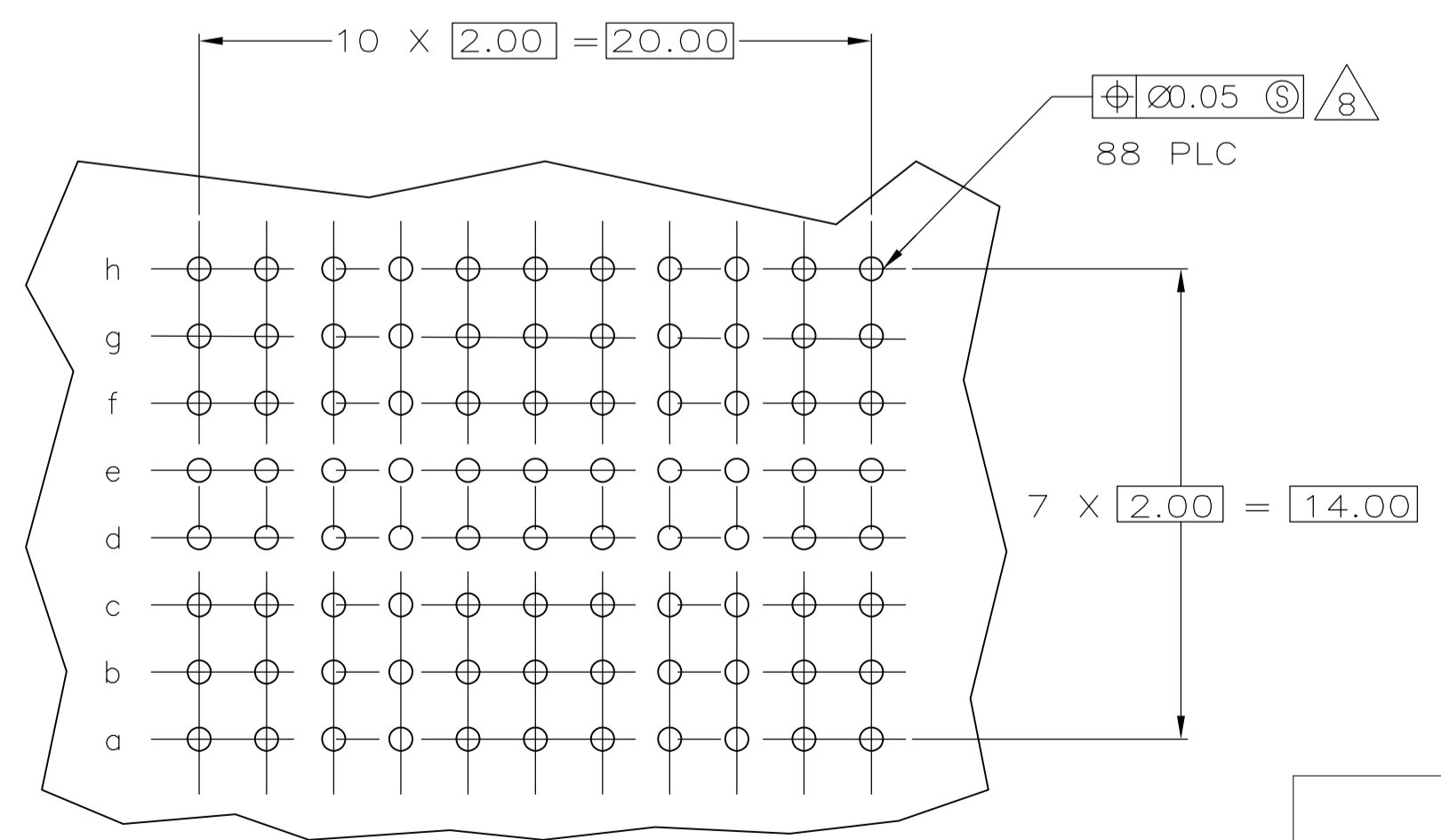
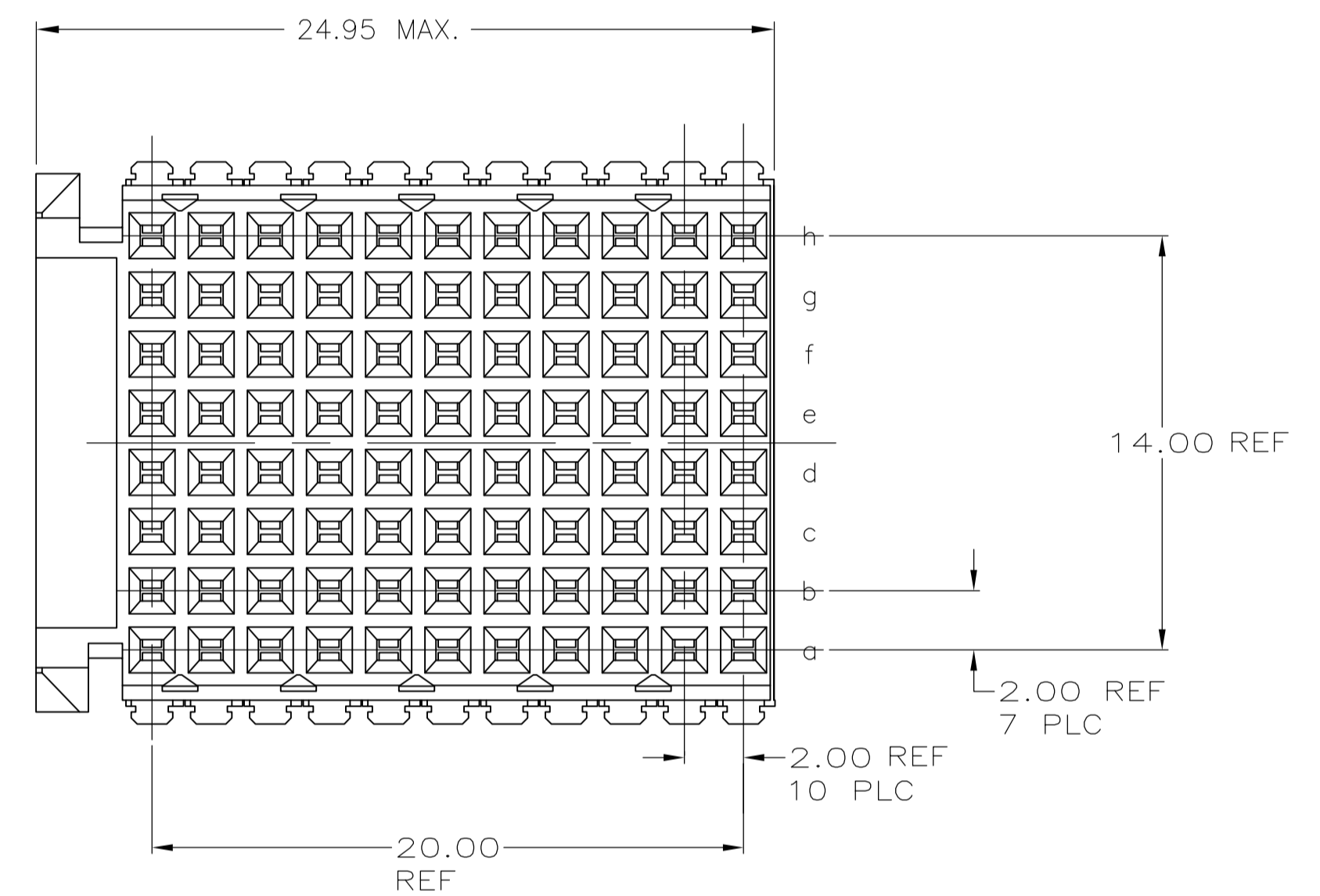
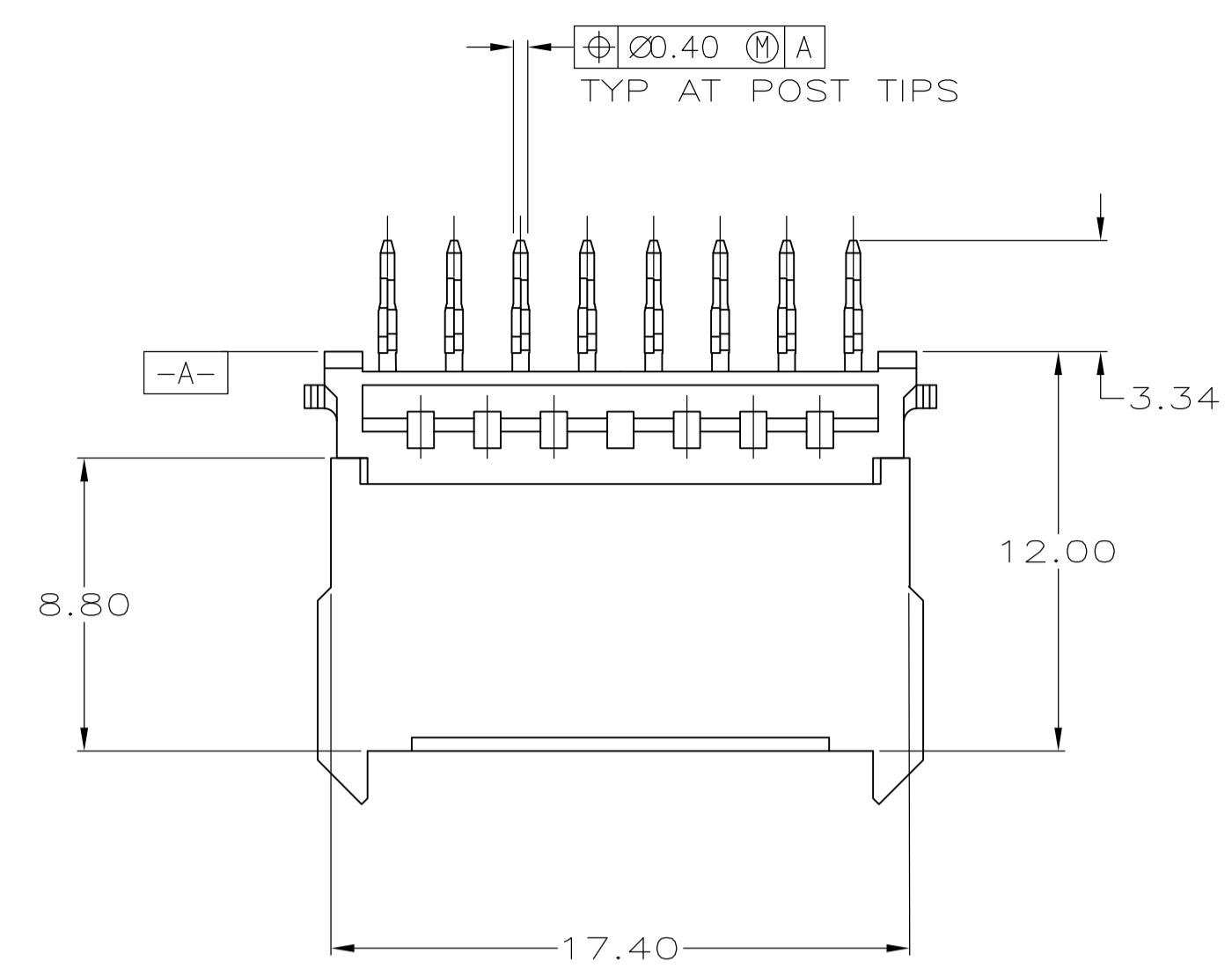
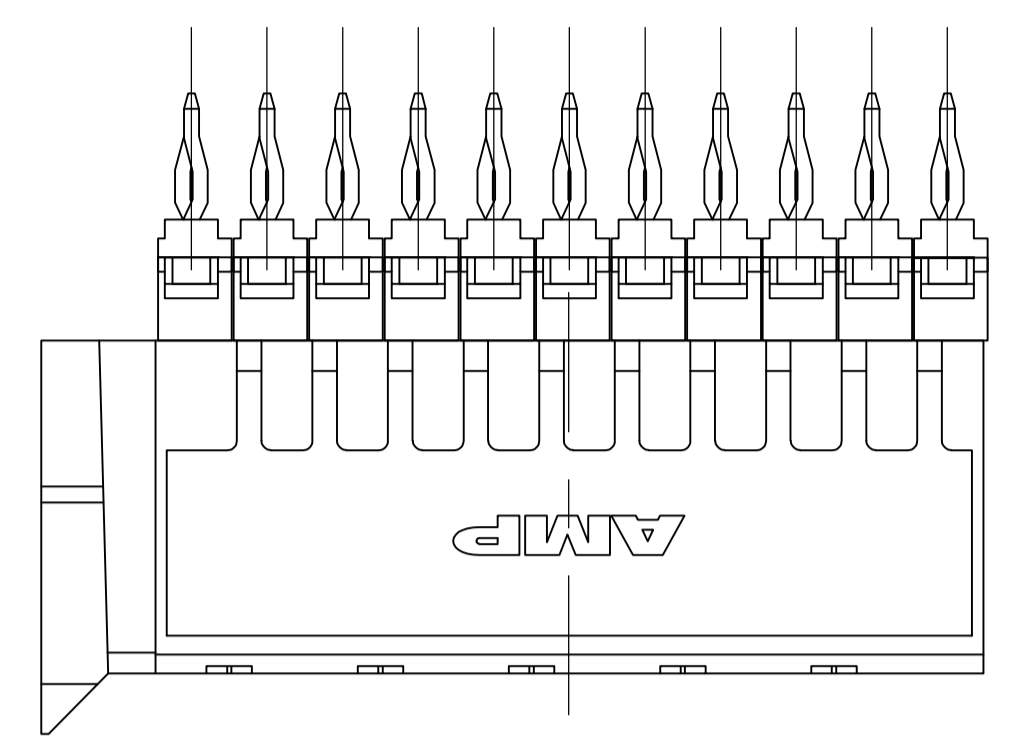


LOC		DIST		REVISIONS			
AD	00	REV	LTR	DESCRIPTION	DATE	DMN	APVD
		D2		REVISED PER ECO-09-021826	07JAN10	KK	AEG
		E		ECR-10-019054	15SEP10	DP	MQW
		F		ECO-11-024491	13DEC11	SY	MQW
		G		ECR-12-009867	07NOV12	SY	AC



PLATED THRU HOLES PARAMETERS
 REFERENCE APPLICATION SPECIFICATION

- 1 MATERIAL:
CONTACT: PHOSPHOR BRONZE.
HOUSING: GLASS-FILLED POLYESTER.
- 2 GENERAL PLATING SPECIFICATION: UNDERPLATING
(ENTIRE CONTACT): 1.27µm MIN NICKEL AND ACTION
PIN: 0.5µm MIN TIN.
FOR PLATING OF MATING SURFACES SEE APPLICABLE
SPECIFICATION REFERENCE FOR EACH DASH NUMBER.
- 3 CONFORMS TO ALL TESTING ACCORDING TO IEC 61076-4-101
PERFORMANCE LEVEL 2.
- 4 CONFORMS TO ALL TESTING ACCORDING TO IEC 61076-4-101
PERFORMANCE LEVEL 1.
- 5 CONNECTOR TESTED AND QUALIFIED AGAINST TELCORDIA GR-1217-CORE QUALITY LEVEL 3,
CENTRAL OFFICE APPLICATIONS.
- 6 CONNECTOR TESTED AND QUALIFIED AGAINST TELCORDIA GR-1217-CORE QUALITY LEVEL 3,
UNCONTROLLED ENVIROMENT APPLICATIONS.
- 7 PART NUMBER MARKED IN APPROXIMATE AREA SHOWN.
ADDITIONAL CHARACTERS OR MARKINGS, AS WELL AS THE LOCATION OF THE MARKINGS,
MAY BE ADDED FOR TRACEABILITY BASED ON MANUFACTURERS DISCRETION.
- 8 PLATED THROUGH HOLES AT 2X2mm SQUARE GRID (88 HOLES).
- 9 CONNECTOR LUBRICATED WITH BELCORE APPROVED LUBRICANT,
TECHNICAL REFERENCE: TR-NWT-001217 ISSUE 1, SEP 1992.
- 10 OBSOLETE PARTS: OBSOLETE CIS STREAMLINING PER D.RENAUD/D.SINISI

10	OBSOLETE	2	6	9	4-646540-9
10	OBSOLETE	2	5	9	-646540-9-
10	OBSOLETE	2	4	9	-646540-4-
		2	3		646540-1
FINISH					PART NUMBER

THIS DRAWING IS A CONTROLLED DOCUMENT.

DIMENSIONS:	TOLERANCES UNLESS OTHERWISE SPECIFIED:	DIN K. STILES 10/12/98	Tyco Electronics Corporation
mm	0-PLC ±	CHK S. MICKIEVICZ 10/12/98	Harrisburg, PA 17105-3608
	1-PLC ±	APVD	NAME
	2-PLC ± 0.13	PRODUCT SPEC	RECEPTACLE ASSEMBLY, VERTICAL, 88 POSN.,
	3-PLC ±	108-1622	TYPE F, 8 ROW, Z-PACK 2mm HM
	4-PLC ±	APPLICATION SPEC	SIZE CAGE CODE DRAWING NO
	ANGLES ±	114-19029	A1 00779 C=646540
MATERIAL	FINISH	WEIGHT	RESTRICTED TO
1	SEE TABLE	—	—
CUSTOMER DRAWING		SCALE 5:1	SHEET 1 OF 1 REV G

单击下面可查看定价，库存，交付和生命周期等信息

[>>TE Connectivity\(泰科\)](#)