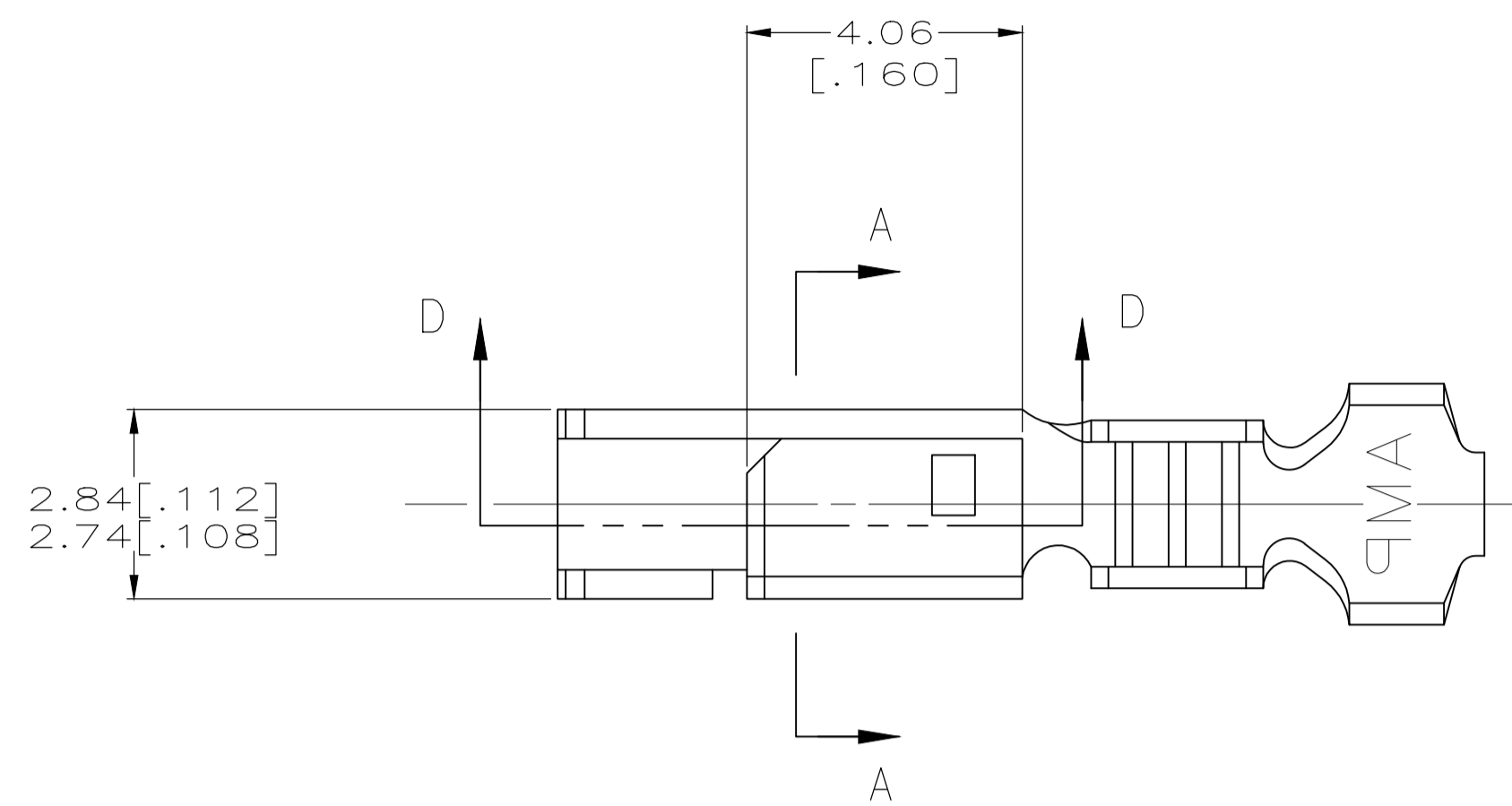
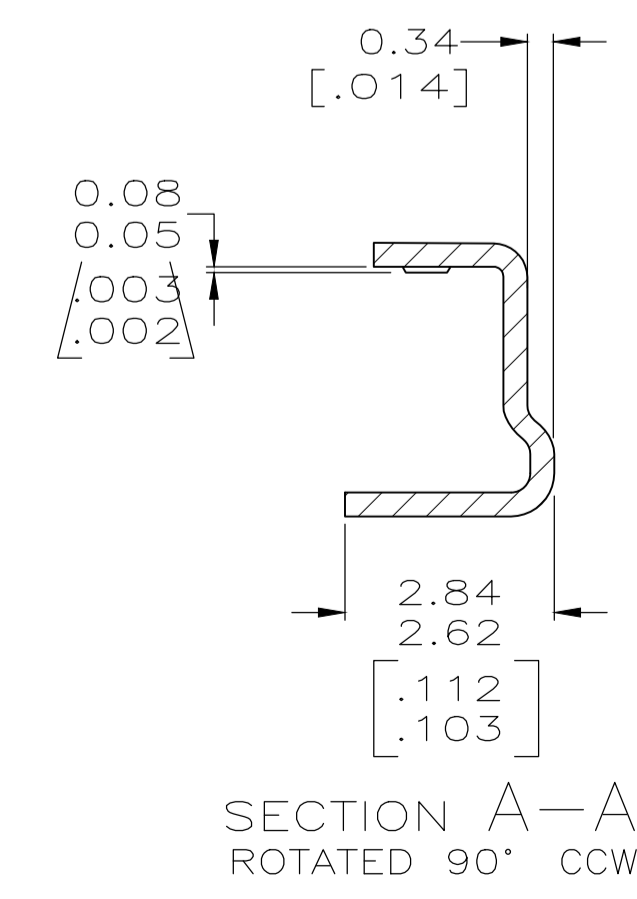
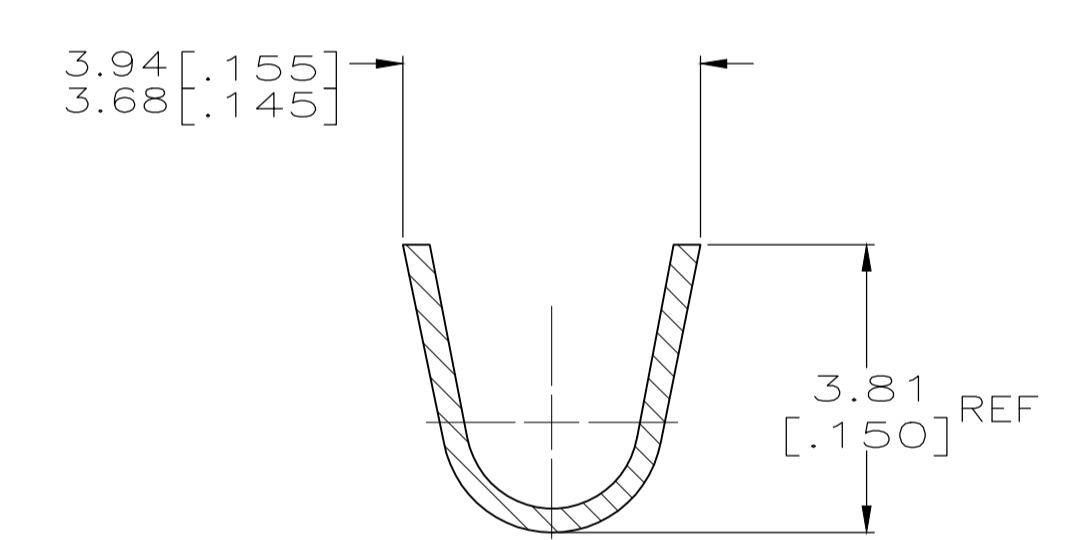
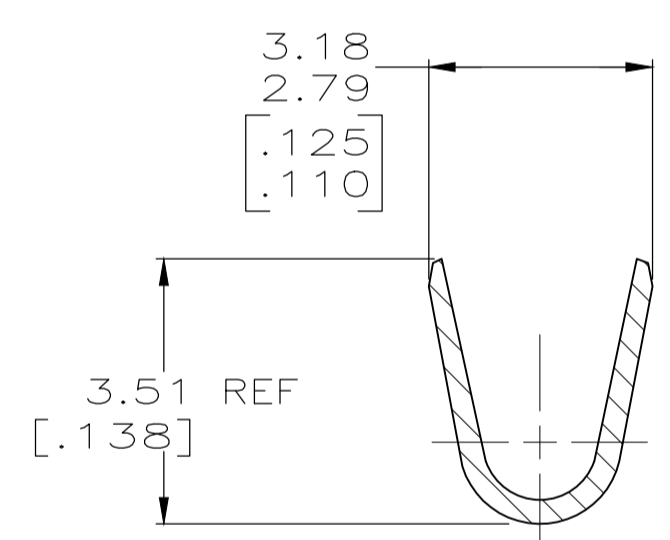
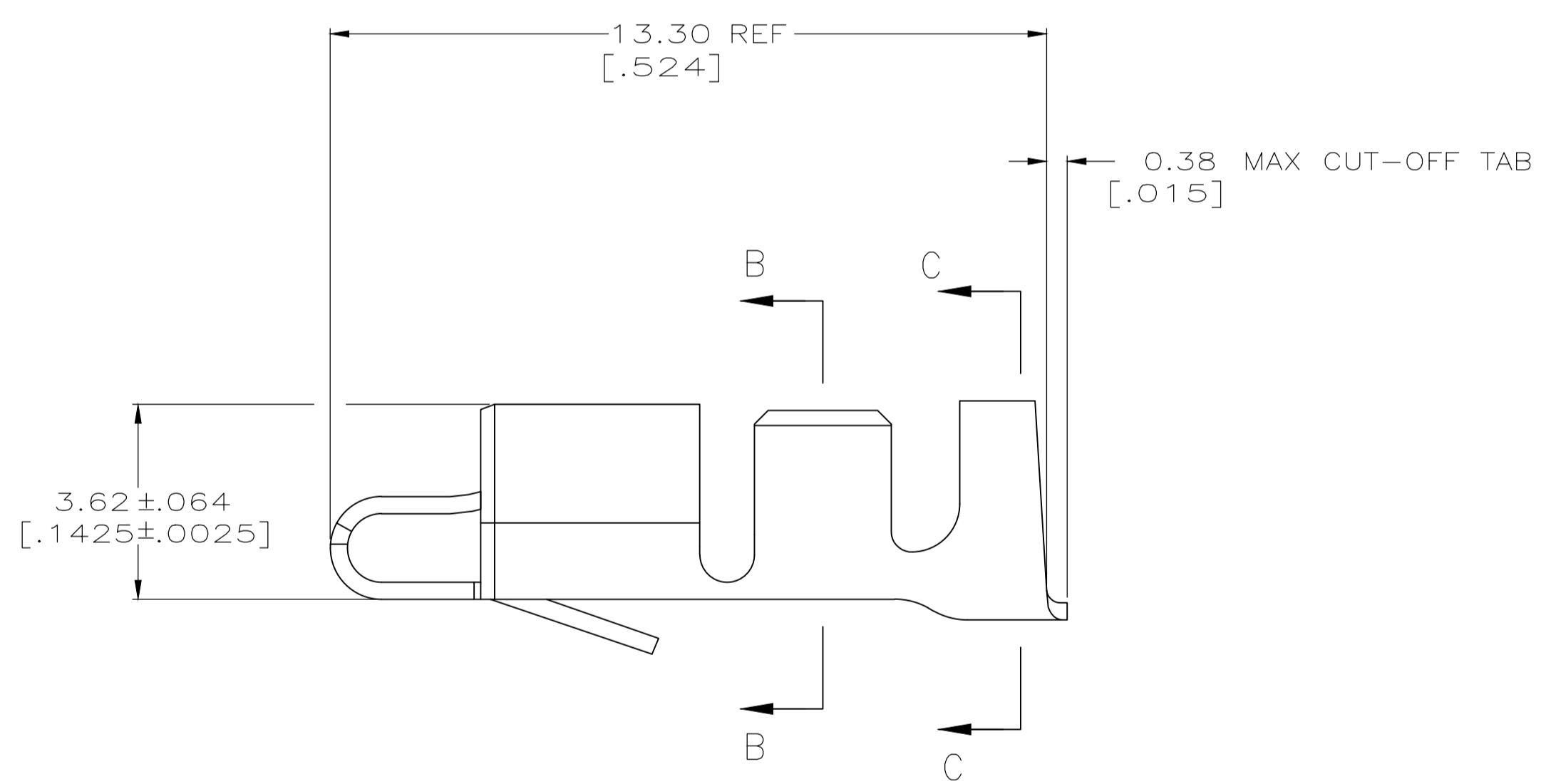
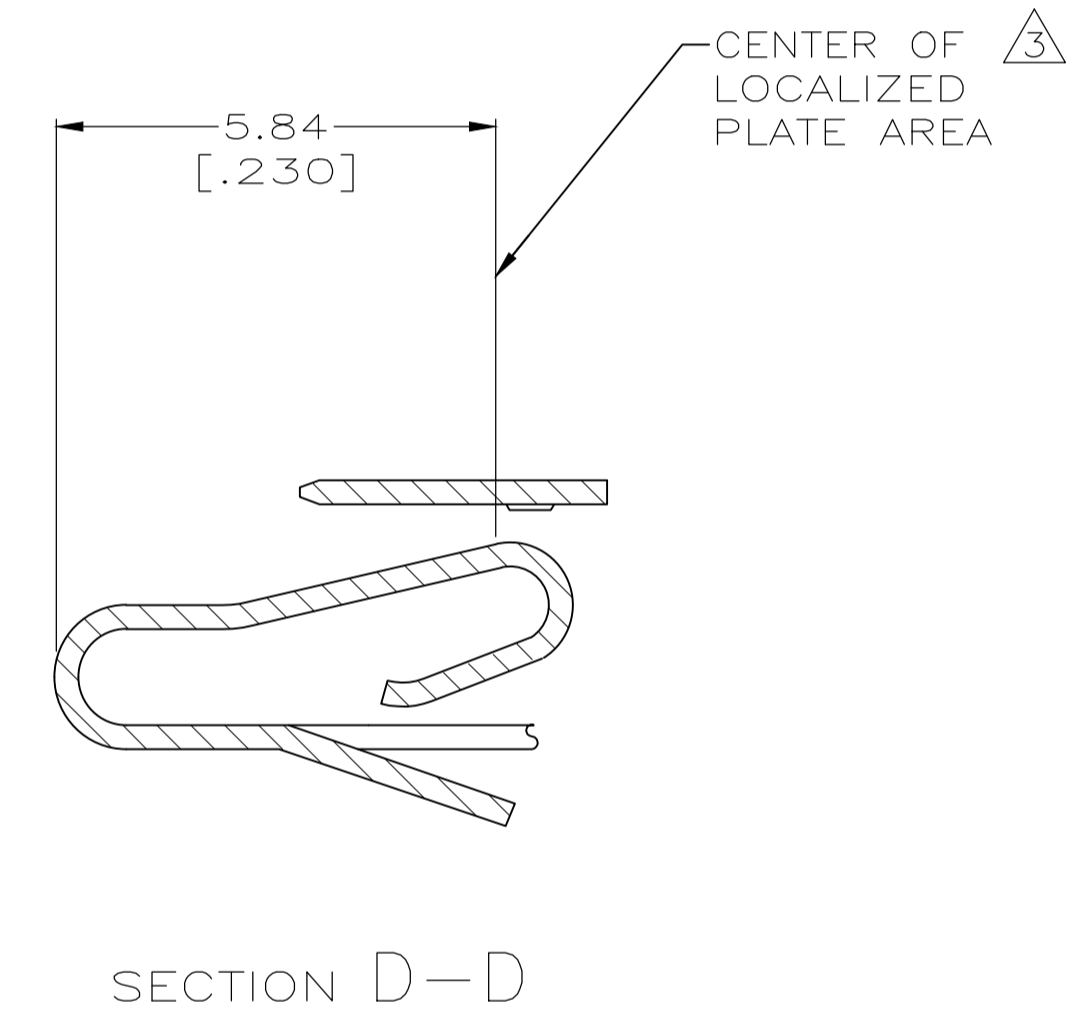


REVISIONS				
P	LTR	DESCRIPTION	DATE	BY
B		REVISED PER ECR-18-019874	19MAR2019	BDA SG



- INSULATION RANGE: 1.78-2.84 [.070-.112]  
 WIRE RANGE: NOT TO EXCEED 2550-2800 CMA (1.29-1.42 mm<sup>2</sup>) (LIMITED 16 AWG RANGE).
- 0.00203 [.000080] MIN MATTE TIN-LEAD OVER  
 0.00127 [.000050] MIN NICKEL.
- 0.00076 [.000030] MIN THICK GOLD STRIPES IN LOCALIZED PLATE AREA ON BEAM AND DIMPLE OVER  
 0.00127 [.000050] MIN THICK NICKEL OVER ENTIRE CONTACT.
- DIMENSIONS IN BRACKETS ARE IN INCHES.
- FOR USE ONLY WITH LID STYLE HOUSING.
- 0.00203 [.000080] MIN MATTE TIN OVER  
 0.00127 [.000050] MIN NICKEL.
- OBSELETE



△6	3-647485-1
△3	647485-2
△2	647485-1
FINISH	PART NUMBER

THIS DRAWING IS A CONTROLLED DOCUMENT.		DIN K. WHITAKER 15-JAN-2001		APVD J. ELLIS 15-JAN-2001	
DIMENSIONS: mm [INCHES]		TOLERANCES UNLESS OTHERWISE SPECIFIED:		MATERIAL PH BRZ	
0 PLC	± -	1 PLC	± -	2 PLC	± -
3 PLC	± .005	4 PLC	± -	ANGLES	± -
FINISH SEE TABLE		WEIGHT 0.000000		CUSTOMER DRAWING	
APVD J. ELLIS 15-JAN-2001		NAME SL-156 HOODED RECEPTACLE, LARGE WIRE CONTACT, LOOSE PIECE		SIZE CAGE CODE DRAWING NO. RESTRICTED TO	
PRODUCT SPEC 108-1049		APPLICATION SPEC 114-1021		A1 00779 C=647485	
SCALE 10:1		SHEET 1 of 1		REV B	

单击下面可查看定价，库存，交付和生命周期等信息

[>>TE Connectivity\(泰科\)](#)