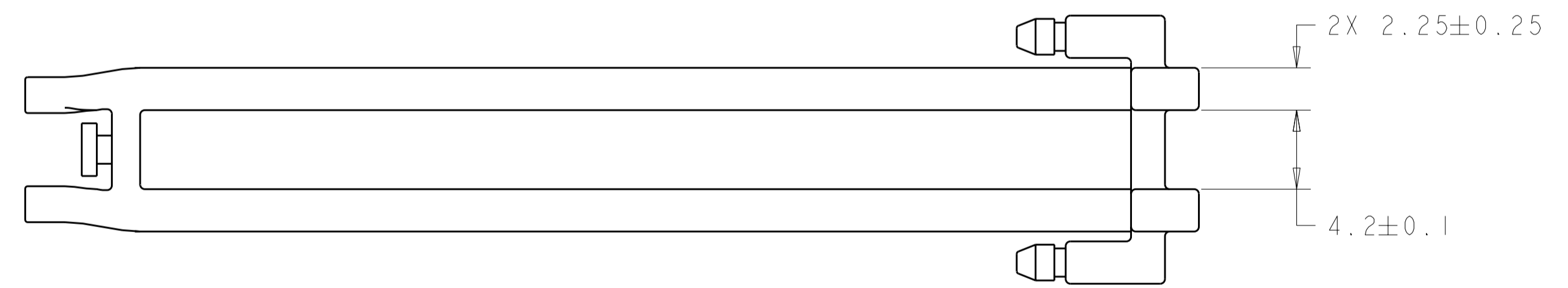
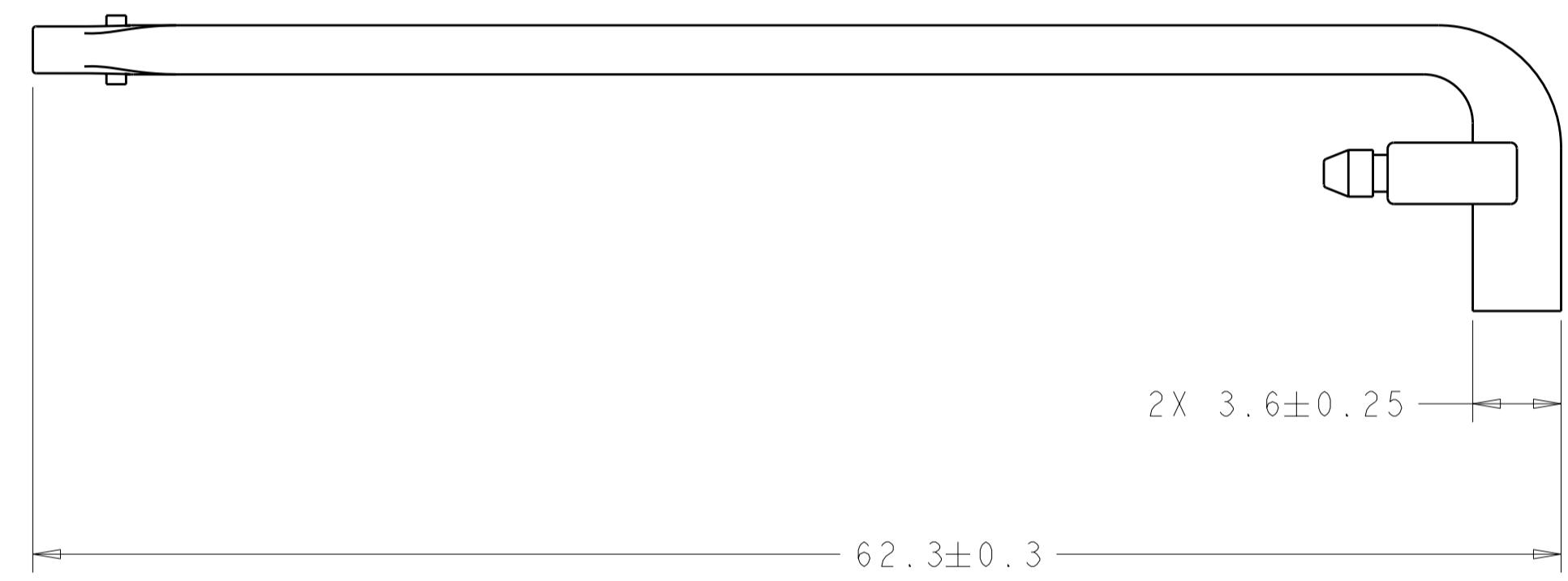
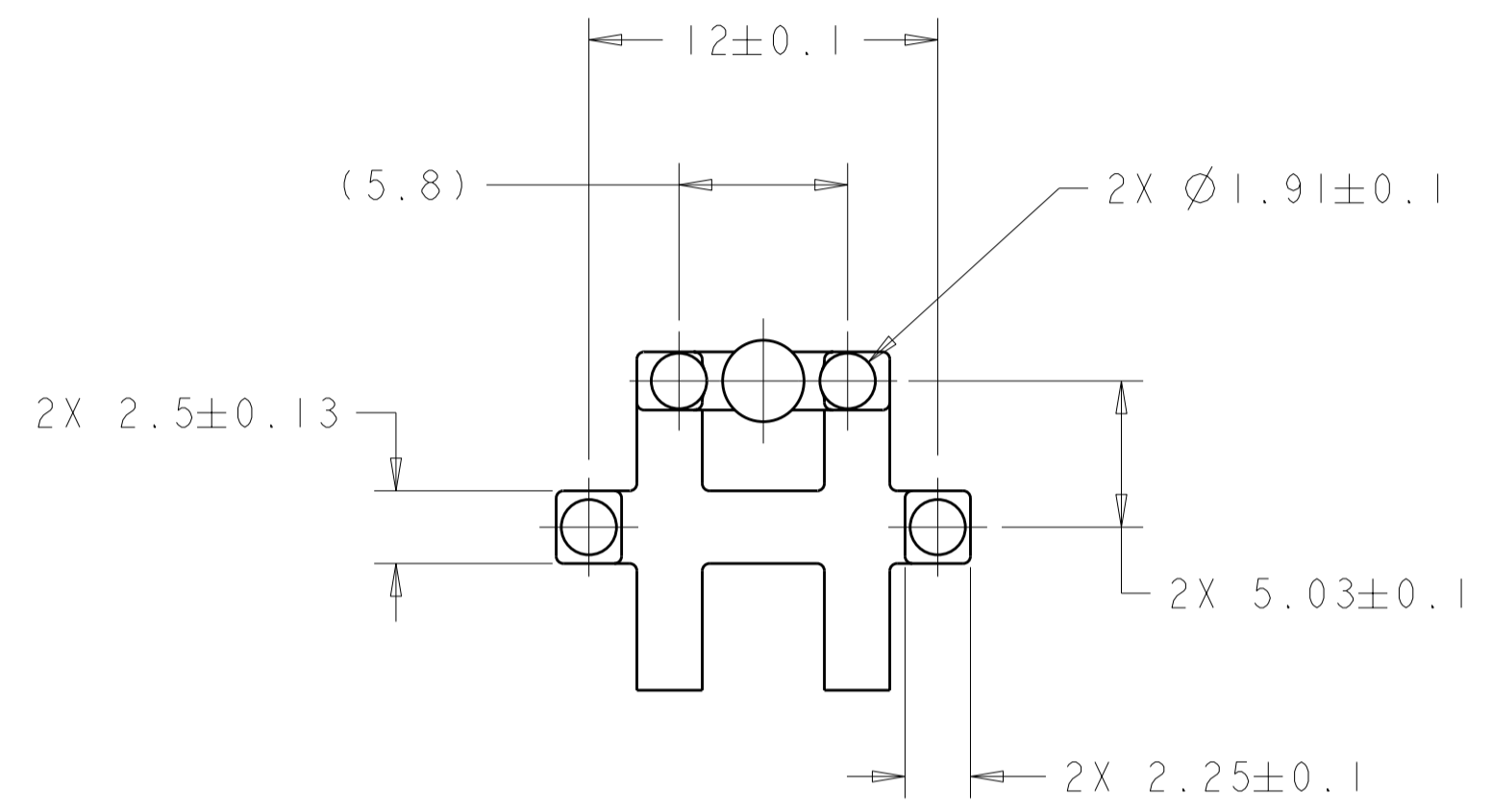


THIS DRAWING IS UNPUBLISHED. RELEASED FOR PUBLICATION 2007
 © COPYRIGHT 2007 BY TYCO ELECTRONICS CORPORATION. ALL RIGHTS RESERVED.

LOC	DIST	REVISIONS					
GP	00	P	LTR	DESCRIPTION	DATE	DWN	APVD
			A	RELEASED PER ECO-10-022081	29OCT2010	JTL	EDB

△ MATERIAL: POLYCARBONATE, CLEAR, UL94V-2 RATED.



2007309-1
PART NUMBER

THIS DRAWING IS A CONTROLLED DOCUMENT FOR TYCO ELECTRONICS CORPORATION. IT IS SUBJECT TO CHANGE AND THE CONTROLLING ENGINEERING ORGANIZATION SHOULD BE CONTACTED FOR THE LATEST REVISION.		DWN C. VALENTINE 30AUG2007	Tyco Electronics Harrisburg, PA 17105-3608	
DIMENSIONS: mm		CHK E. BRIGHT 30AUG2007	NAME DOUBLE LIGHT PIPE, THRU BEZEL, QSFP	
TOLERANCES UNLESS OTHERWISE SPECIFIED: 0 PLC ± 1 PLC ±0.5 2 PLC ±0.13 3 PLC ±0.013 4 PLC ±0.0001 ANGLES ± FINISH		APVD E. BRIGHT 30AUG2007	PRODUCT SPEC -	
MATERIAL △		APPLICATION SPEC 114-13218	SIZE A200779	DRAWING NO C-2007309
		WEIGHT -	RESTRICTED TO -	
		CUSTOMER DRAWING	SCALE 4:1	SHEET 1 OF 1 REV A

单击下面可查看定价，库存，交付和生命周期等信息

[>>TE Connectivity\(泰科\)](#)