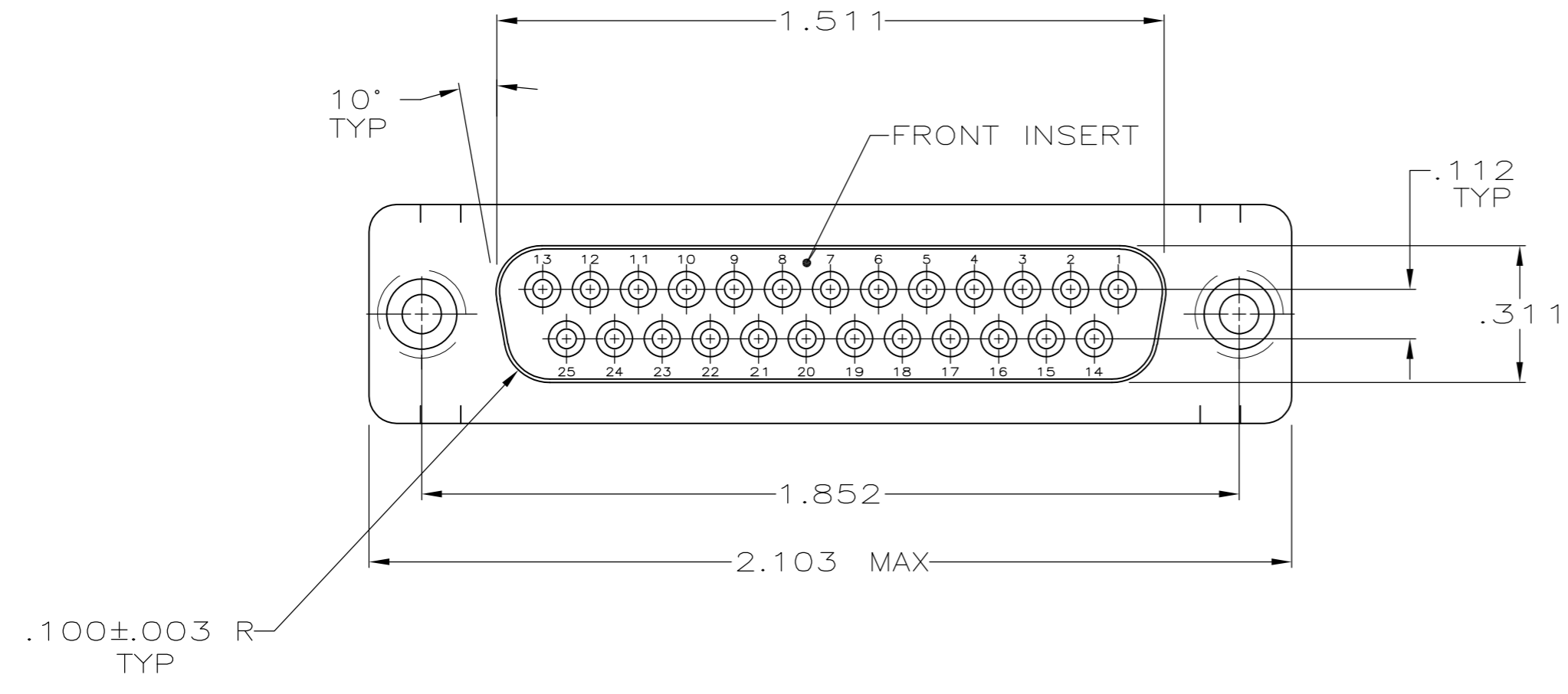
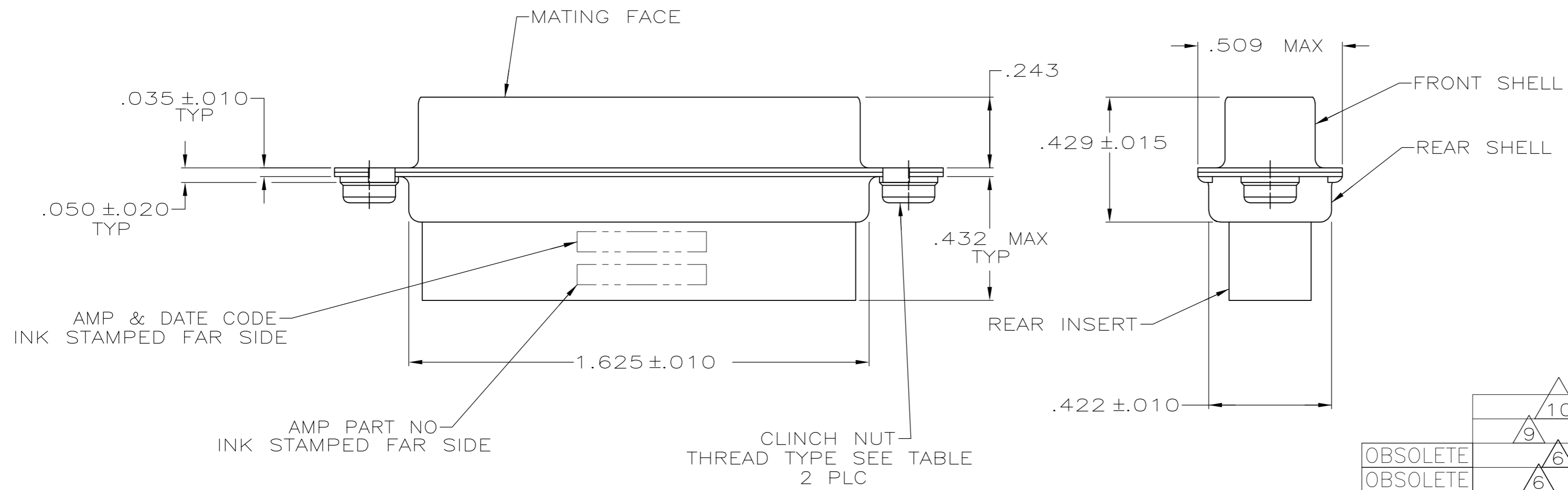


THIS DRAWING IS UNPUBLISHED. RELEASED FOR PUBLICATION
 © COPYRIGHT - By - ALL RIGHTS RESERVED.

LOC	DIST	REVISIONS			
P	LTR	DESCRIPTION	DATE	DWN	APVD
GP	00				
	G	REVISED PER ECO-14-011808	09AUG2014	AP	SB



1. WIRE INSULATION SIZE RECOMMENDED FOR USE WITH THIS RECEPTACLE IS .068 DIA MAX.
 2. TO INSERT AND REMOVE CONTACTS USE TOOL 91067-2.
 3. CONTACT RETENTION TINES ARE AN INTEGRAL PART OF INSERT.
- △4 CARBON STEEL.
 - △5 ZINC PLATED YELLOW CHROMATE.
 - △6 .000200 MIN TIN OR TIN-LEAD PLATE OVER .000100 COPPER UNDERPLATE.
 - △7 GLASS-FILLED PBT OR GLASS-FILLED NYLON, UL94V-0 RATED. COLOR: BLACK
 - △8 ZINC PLATED CLEAR CHROMATE.
 - △9 .000200 MIN TIN PLATE OVER .000100 MIN COPPER UNDERPLATE.
 - △10 ZINC PLATED .000200-.000400 THICK, YELLOW TRIVALENT CHROMIUM CHROMATE COATING.



	△10	△8	4-40	207516-6
	△9	△8	4-40	207516-5
OBSELETE	△6	△5	M-3	207516-4
OBSELETE	△6	△8	4-40	207516-3
OBSELETE	-	-	-	207516-2
OBSELETE	△5	△8	4-40	207516-1
	SHELL FINISH	CLINCH NUT FINISH	THREAD	PART NUMBER

THIS DRAWING IS A CONTROLLED DOCUMENT.

DWN	H MOLL	11 APR 91
CHK	R.STONE	17 APR 91
APVD	-	-
NAME	TE Connectivity	
PRODUCT SPEC	108-10020	
APPLICATION SPEC	-	
WEIGHT	-	-
SIZE	A2	00779
CAGE CODE	C=207516	-
DRAWING NO	-	
RESTRICTED TO	-	
SCALE	3:1	SHEET 1 of 1
REV	G	-

CUSTOMER DRAWING

单击下面可查看定价，库存，交付和生命周期等信息

[>>TE Connectivity\(泰科\)](#)