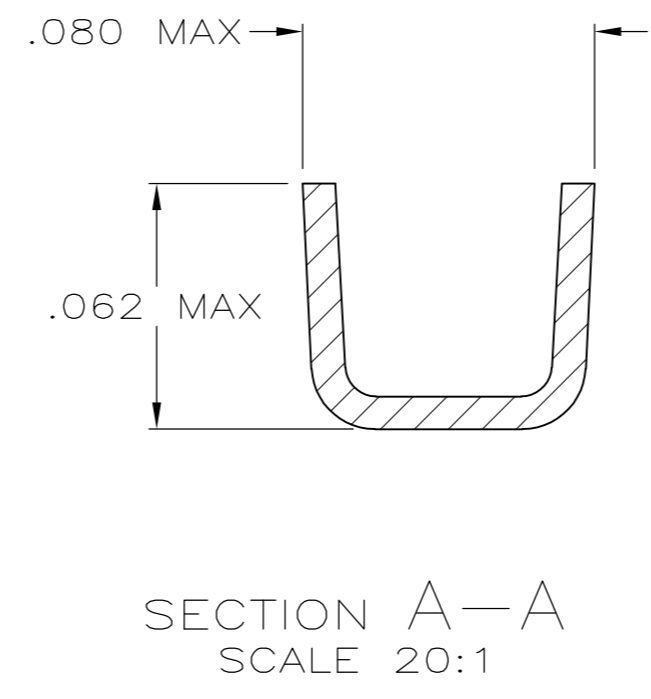
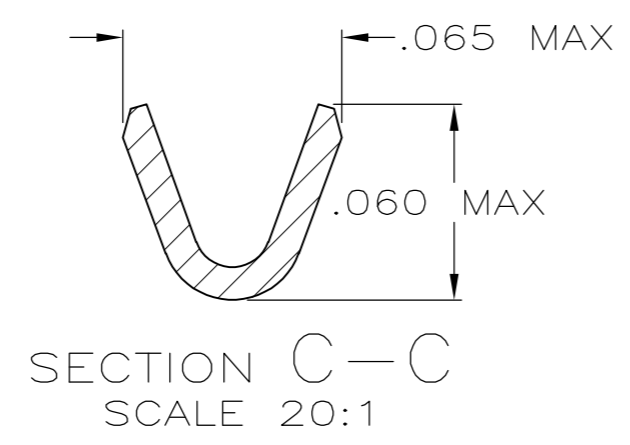
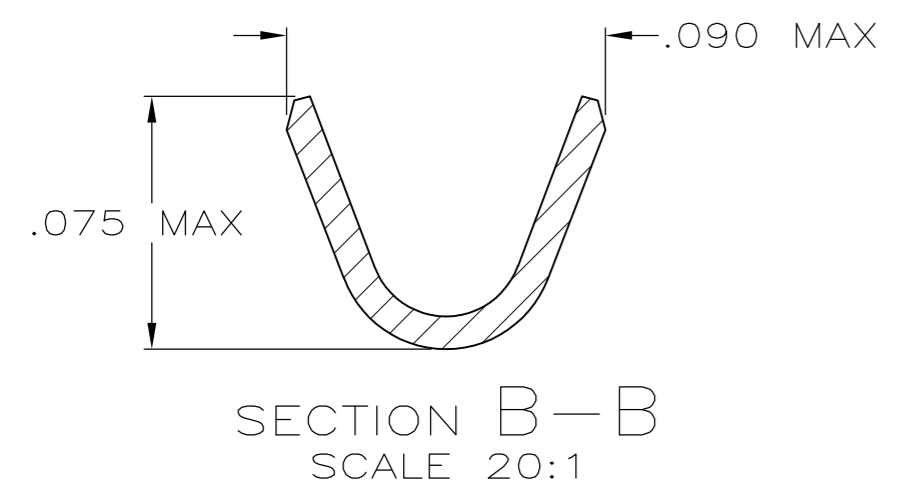
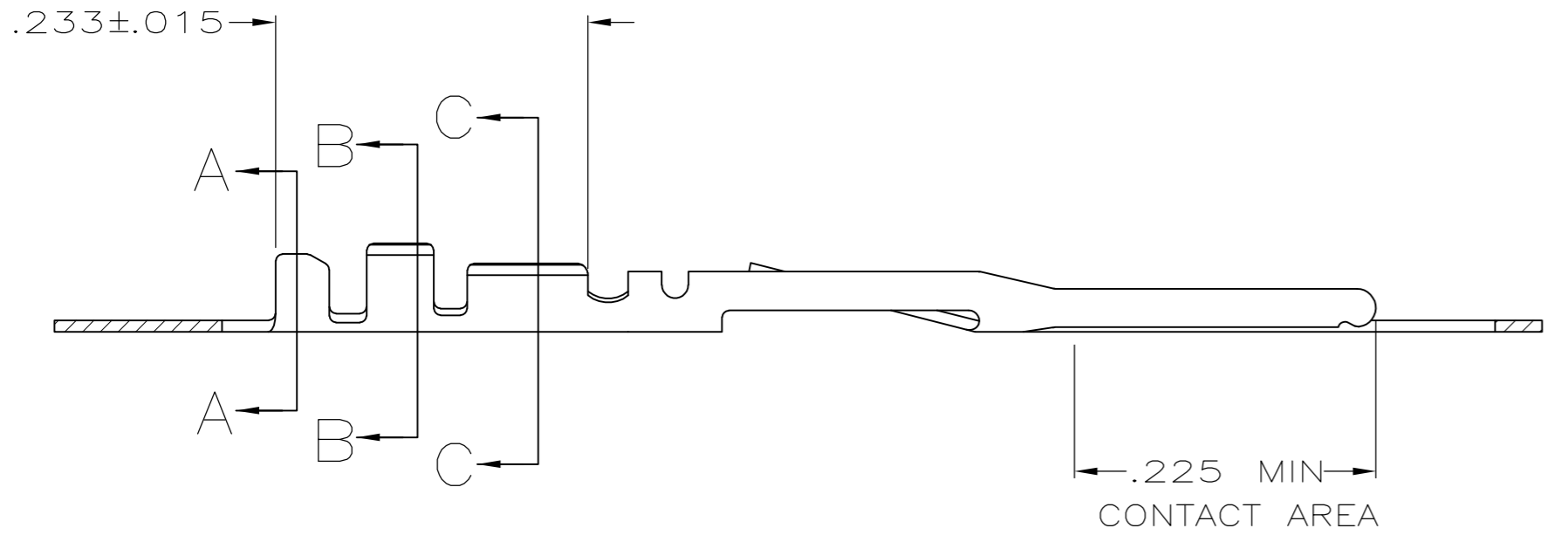
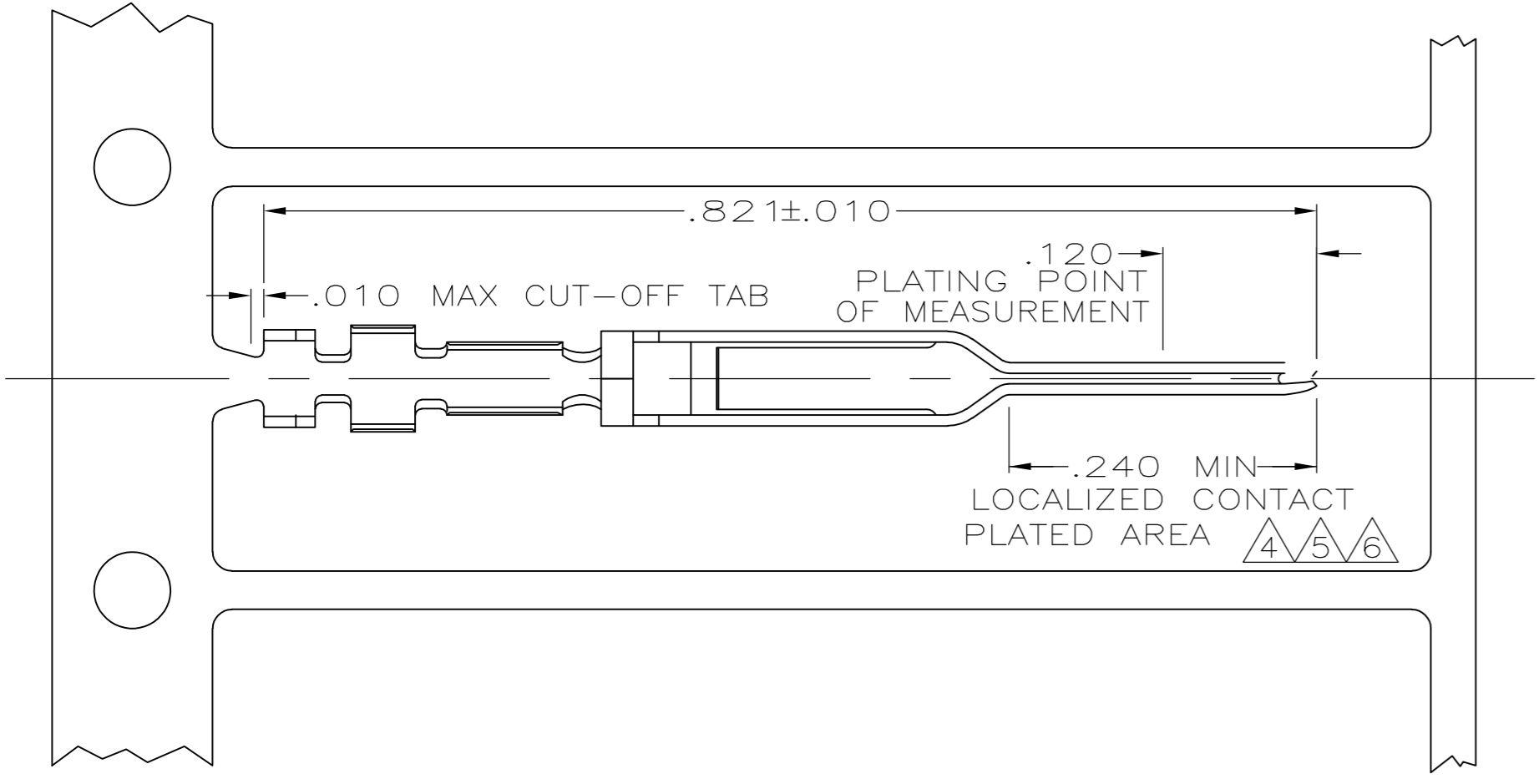


THIS DRAWING IS UNPUBLISHED. RELEASED FOR PUBLICATION
 © COPYRIGHT BY TYCO ELECTRONICS CORPORATION. ALL RIGHTS RESERVED.

LOC	DIST	REVISIONS					
GP	00	P	LTR	DESCRIPTION	DATE	DWN	APVD
		W		REVISED PER ECO-09-001588	25JUN2009	CJV	CWR
		W1		REVISED PER ECO-09-021826	01SEP09	KK	AEG



- 1 FOR STD APPLICATOR.
- 2 FOR MINI APPLICATOR.
- 3 FINISH: .000100 MIN THK BRIGHT-TIN LEAD OVER .000050 MIN THK NICKEL ON ENTIRE CONTACT.
- 4 FINISH: GOLD FLASH ALL OVER, .000015 THK GOLD IN LOCALIZED CONTACT PLATING AREA OVER .000050 MIN THK NICKEL ON ENTIRE CONTACT,
-OR-
GOLD FLASH OVER PALLADIUM-NICKEL, .000015 MIN TOTAL THK IN LOCALIZED CONTACT PLATING AREA AND GOLD FLASH ON REMAINDER OVER .000050 MIN NICKEL ON ENTIRE CONTACT.
- 5 FINISH: GOLD FLASH ALL OVER, .000030 THK GOLD IN LOCALIZED CONTACT PLATING AREA OVER .000050 MIN THK NICKEL ON ENTIRE CONTACT.
- 6 FINISH: GOLD FLASH ALL OVER, .000050 THK GOLD IN LOCALIZED CONTACT PLATING AREA OVER .000050 MIN THK NICKEL ON ENTIRE CONTACT.
- 7. FOR 26-32 AWG WIRE WITH AN INSULATION RANGE OF .025-.048 DIA.
- 8 OBSOLETE PART NO.
- 9 FINISH: .000100 MIN THK MATTE TIN OVER .000050 MIN THK NICKEL ON ENTIRE CONTACT.
- 10 OBSOLETE PARTS: OBSOLETE CIS STREAMLINING PER D.RENAUD/D.SINISI

10	8	9	6	5	4	3	2	1
OBSOLETE	-	2	9	1-88048-4				
	-	LOOSE PIECE	6	8	1-88048-3			
	-	2	6	8	1-88048-2			
	-	1	6	8	1-88048-1			
	-	LOOSE PIECE	5	8	1-88048-0			
	-	1	5	8	88048-9			
	-	2	5	8	88048-8			
	-	1	3	8	88048-7			
	-	1	4	8	88048-6			
88048-4	LOOSE PIECE	4	4	88048-5				
-	2	4	4	88048-4				
88048-2	LOOSE PIECE	3	3	88048-3				
-	2	3	8	88048-2				
SUPERSEDED BY		REMARKS		FINISH		PART NO.		

THIS DRAWING IS A CONTROLLED DOCUMENT.

DWN J. GALLUCCI 6-27-89
 CHK D.L. ROCKER 6-28-89
 APVD -

Tyco Electronics Tyco Electronics Corporation
 Harrisburg, PA 17105-3608

NAME CONTACT, PIN, .025 SQ
 ROUND WIRE, .100CL,
 FFC

PRODUCT SPEC 108-9024
 APPLICATION SPEC 114-16003

SIZE A2 CAGE CODE 00779 DRAWING NO C=88048 RESTRICTED TO -

MATERIAL PHOS. BRONZE FINISH SEE TABLE WEIGHT -

CUSTOMER DRAWING SCALE 8:1 SHEET 1 OF 1 REV W1

单击下面可查看定价，库存，交付和生命周期等信息

[>>TE Connectivity\(泰科\)](#)