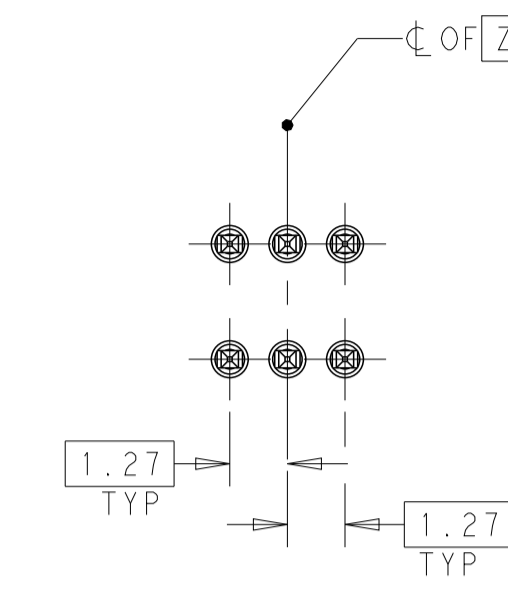
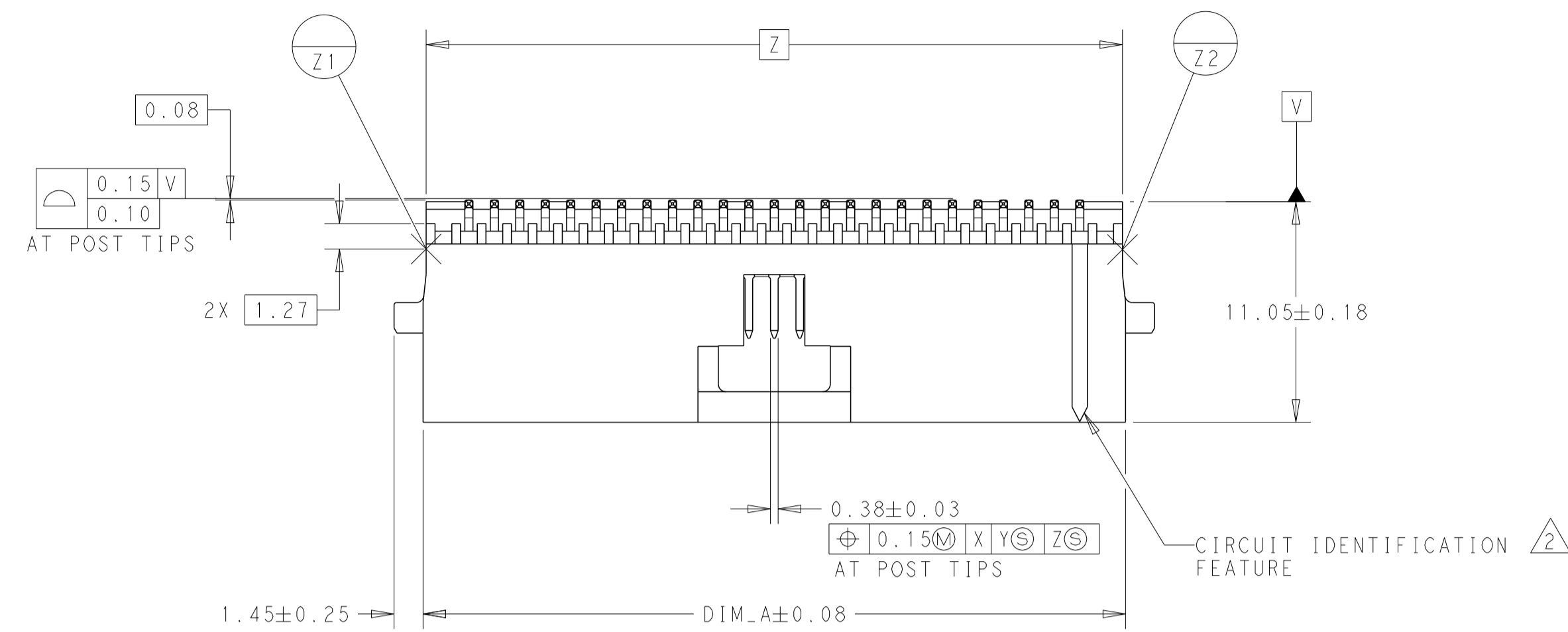
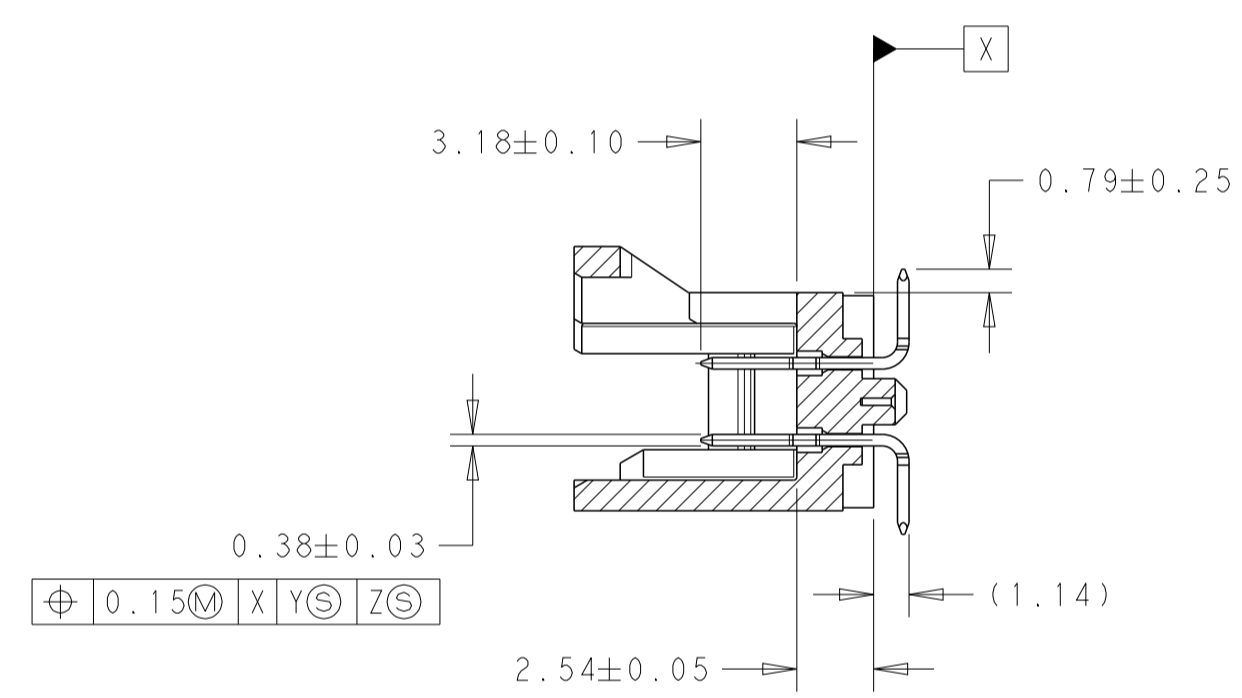
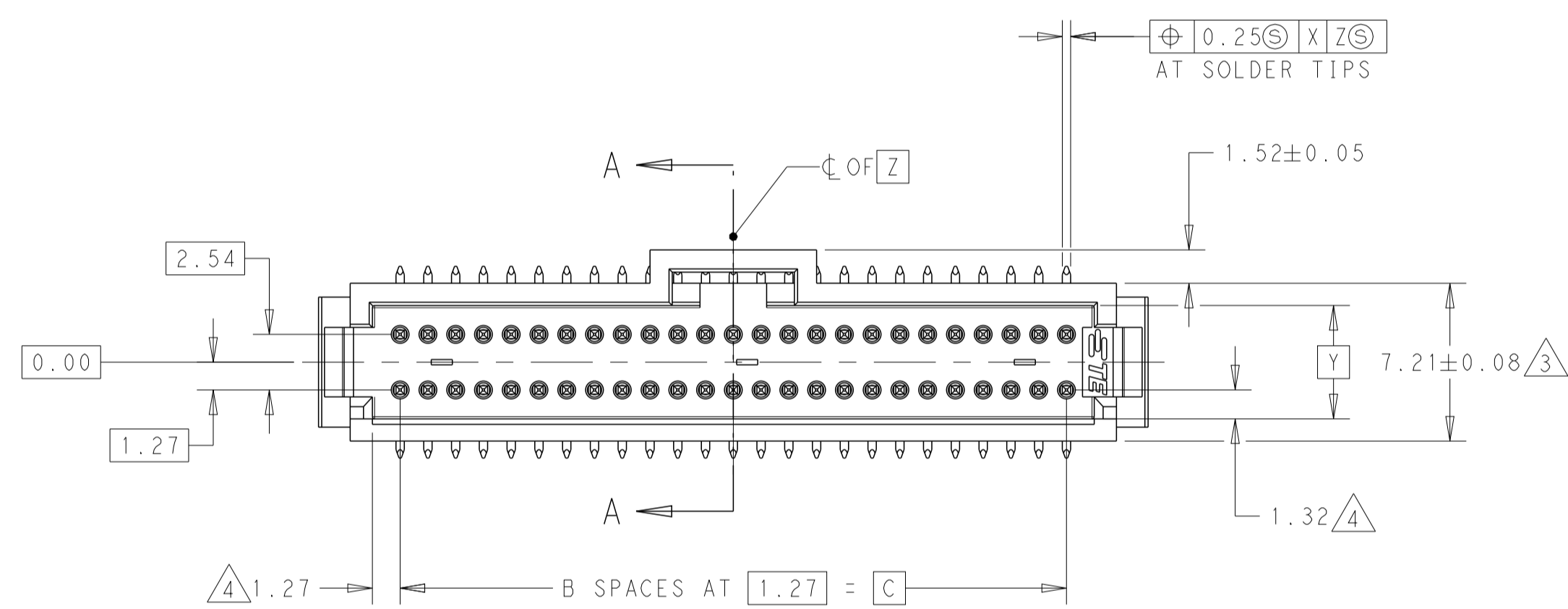


REVISIONS					
P	LTN	DESCRIPTION	DATE	DWN	APVD
E		REDRAWN/REVISED PER ECO-17-001755	05DEC2017	KS	JO
E1		REVISED PER ECO-18-008119	25MAY2018	RS	JO
E2		REVISED PER ECO-20-013313	21SEP2020	SG	JO

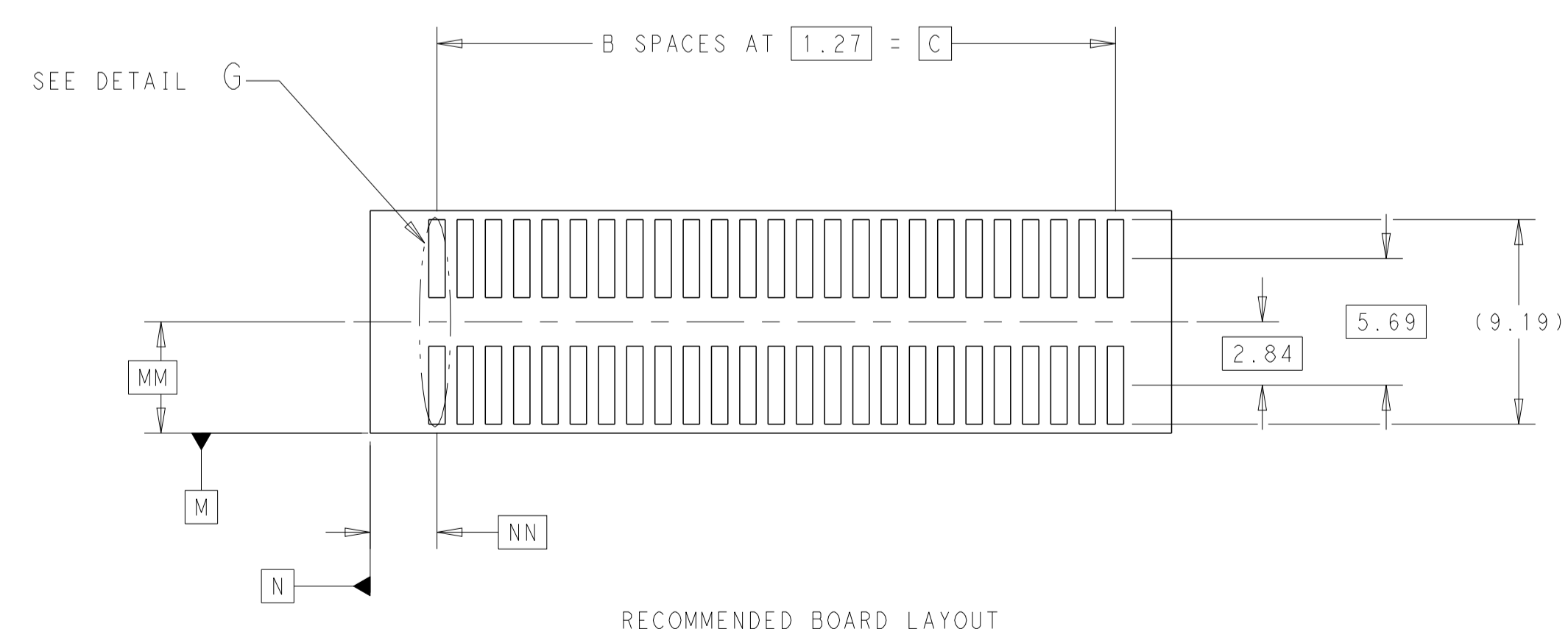


BASIC DIMENSIONS FOR EVEN NUMBER OF SPACES (SEE TABLE) SCALE 6:1

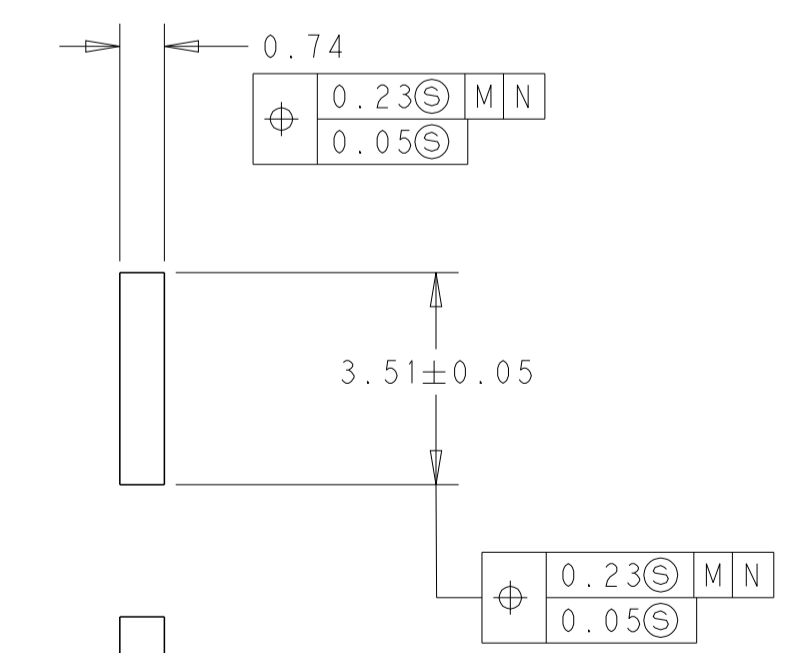
- 1 0.76 μm GOLD IN LOCALIZED PLATE AREA, 3.81 μm TIN ON SOLDER TAILS ALL OVER 1.27 μm NICKEL.
- 2 CIRCUIT IDENTIFICATION FEATURE OMITTED ON 10 POSITION HEADER ASSEMBLIES.
- 3 DIMENSION APPLIES AT BASE OF SHROUD.
- 4 THE NOTED DIMENSIONS APPLY AT THE MATING FACE OF THE HOUSING
5. NOTE DELETED.
- 6 HOUSING: BLACK THERMOPLASTIC. CONTACT: COPPER ALLOY.
- 7 FINISH: 0.03 μm MIN GOLD ON GOLD PLATED AREA, 3.81 μm MATTE TIN ON TIN PLATE AREA, UNDER PLATING TO BE 1.27 μm NICKEL ON ENTIRE CONTACT, GOLD AND TIN PLATING MAY NOT OVERLAP.
8. DELETED.
- 9 PACKAGED IN TAPE AND REEL PER EIA 481 SPECIFICATIONS



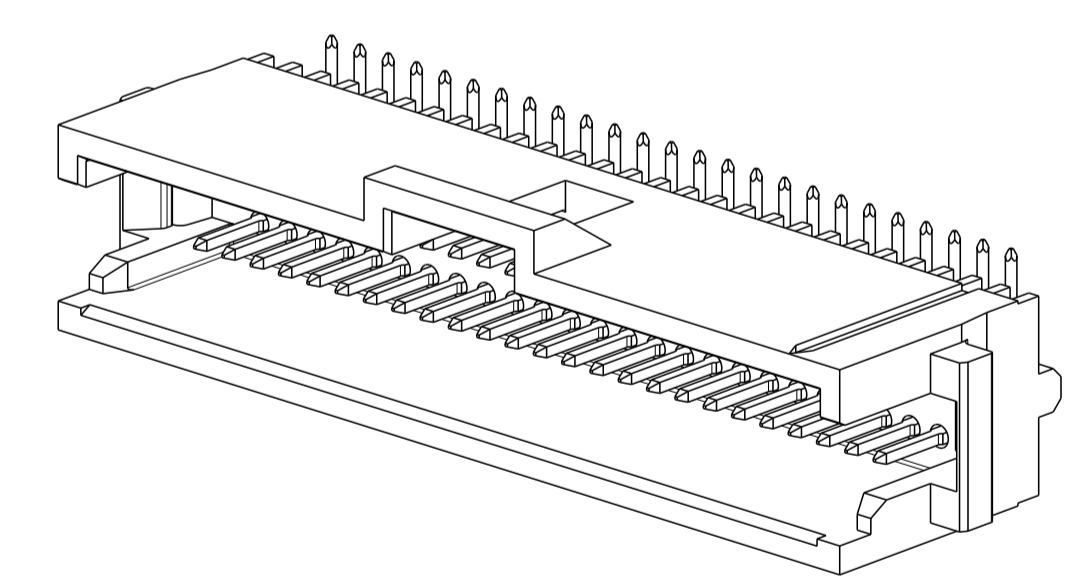
SECTION A-A



RECOMMENDED BOARD LAYOUT



DETAIL G SCALE 8:1



FINISH	TAPE WIDTHS	DIM.C	B SPACES	DIM.A	NO OF POSN	PART NUMBER	
△		56 mm	17.78	14	22.35	30	3-1825601-0
△		44 mm	11.43	9	16.00	20	2-1825601-0
△		56 mm	30.48	24	35.05	50	1825601-1

THIS DRAWING IS A CONTROLLED DOCUMENT.

OWN: R. SHRISHAIL 05DEC2017
 CHK: J. OLSON 05DEC2017
 APVD: J. OLSON 05DEC2017

DIMENSIONS: mm
 0 PLC ±0.3
 2 PLC ±0.13
 3 PLC ±0.13
 4 PLC ±0.13
 ANGLES ±0.5°

TOLERANCES UNLESS OTHERWISE SPECIFIED:

MATERIAL: △
 FINISH: SEE TABLE

PRODUCT SPEC: 108-1093
 APPLICATION SPEC: 114-25035

WEIGHT: -

CUSTOMER DRAWING

NAME: HEADER ASSEMBLY, W/SIDE & END LATCHES, VERTICAL, SHROUDED, DOUBLE ROW, SURFACE MOUNT, W/O HOLD-DOWNS, AMPMODU System 50

SIZE: A
 CAGE CODE: 100779
 DRAWING NO: 1825601

RESTRICTED TO: E2

SCALE: 4:1
 SHEET: 1 OF 1

单击下面可查看定价，库存，交付和生命周期等信息

[>>TE Connectivity\(泰科\)](#)