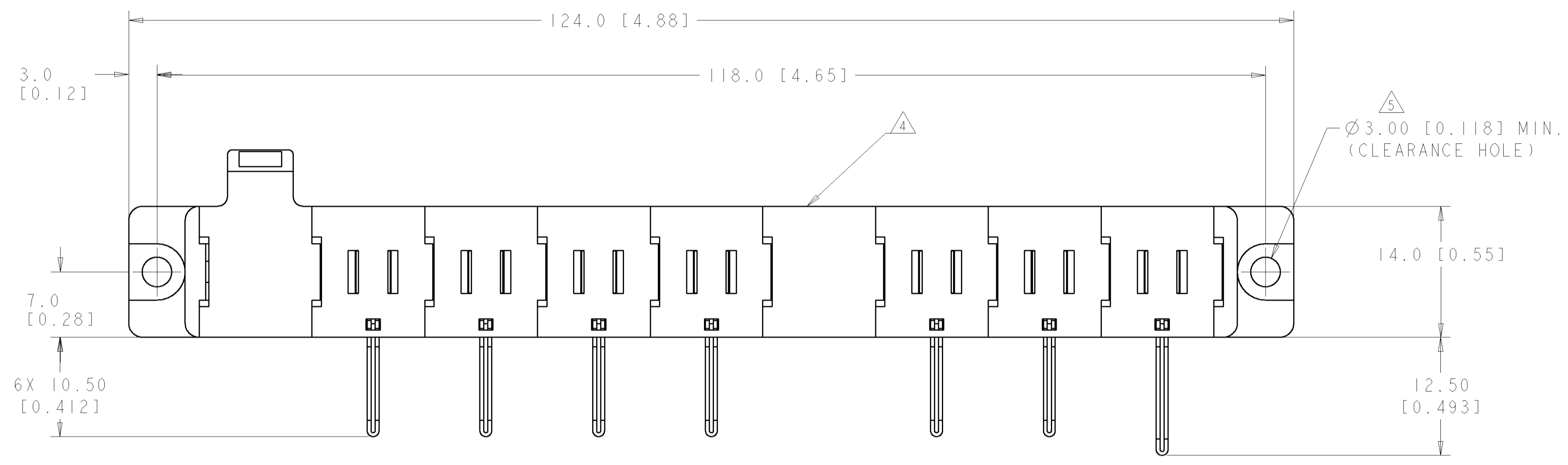


LOC	DIST	REV	DESCRIPTION	DATE	DWN	APVD
GP	00	A	RELEASED	20JULY06	RG	SF

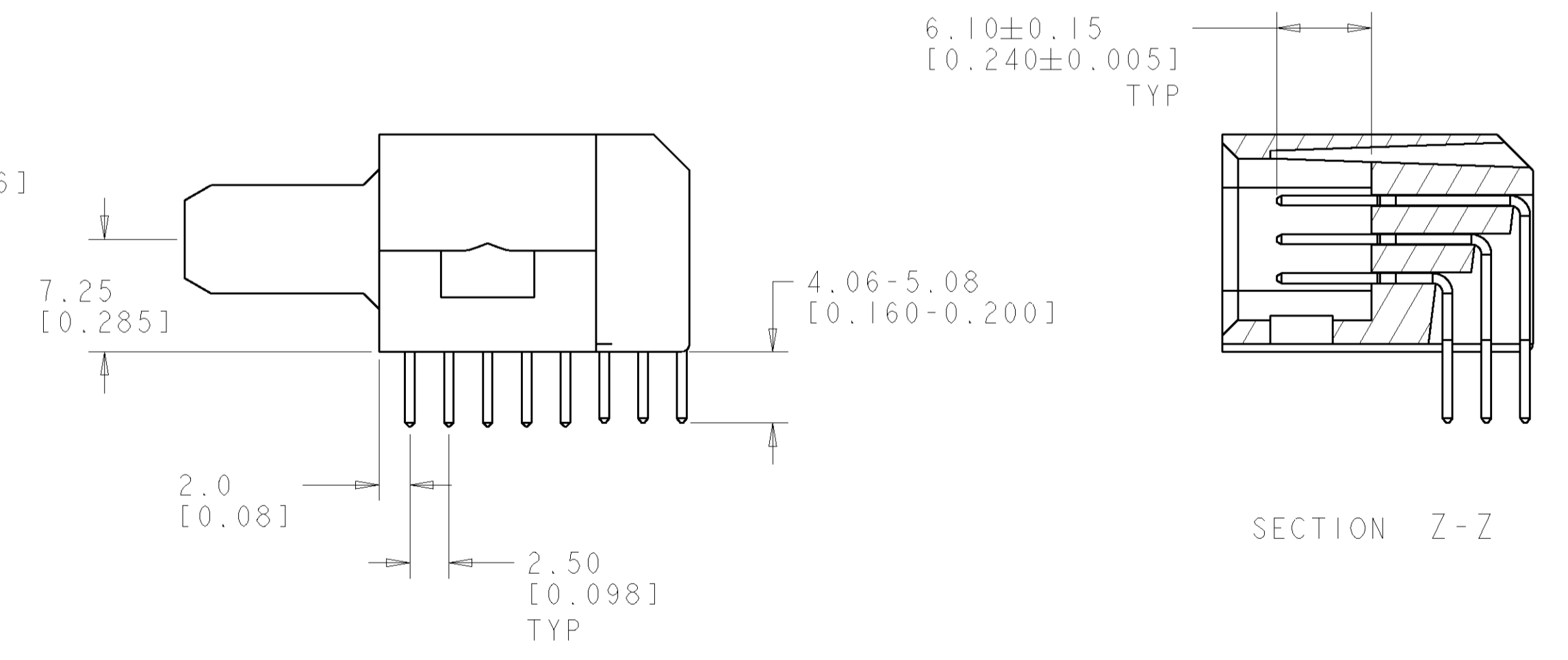
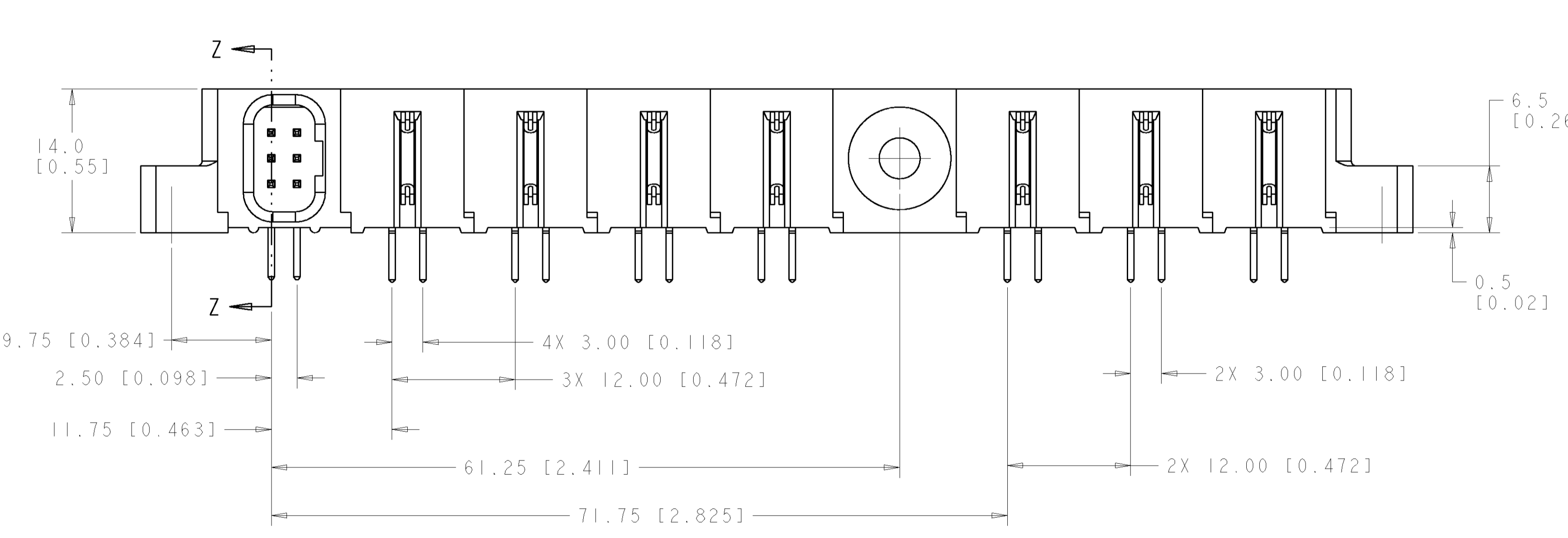
- PART NUMBER CHANGES AND OR DESIGN CHANGES AFFECTING ITEM INTERCHANGEABILITY REQUIRE PRIOR TYCO APPROVAL AND AUTHORIZATION BY REVISION TO THIS DRAWING.
- MATERIAL:
  - INSULATORS - THERMOPLASTIC, GLASS REINFORCED, COLOR: BLACK, UL94V-0 FLAMMABILITY RATED.
  - POWER CONTACTS - PHOSPHOR BRONZE ALLOY, COPPER ALLOY
  - SIGNAL CONTACTS - BRASS ALLOY
  - CROWN BANDS: BERYLLIUM COPPER
- FINISH:
  - CONTACTS - GOLD PLATE .000030 INCH MIN. THK. OVER NICKEL .000050 INCH MIN. THK. SOLDER TAILS, TIN .000100 INCH MIN. THK OVER NICKEL .000050 MIN THK.



4 ITEMS PROVIDED TO THIS SPECIFICATION TO BE PERMANENTLY IDENTIFIED PER THE FOLLOWING IDENTIFIER LABEL

YEAR WEEK  
 TYCO PART NO. DATE CODE (e.g. 0106)  
 XXXXXXXX-X XXXX

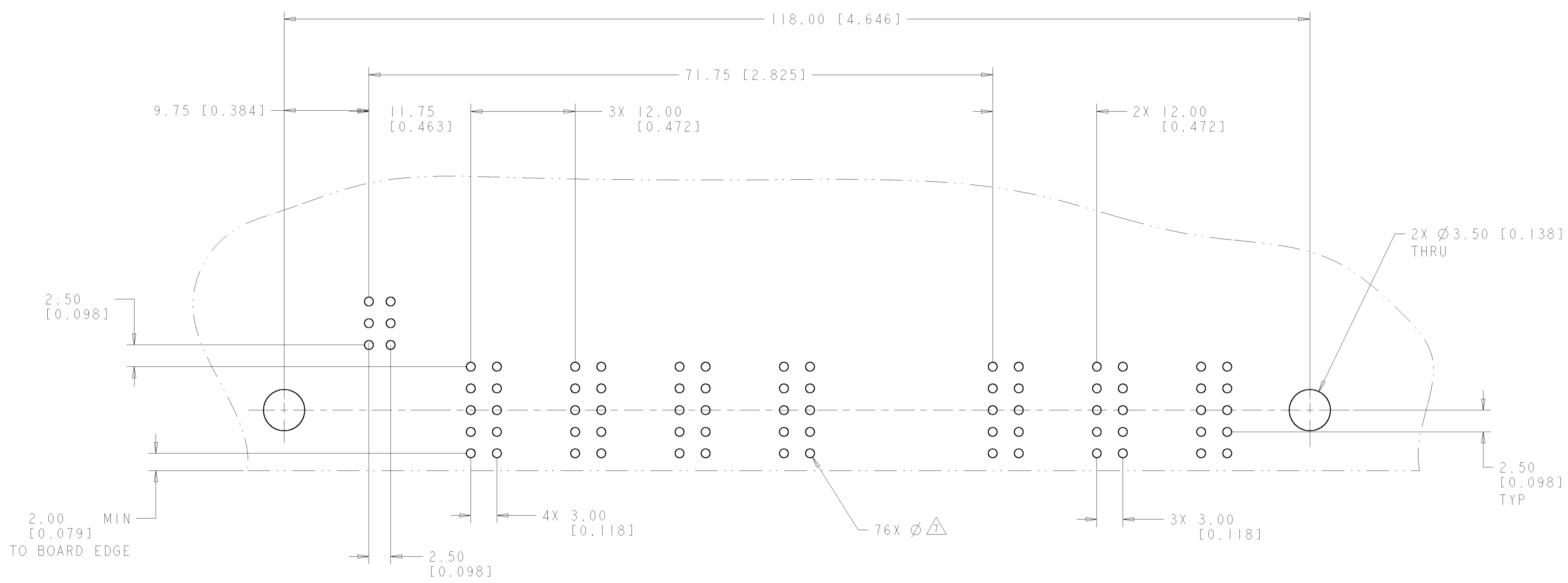
5 MOUNTING FLANGES ACCEPT M3 OR NO.4 SCREWS, (USER SUPPLIED)



ELCON FLATPAQ

AS SHOWN		6646722-1	
DESCRIPTION		PART NUMBER	
DIMENSIONS: mm [INCHES] TOLERANCES UNLESS OTHERWISE SPECIFIED: 0 PLC ± .5 [0.020] 1 PLC ± .5 [0.020] 2 PLC ± .25 [0.010] 3 PLC ± .25 [0.010] 4 PLC ± .25 [0.010] ANGLES ± .5		DWN R. GRZYBOWSKI 15NOV06 ENR P. DAMATO 15NOV06 APVD S. FLICKINGER 15NOV06 PRODUCT SPEC - APPLICATION SPEC - WEIGHT - CUSTOMER DRAWING	
MATERIAL - FINISH -		Tyco Electronics Harrisburg, PA 17105-3608 NAME RIGHT ANGLE PIN CONNECTOR SOLDER TAILS AND LAYOUT SIZE CAGE CODE DRAWING NO. RESTRICTED TO A 100779 C=6646722 - SCALE 3:1 SHEET 1 OF 3 REV A	

LOC	DIST	REVISIONS			
P	LTR	DESCRIPTION	DATE	DRN	APVD
-	-	SEE SHEET 1	-	-	-



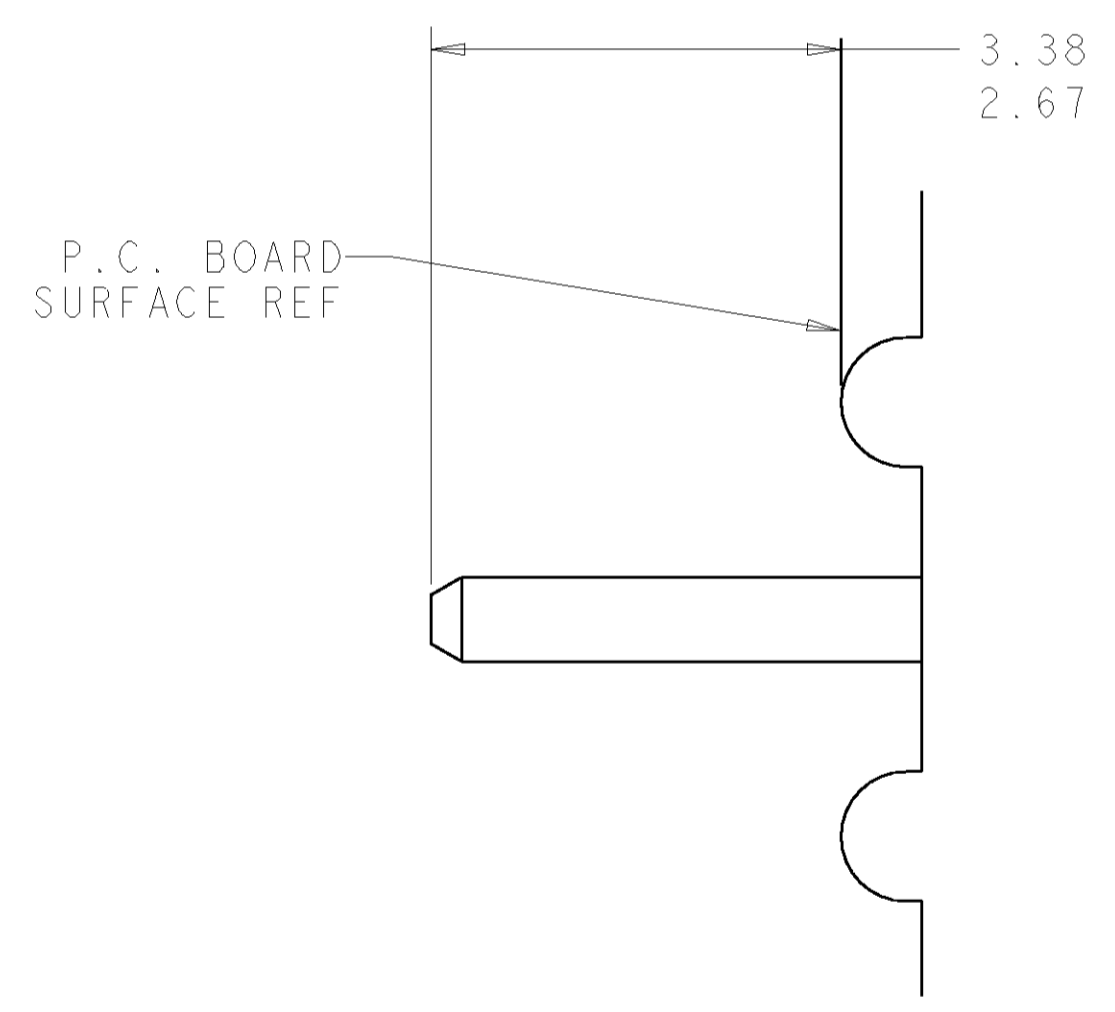
PRINTED CIRCUIT LAYOUT  
 COMPONENT SIDE

CONNECTOR	CATALOG MODULE #	QTY	SIZE NO.	CONTACT QTY	MATING PIN	MAX. CURRENT (PER CONTACT)	CONTACT SPACING	VOLTAGE RATING
PIN	FPI21	6	8	6	1.25 X 7.00 [.049 X .276]	35 amps	12.00 [.472]	600
	FPI22	1	8	1	1.25 X 7.00 [.049 X .276]	35 amps	12.00 [.472]	600
	FP314	1	22	24	.64 SQ. [.025]	3 amps	2.50 [.0984]	125
	FP0506	1	RIGHT ANGLE GUIDE SOCKET					
	FP0500	1	LEFT MOUNTING FLANGE					
	FP0501	1	RIGHT MOUNTING FLANGE					

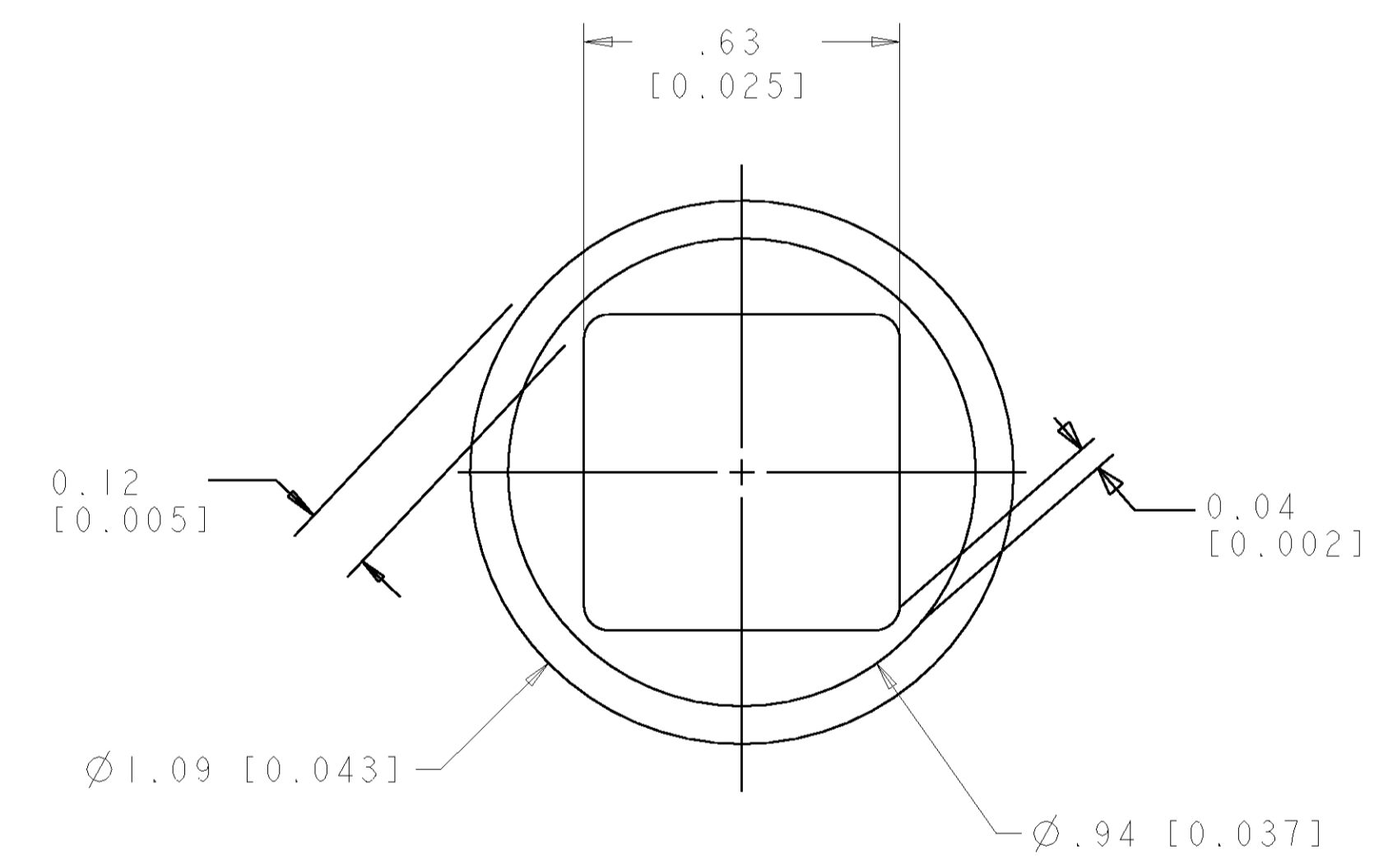
DIMENSIONS: mm [ INCHES ]		TOLERANCES UNLESS OTHERWISE SPECIFIED: 0 PLC ± .5 [ .020 ] 1 PLC ± .5 [ .020 ] 2 PLC ± .25 [ .010 ] 3 PLC ± .25 [ .010 ] 4 PLC ± .25 [ .010 ] ANGLES ± .5		DWN B. GRZYBOWSKI ISNOV06 CHK P. DAMATO ISNOV06 APVD S. FLICKINGER ISNOV06		NAME RIGHT ANGLE PIN CONNECTOR SOLDER TAILS AND LAYOUT	
MATERIAL - FINISH -		WEIGHT - CUSTOMER DRAWING		SIZE CAGE CODE DRAWING NO A100779 C=6646722		RESTRICTED TO SCALE 3:1 SHEET 2 OF 3 REV A	

ELCON FLATPAQ

LOC	DIST	REVISIONS					
		P.	LTR	DESCRIPTION	DATE	DNW	APVD
GP	00	-	-	SEE SHEET 1	-	-	-



6. SOLDER TAIL DETAIL  
SCALE 10 : 1



**⚠ SOLDER TERMINATION AREA**  
 SCALE 40:1  
 RECOMMENDED PRINTED CIRCUIT HOLE  
 SOLDER HOLE  
 FINISHED HOLE: Ø1.02 [.040] ±.08 [.003]  
 DRILLED HOLE: Ø1.15 [.0453] ±.013 [.0005]  
 COPPER PLATE: .025 [.0010] MIN  
 TIN PLATE: .008 [.0003] MIN. (PER SURFACE)

**ELCON FLATPAQ**

<small>THE DIMENSIONS IN CONDUCTIVE METERS FOR THIS PRODUCT ARE DEFINED BY THE FOLLOWING STANDARDS:                  MIL-STD-883C, METHOD 2000 FOR THE CONDUCTIVE METERS ORGANIZATION                  SHOULD BE CONTACTED FOR THE LATEST EDITION.</small>		DWN R. GRZYBOWSKI ENR P. DAMATO APVD S. FLICKINGER	ISNOV06 ISNOV06 ISNOV06 ISNOV06	<b>tyco</b> Electronics Tyco Electronics Harrisburg, PA 17105-3608
DIMENSIONS: mm [ INCHES ]	TOLERANCES UNLESS OTHERWISE SPECIFIED: 0 PLC ±. 1 PLC ±.5 [.020] 2 PLC ±.25 [.010] 3 PLC ±. 4 PLC ±. ANGLES ±.5	NAME RIGHT ANGLE PIN CONNECTOR SOLDER TAILS AND LAYOUT	SIZE A100779	DRAWING NO C=6646722
MATERIAL -	FINISH -	WEIGHT -	CUSTOMER DRAWING	RESTRICTED TO -
SCALE 3:1		SHEET 3 OF 3	REV A	

单击下面可查看定价，库存，交付和生命周期等信息

[>>TE Connectivity\(泰科\)](#)