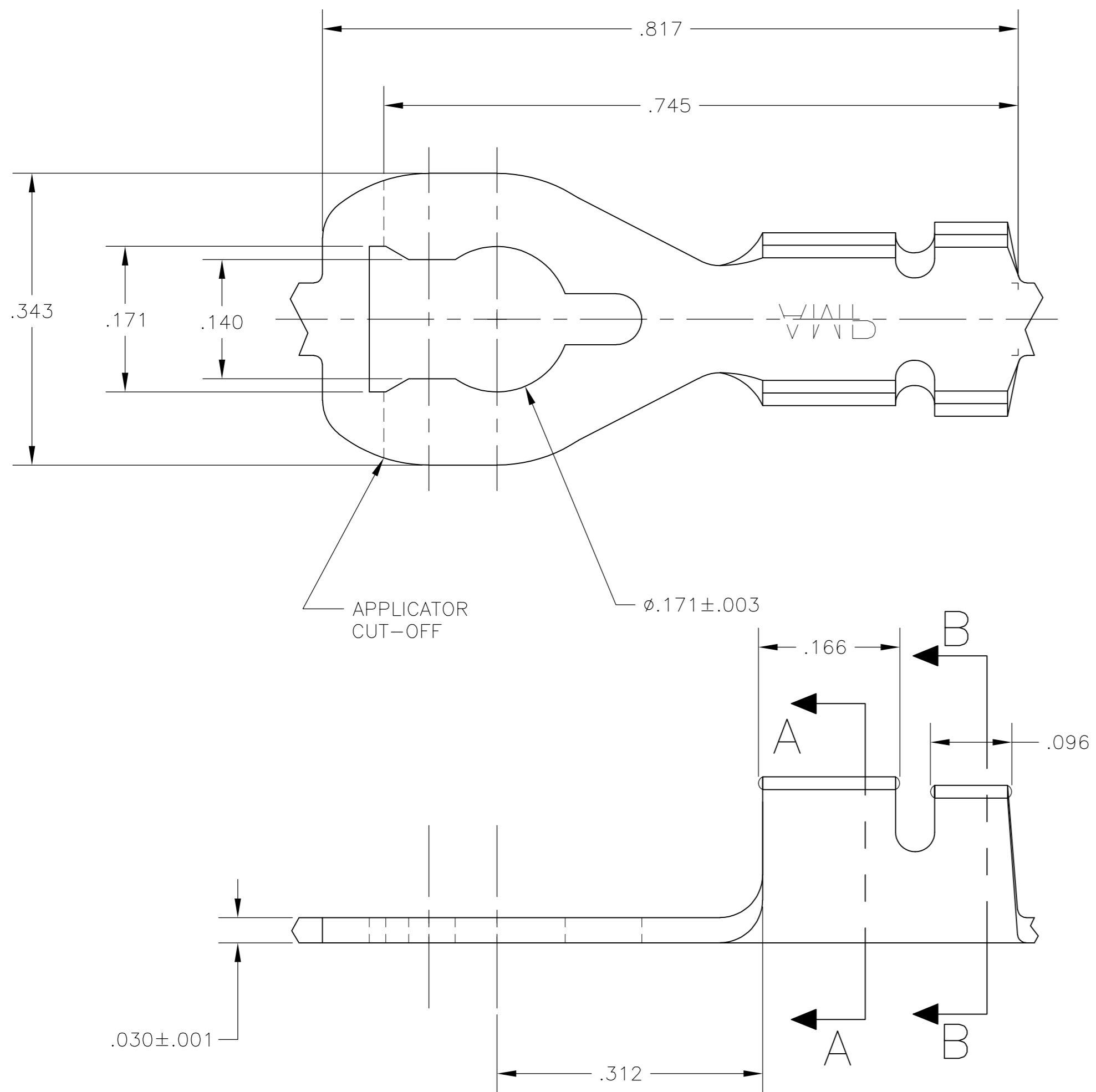
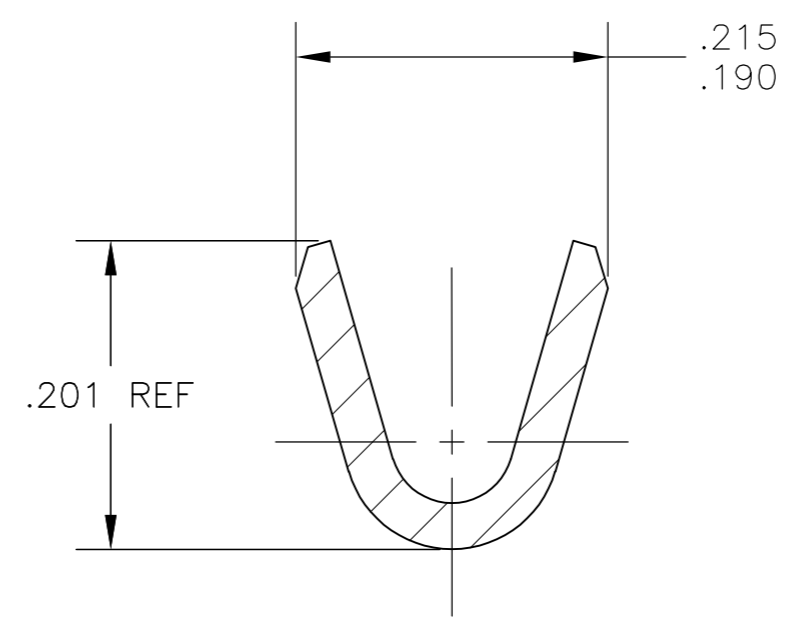


THIS DRAWING IS UNPUBLISHED. RELEASED FOR PUBLICATION
 © COPYRIGHT BY TYCO ELECTRONICS CORPORATION. ALL RIGHTS RESERVED.

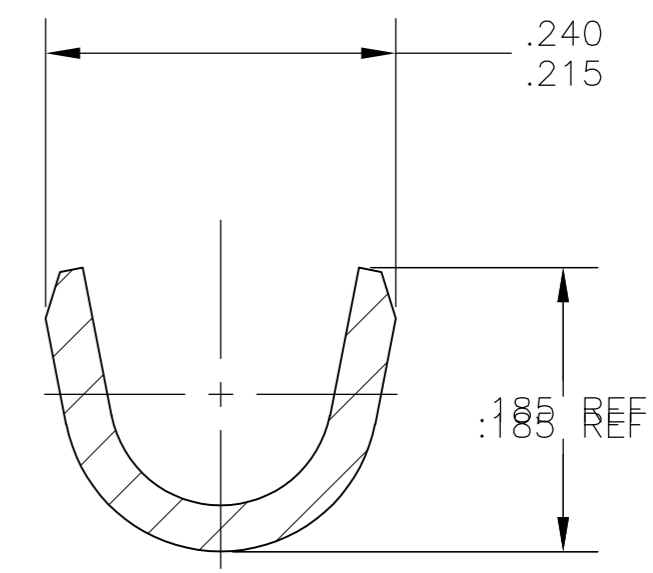
LOC		DIST		REVISIONS			
P	LTR	DESCRIPTION		DATE	DWN	APVD	
AF	50	C		REVISED PER ECR-10-006099	07JUL10	HMR PD	



1. CONTINUOUS STRIP ON REELS.
2. WIRE RANGE: #16-#12 AWG.
3. INSULATION RANGE: .110-.150 DIA.



SECTION A-A



SECTION B-B

1742106-1
 PART NUMBER

THIS DRAWING IS A CONTROLLED DOCUMENT.		DWN MICHAEL S. FEHER 30MAR2004	 Tyco Electronics Corporation Harrisburg, Pa 17105-3608
DIMENSIONS: INCHES		CHK DONALD F. DECKER 30MAR2004	
TOLERANCES UNLESS OTHERWISE SPECIFIED:		APVD DONALD F. DECKER 30MAR2004	
0 PLC ± - 1 PLC ± - 2 PLC ± - 3 PLC ± .015 4 PLC ± - ANGLES ± 1°		NAME TERMINAL, SPRING SPADE, #8 STUD SIZE (M4)	
MATERIAL H04 BRASS	FINISH TIN	WEIGHT -	SIZE A2 CAGE CODE 00779 DRAWING NO. C=1742106 RESTRICTED TO -
CUSTOMER DRAWING		SCALE 10:1	SHEET 1 OF 1 REV C

单击下面可查看定价，库存，交付和生命周期等信息

[>>TE Connectivity\(泰科\)](#)