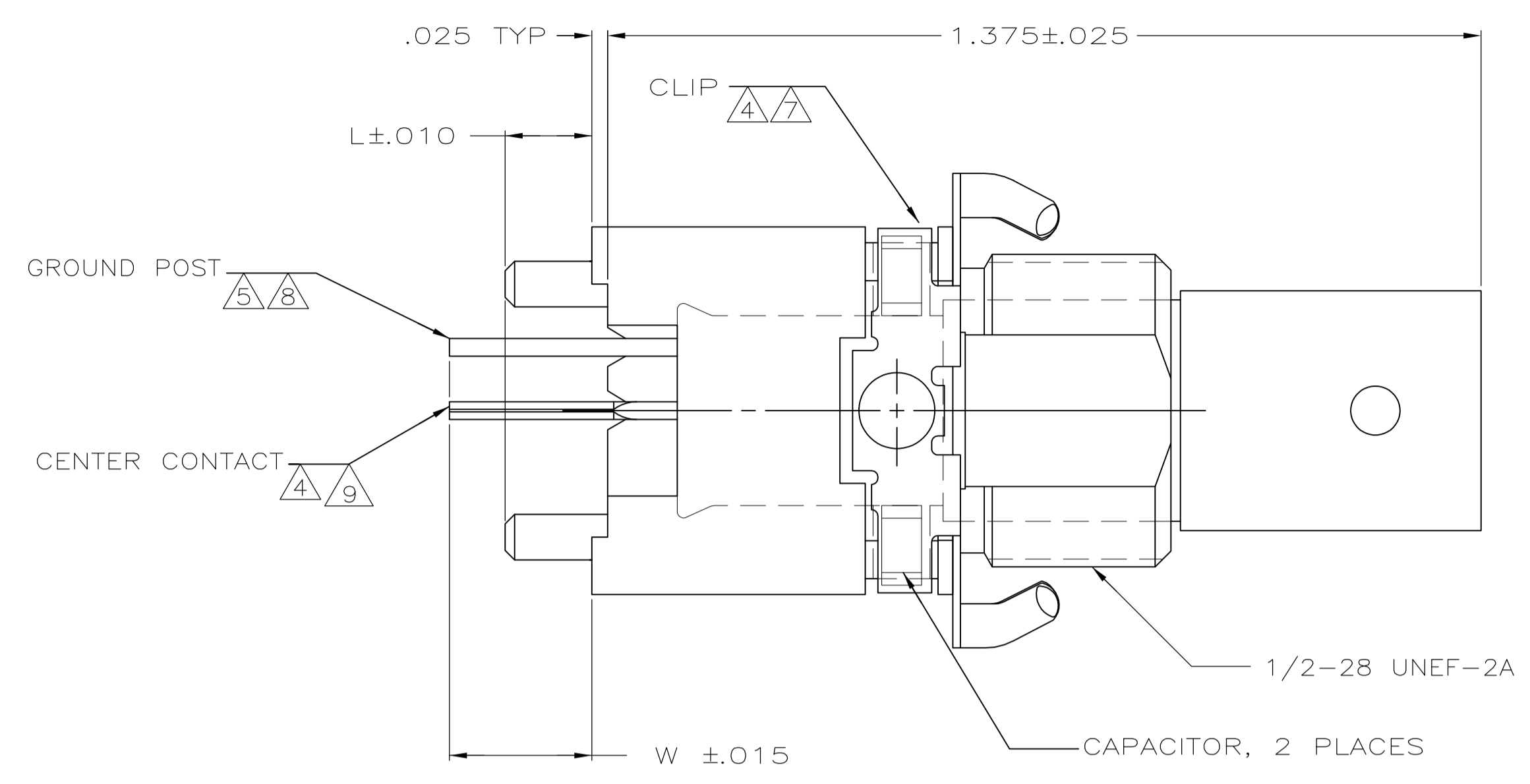
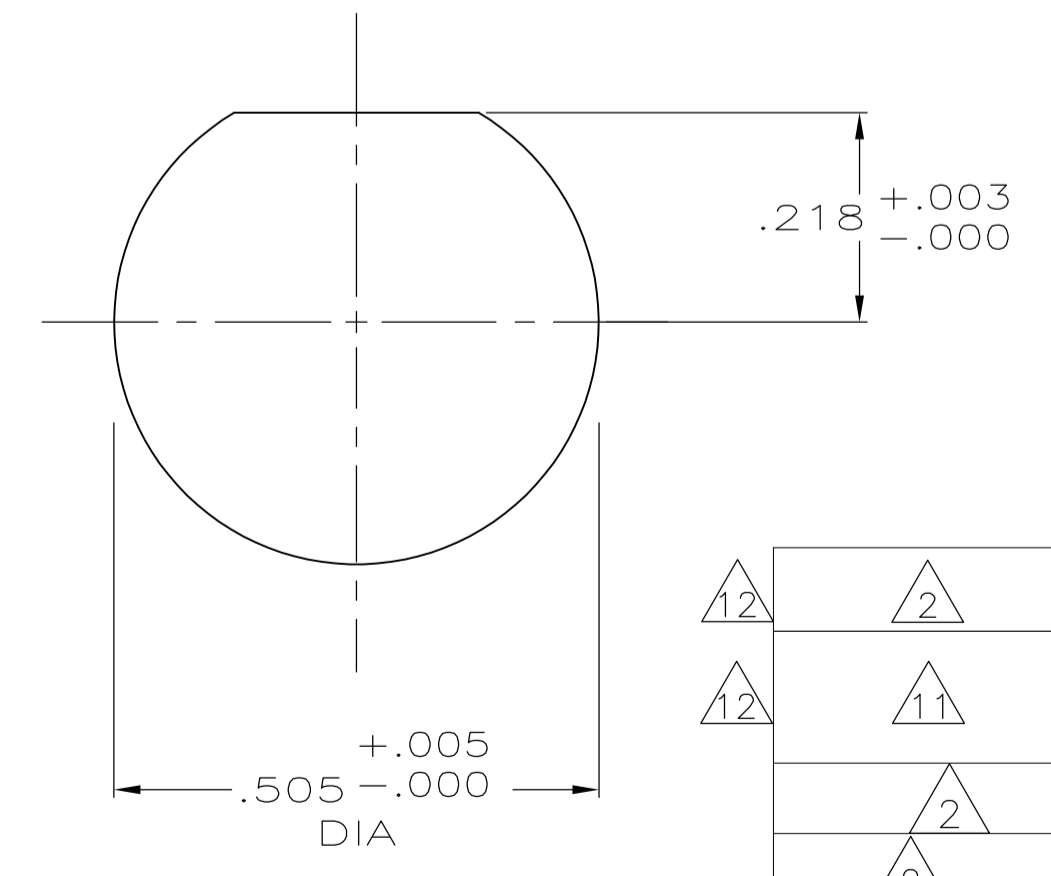
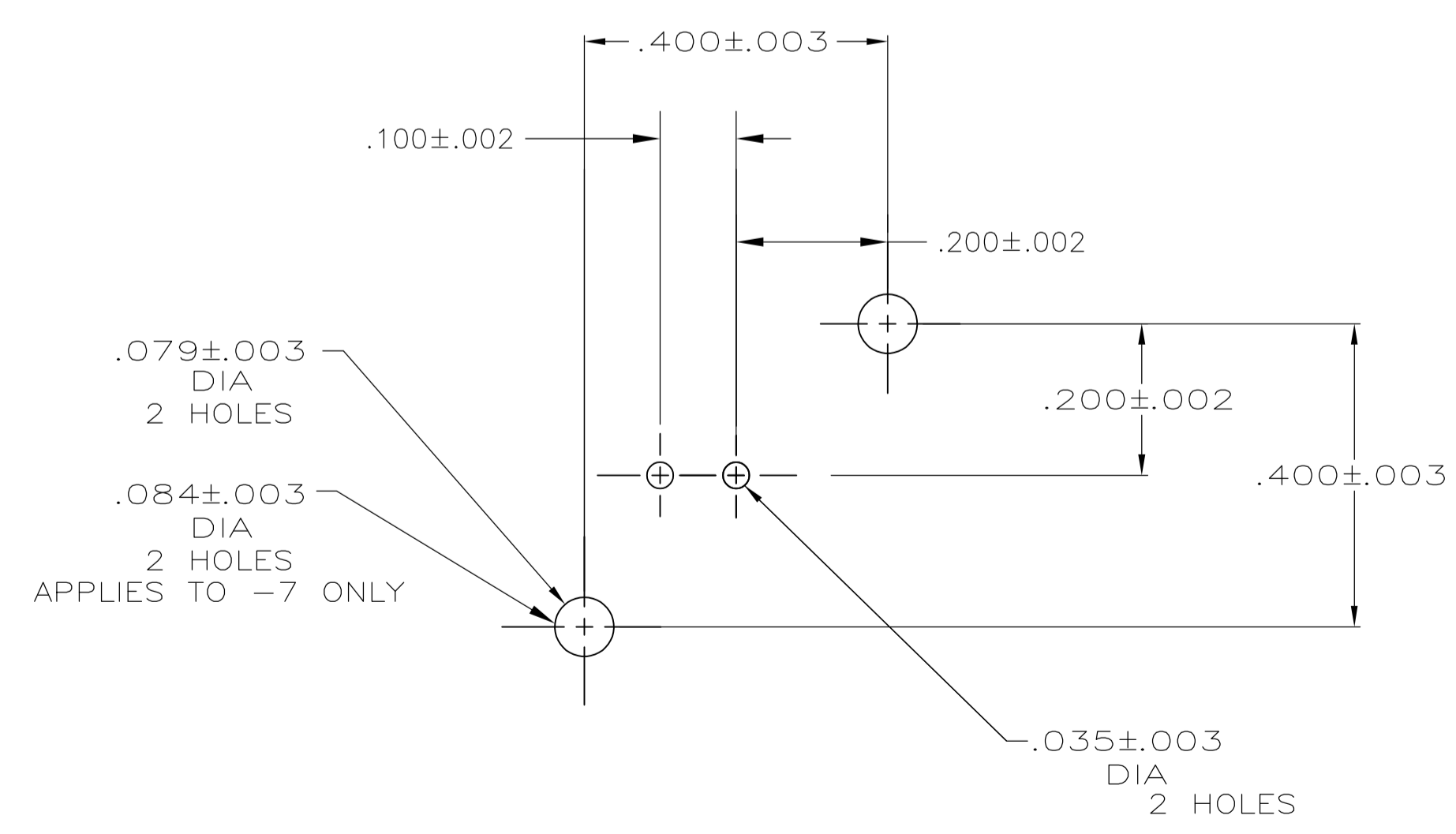
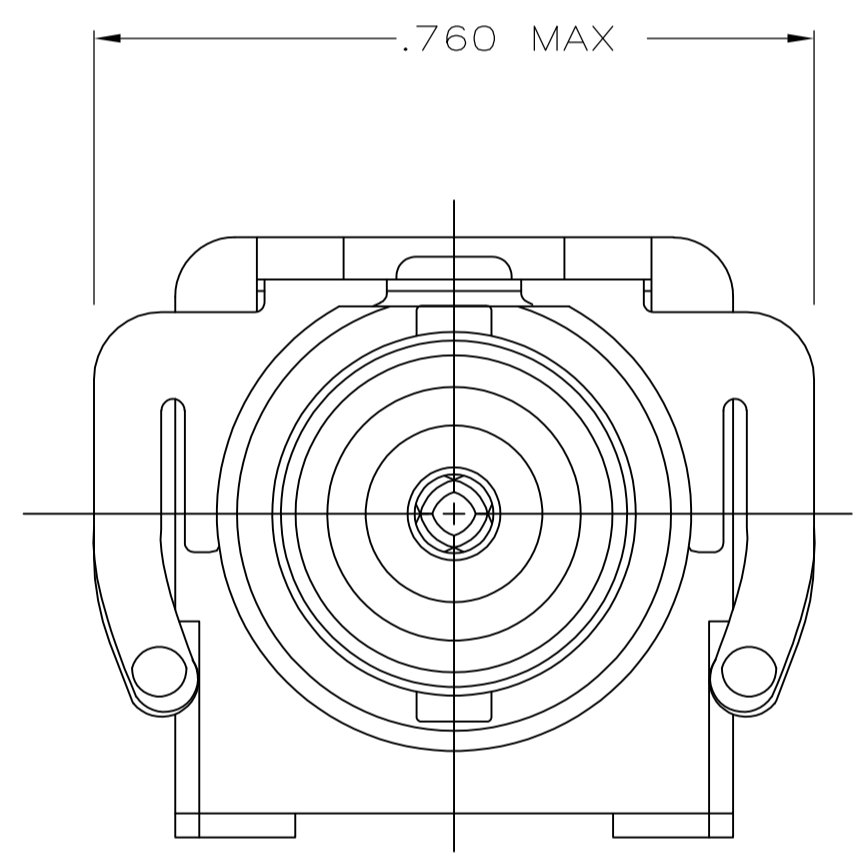
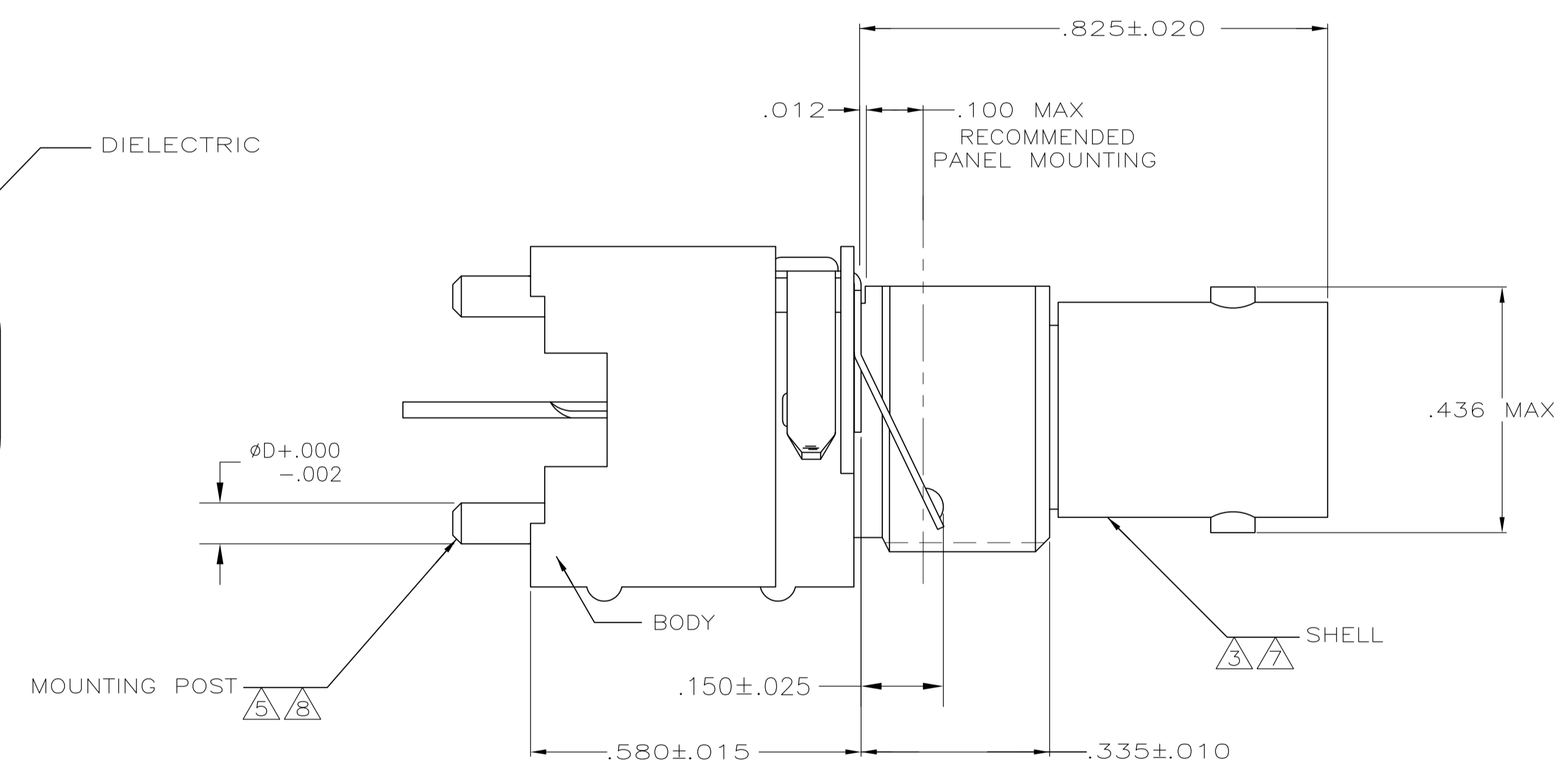
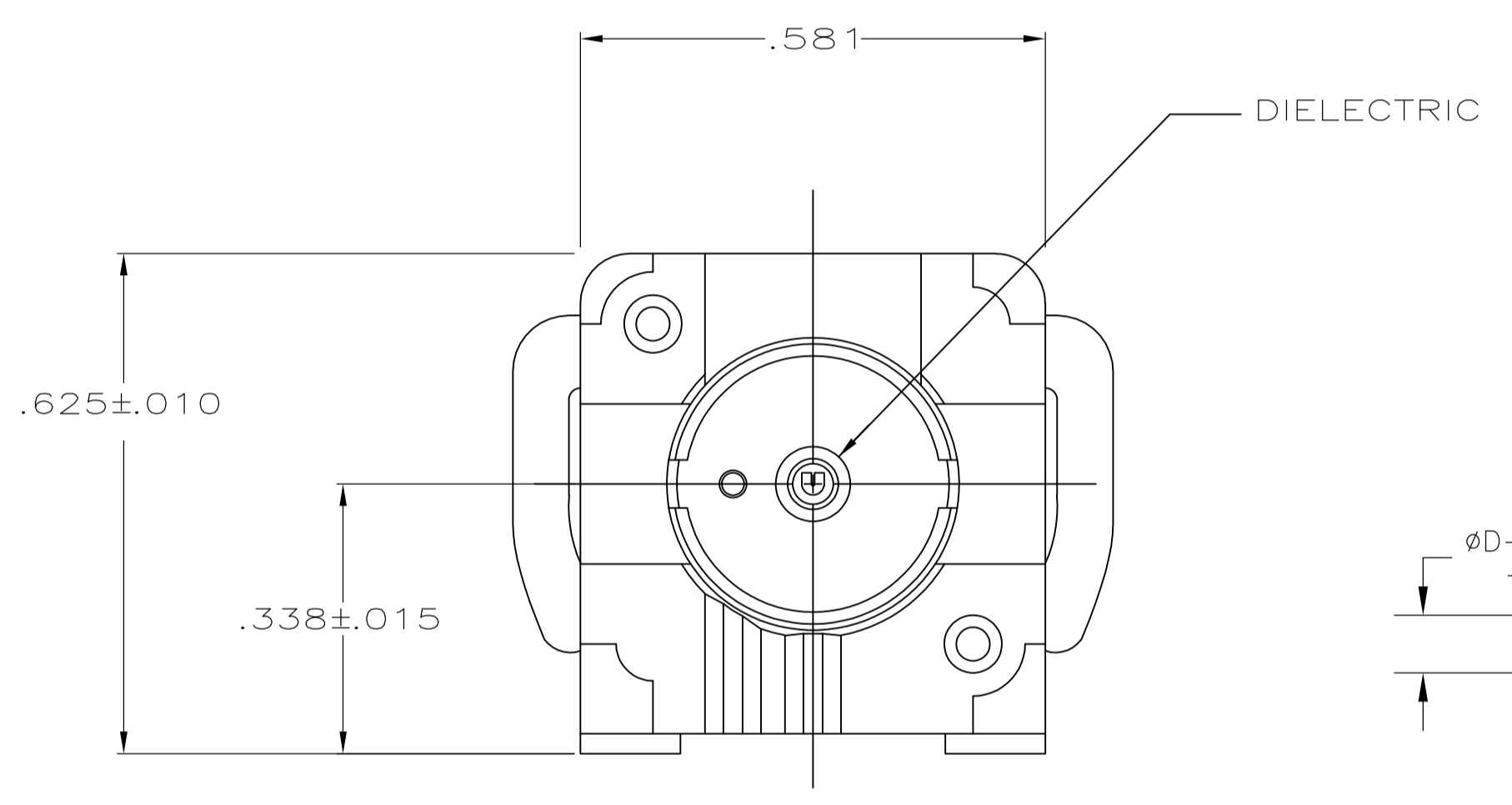


REV	DATE	BY	CHKD	APVD
C	7/22/2008	DW	JL	
D	10/09/2009	AEG	WKE	
D1	10NOV09	KK	AEG	



- 1 POLYESTER, PBT, BLACK, PER MIL-M-24519
- 2 POLYMETHYLPENTENE GENERAL PURPOSE
- 3 ZINC PER QQ-Z-363
- 4 PHOSPHOR BRONZE PER QQ-B-750
- 5 BRASS PER QQ-B-626
- 6 BRASS PER ASTM B 453
- 7 NICKEL PL PER QQ-N-290
- 8 TIN PLATE PER ASTM B 545
- 9 SELECTIVELY GOLD PLATED ON INTERFACE AREA PER ASTM B 488, .000030 THK, TIN PLATED ON SOLDER TAIL PER ASTM B 545, ALL OVER NICKEL PL PER: QQ-N-290
- 10 POLYESTER, PCT, BLACK, GENERAL PURPOSE
- 11 PTFE PER ASTM-D-1710
- 12 TRAY PACKAGING
- 13 OBSOLETE PARTS: OBSOLETE CIS STREAMLINING PER D.RENAUD/D.SINISI



DIELECTRIC MATERIAL	BODY MATERIAL	W	ØD	L	CAPACITANCE AND VOLTAGE	PART NUMBER
12	2	.225	.072	.137	9400 pf, 1500 VDC	5413476-8
12	11	.169 +.008 -.007	.077	.137	9400 pf, 1500 VDC	13-5413476-7
2	1	.225	.072	.158	9400 pf, 1500 VDC	5413476-6
2	1	.225	.072	.137	9400 pf, 1500 VDC	5413476-2

THIS DRAWING IS A CONTROLLED DOCUMENT.

DIMENSIONS: INCHES
 TOLERANCES UNLESS OTHERWISE SPECIFIED:
 0 PLC ± -
 1 PLC ± -
 2 PLC ± -
 3 PLC ± .008
 4 PLC ± -
 ANGLES ± -

MATERIAL: 1-6-10-11
 FINISH: 7-8-9

THIS DRAWING IS A CONTROLLED DOCUMENT.
 DWG: L. VARELA - DOCKS
 CHK: J. HAVENER
 APVD: J. LIPPERT
 PRODUCT SPEC: 108-1269
 APPLICATION SPEC:

Tyco Electronics Corporation
 Harrisburg, Pa 17105-3608
 NAME: JACK, DECOUPLER, VERTICAL, PCB, SERIES BNC
 SIZE: A1
 CAGE CODE: 00779
 DRAWING NO: 5413476
 WEIGHT: -
 CUSTOMER DRAWING:

SCALE: 5:1
 SHEET: 1 of 1
 REV: D1

单击下面可查看定价，库存，交付和生命周期等信息

[>>TE Connectivity\(泰科\)](#)