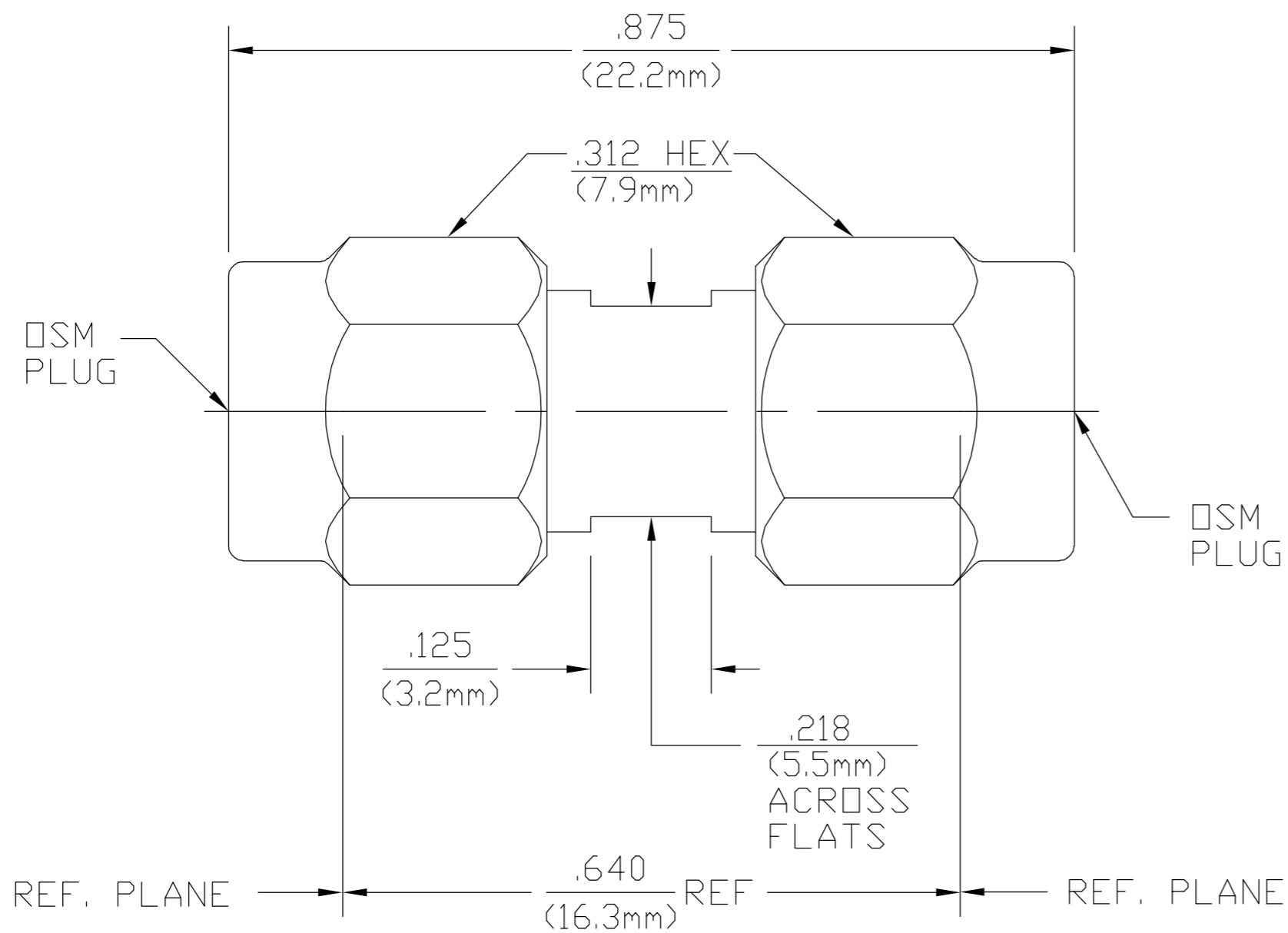


THIS DRAWING IS UNPUBLISHED. RELEASED FOR PUBLICATION
 © COPYRIGHT BY TYCO ELECTRONICS CORPORATION. ALL RIGHTS RESERVED.

LOC		DIST		REVISIONS			
AJ	00	P	LTR	DESCRIPTION	DATE	DWN	APVD
		B		REV PER ECO 07-004710	3/2/2007	DW	KW



ELECTRICAL	MECHANICAL	ENVIRONMENTAL
Nominal Impedance (Ohms) 50	Interface Dimensions MIL-STD-348A	TEMPERATURE RATING -65°C TO 165°C
Frequency Range (GHz) DC to 18.0	FIG 310.1	Vibration - MIL-STD-202, Method 204, Condition D
Volt Rating (VRMS MAX) 335	Recommended Mating	Shock - MIL-STD-202, Method 213, Condition I
VSWR 1.05 + .005f(GHz) MAX	Torque 7.0 to 10.0 In/Lbs	Thermal shock MIL-STD-202, Method 107 Test Condition C
Insertion Loss (dB MAX) .06 √f(GHz)	Connector Engagement	Moisture Resistance - MIL-STD-202, Method 106, except Step 7b
RF Leakage -[90-f(GHz)]	2.0 In/Lbs MAX	(Vibration) shall be omitted
Corona, 70,000 Ft (VRMS MIN) 250	Center Contact Captivation	Corrosion - MIL-STD-202, Method 101, Condition B, 5% salt spray
Dielectric Withstanding Voltage (VRMS MIN) 1500	Axial 10 Lbs MIN	
Contact Resistance (Milliohms MAX)	Radial N/A	
Center Contact 4.0	Weight (Grams) TBD	
Outer Contact 2.0		
RF High Potential (VRMS MIN @ 5 MHz) 670		
I.R.(Megohms) 10,000		

COMPONENT	MATERIAL	FINISH
HOUSING COUPLING NUT	STAINLESS STEEL PER ASTM-A484 AND ASTM-A582, TYPE 303	PASSIVATE PER QQ-P-35
DIELECTRIC	PTFE FLUOROCARBON PER ASTM-D-1457	N/A
CENTER CONTACT	BERYLLIUM COPPER PER ASTM B 196, ALLOY C17300, CONDITION H OR BRASS PER ASTM-B-16	GOLD PLATE PER MIL-G-45204
RETAINING RING	BERYLLIUM COPPER PER ASTM B 194, ALLOY C17200, CONDITION H	N/A
GASKET	SILICONE RUBBER PER ZZ-R-765	N/A

THIS DRAWING IS A CONTROLLED DOCUMENT.

DWN B.M.EDWARDS 8/31/90	Tyco Electronics Corporation Harrisburg, PA 17105-3608
CHK K.MAHER 9/4/90	
APVD S.TM 9/5/90	
PRODUCT SPEC	
APPLICATION SPEC	NAME OSM PLUG TO PLUG ADAPTER
WEIGHT -	SIZE A2 CAGE CODE 00779 DRAWING NO C=1053640 RESTRICTED TO -
CUSTOMER DRAWING	SCALE 5:1 SHEET 1 of 1 REV B

1053640

单击下面可查看定价，库存，交付和生命周期等信息

[>>TE Connectivity\(泰科\)](#)