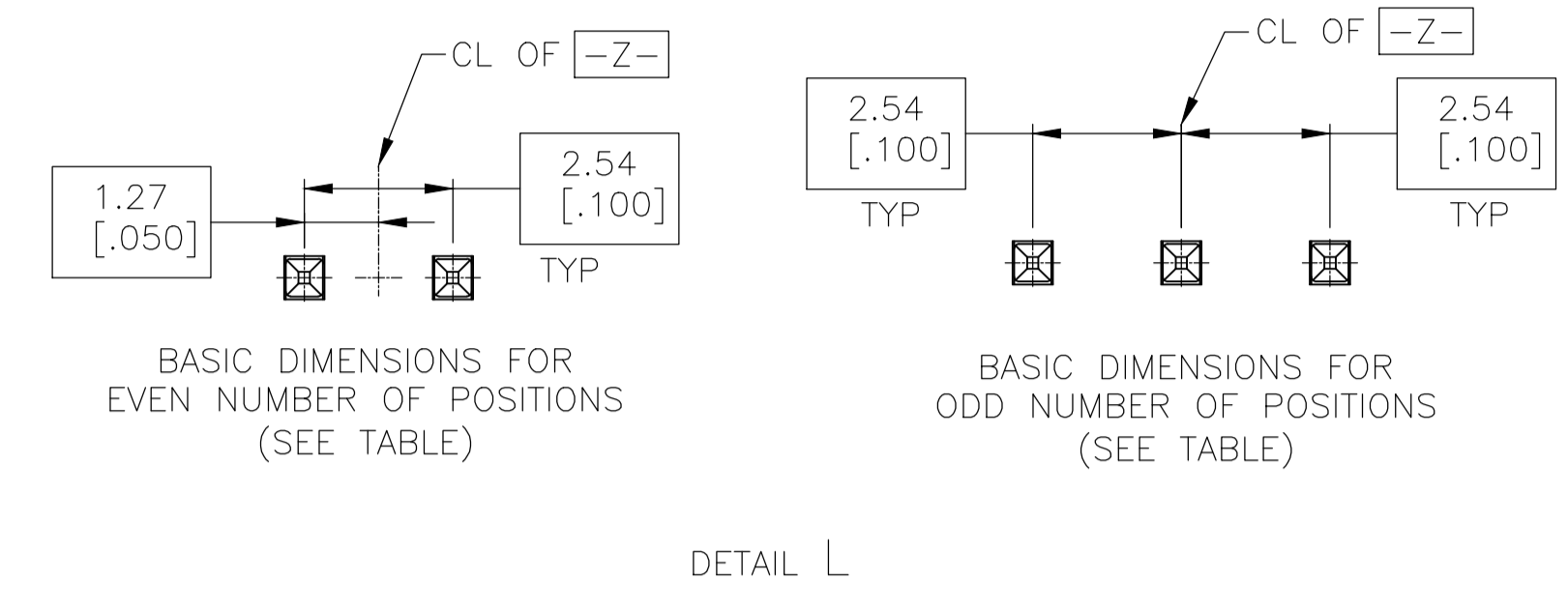
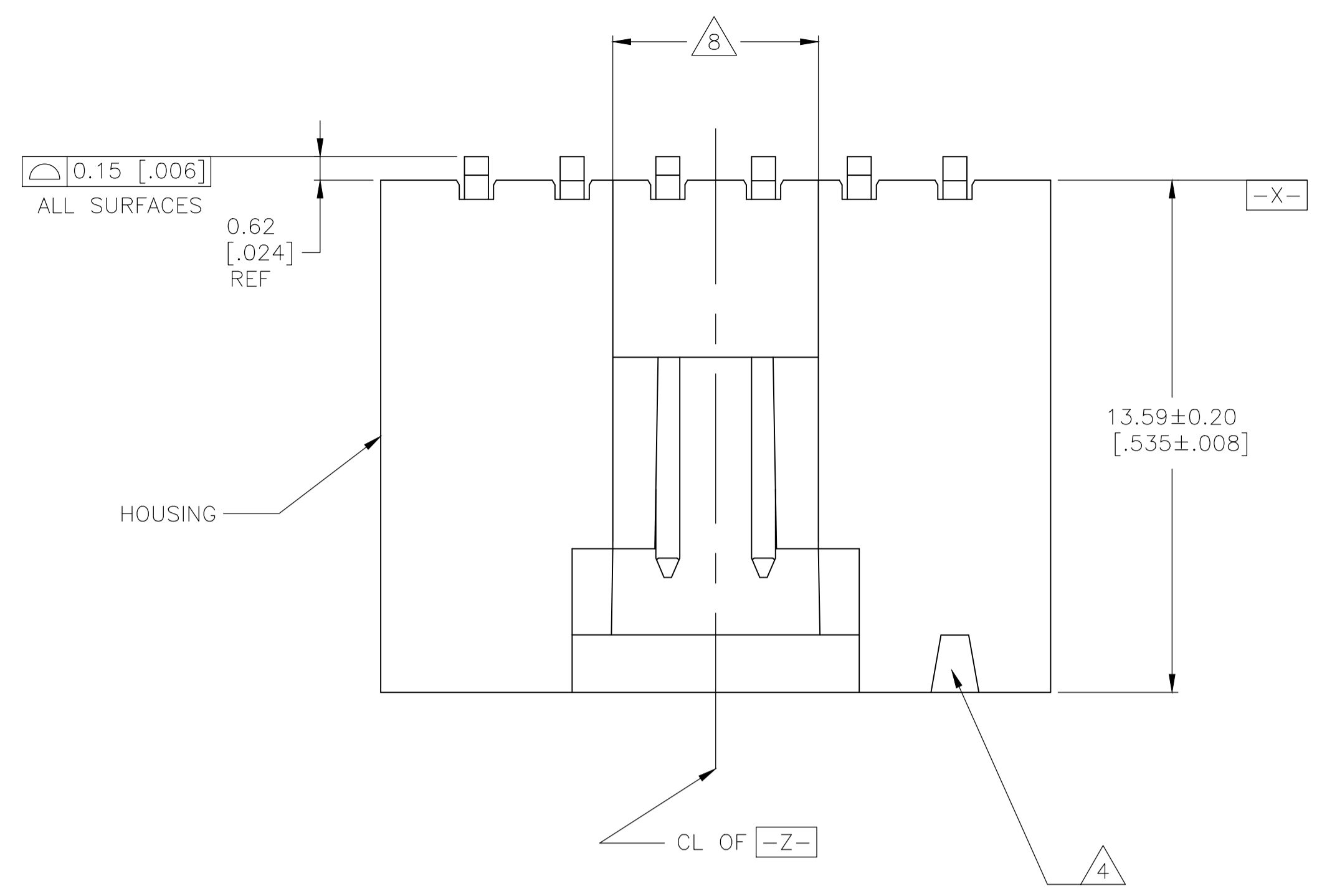
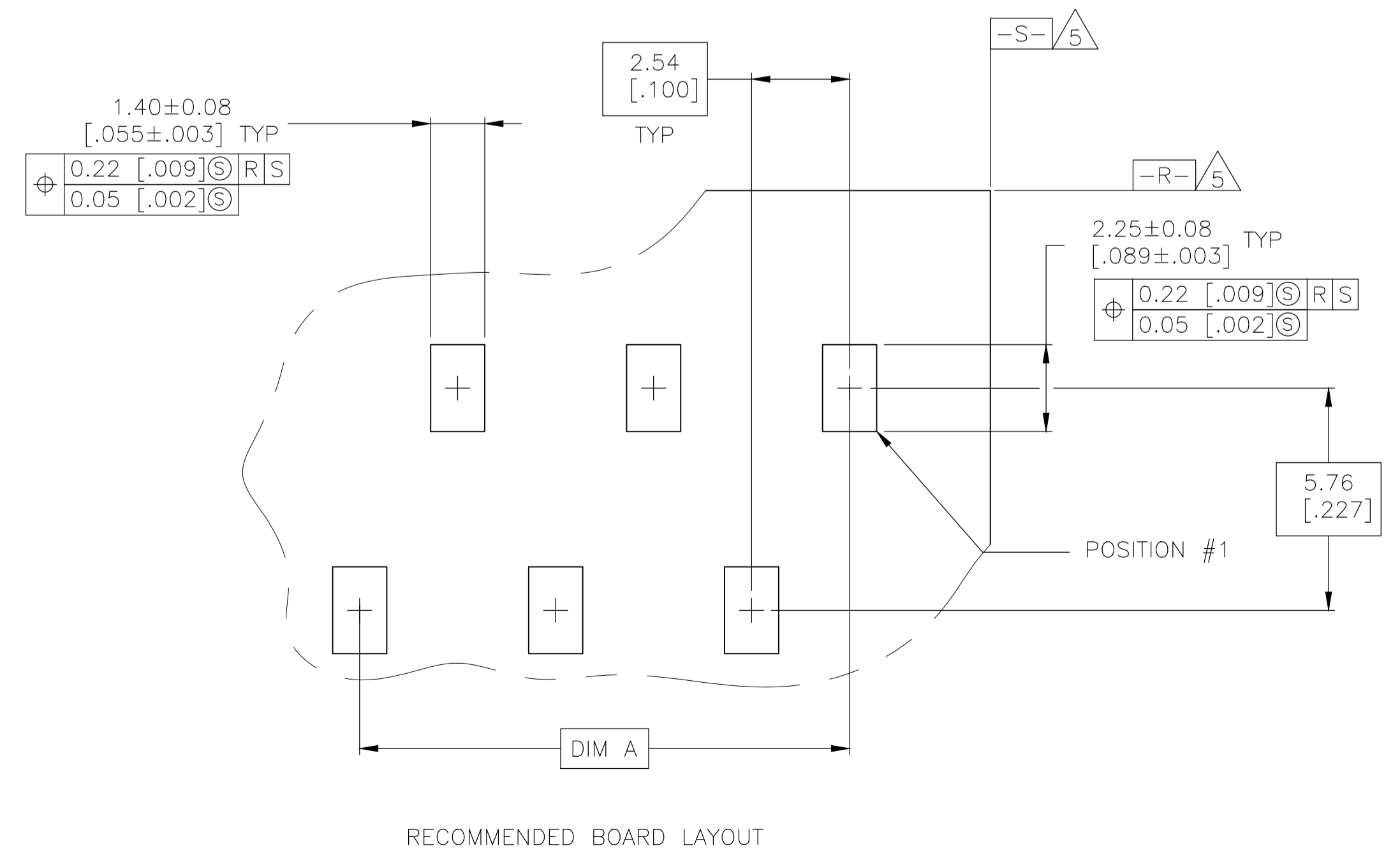
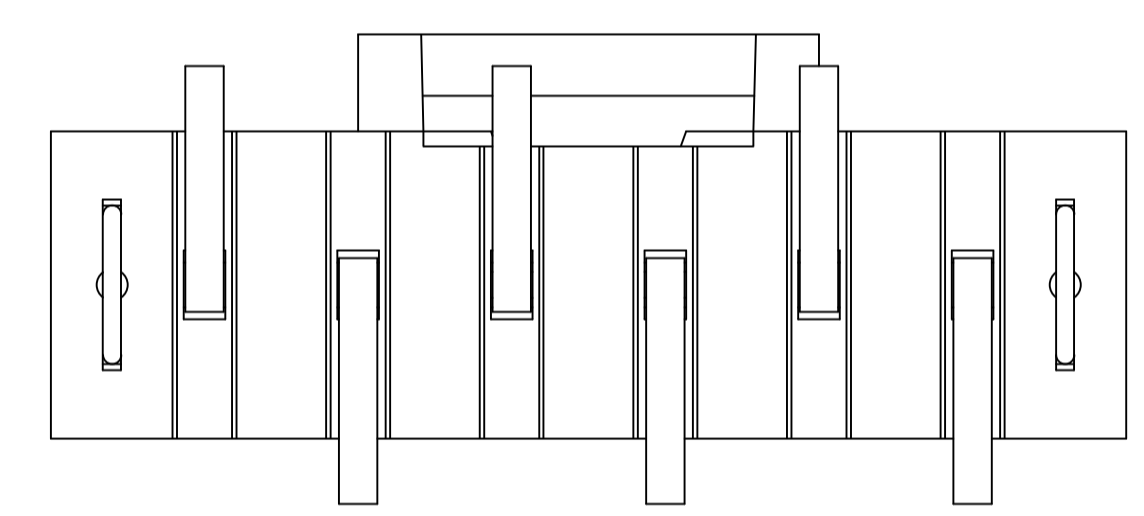
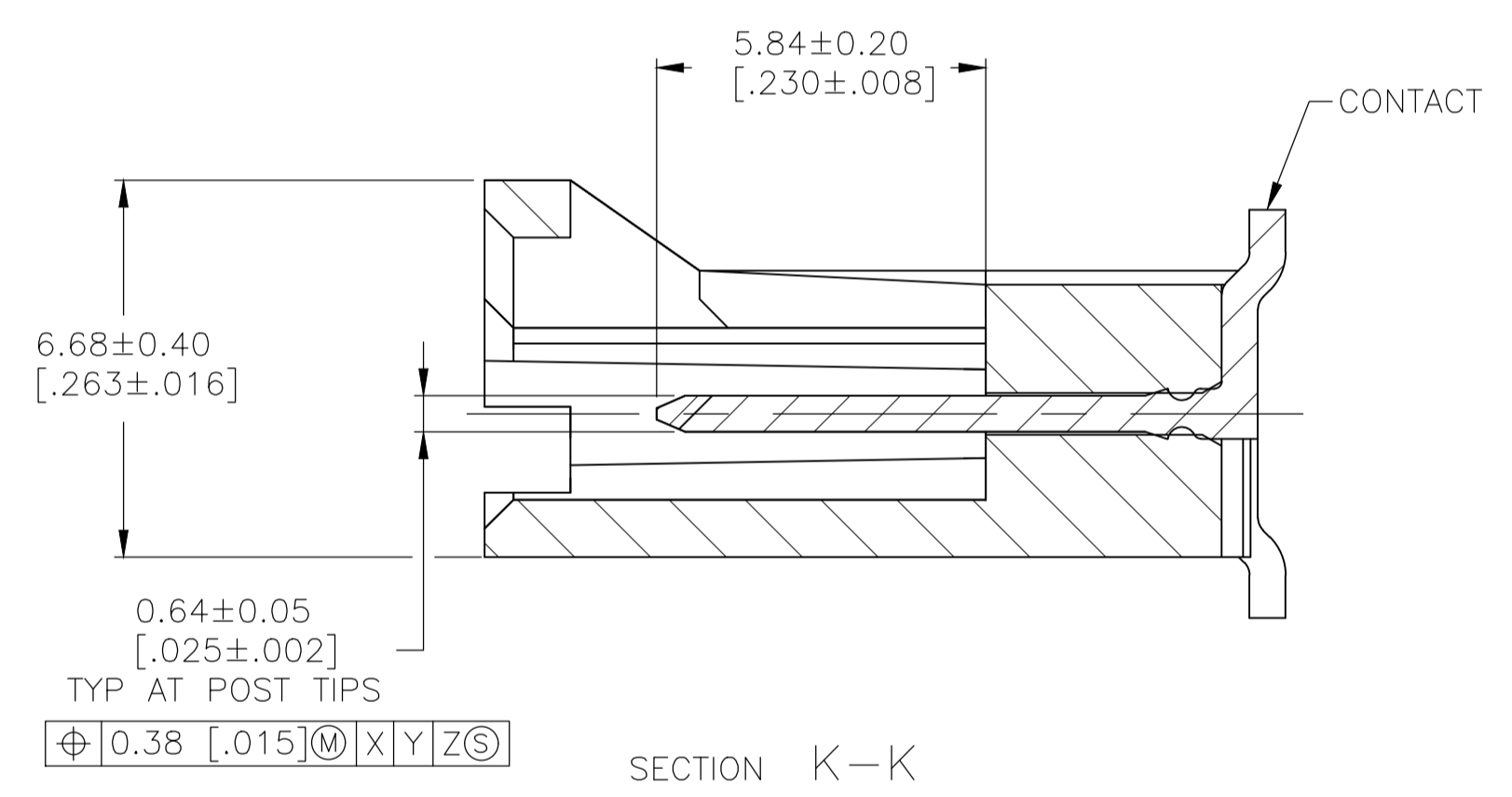
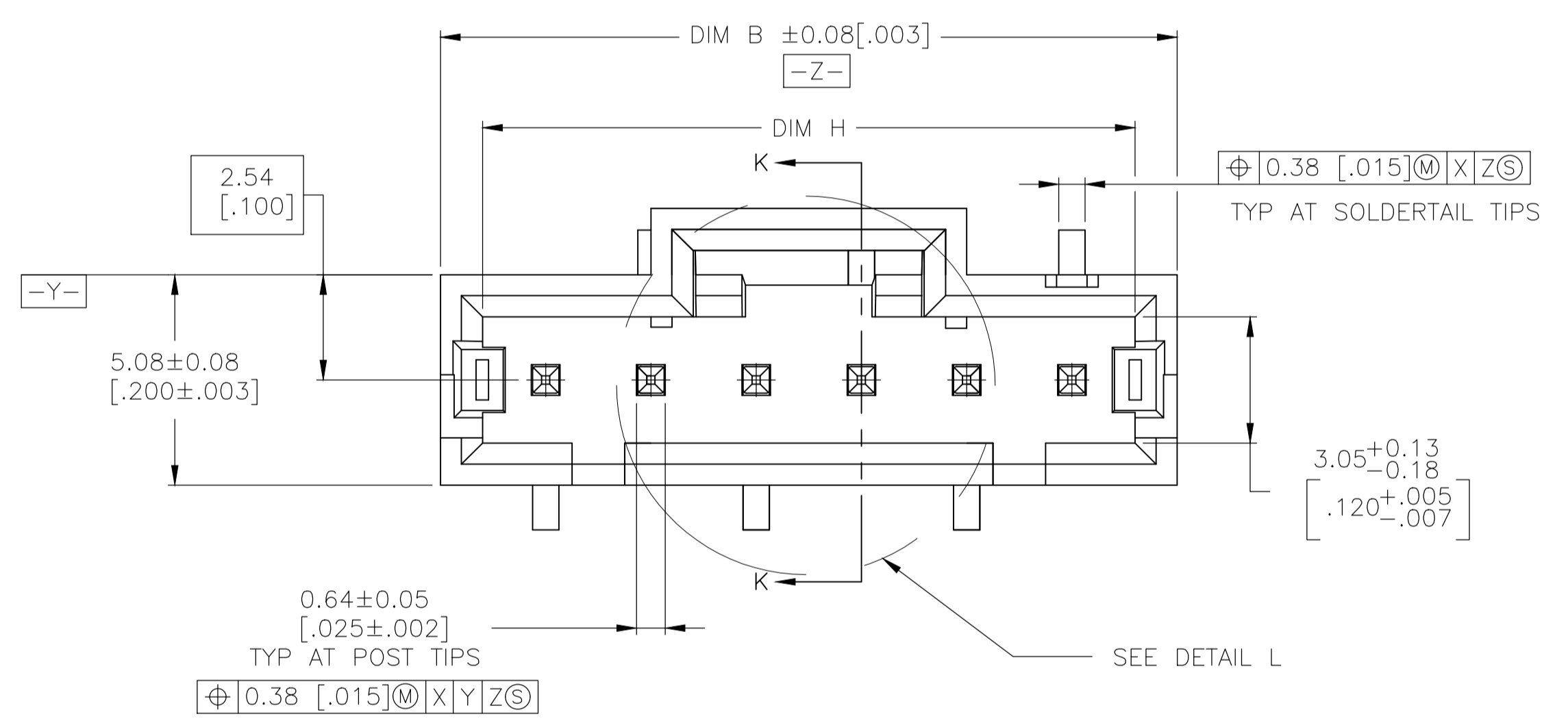


REVISIONS				
P	LTR	DESCRIPTION	DATE	BY
G	REVISED PER	ECO-20-001912	04JUN2020	SB JO



- 1 PACKAGE: TUBES
- 2 MATERIAL: HOUSING- HIGH TEMPERATURE LCP, COLOR - BLACK, CONTACTS- BRASS
- 3 FINISH: CONTACTS: 0.00254[.000100] - 0.00508[.000200] BRIGHT TIN-LEAD OVER 0.00127[.000050] NICKEL
- 4 CIRCUIT POSITION #1 IDENTIFICATION MARK
- 5 DATUMS ARE ESTABLISHED BY CUSTOMER
- 6 PRELIMINARY PART - NOT RELEASED FOR PRODUCTION
- 7 FINISH: CONTACTS: 0.00254[.000100] - 0.00508[.000200] MATTE TIN OVER 0.00127[.000050] NICKEL.
- 8 0.25 [.010] RECESS PERMISSIBLE IN THIS AREA FOR MOLD SHUT OFF



FINISH	H	B	A	NO OF POSN	PART NUMBER
7	41.18[1.620]	43.05[1.695]	38.13[1.500]	16	5-1825574-8
7	10.68[.420]	12.57[.495]	7.63[.300]	4	5-1825574-7
7	43.69[1.720]	45.59[1.795]	40.64[1.600]	17	5-1825574-4
3	15.75[.620]	17.65[.695]	12.70[.500]	6	1825574-6
3	38.61[1.520]	40.51[1.595]	35.56[1.400]	15	1825574-5
3	43.69[1.720]	45.59[1.795]	40.64[1.600]	17	1825574-4
3	36.07[1.420]	37.97[1.495]	33.02[1.300]	14	1825574-3
3	30.99[1.220]	32.89[1.295]	27.94[1.100]	12	1825574-2
3	48.77[1.920]	50.67[1.995]	45.72[1.800]	19	1825574-1

THIS DRAWING IS A CONTROLLED DOCUMENT.

DIMENSIONS: mm [INCHES]	TOLERANCES UNLESS OTHERWISE SPECIFIED:	0 PLC ± -	1 PLC ± -	2 PLC ± 0.13 [.005]	3 PLC ± -	4 PLC ± -	ANGLES ± -
-------------------------	--	-----------	-----------	---------------------	-----------	-----------	------------

MATERIAL: 2

FINISH: SEE TABLE

WEIGHT: -

CUSTOMER DRAWING

DIN R BROWN 07MAR06
CHK J GEFSEFORD 06MAR06
APVD J GEFSEFORD 06MAR06

NAME: AMPMODU MTE SURFACE MOUNT, VERTICAL HEADER ASSEMBLY

PRODUCT SPEC: 108-25034-2

APPLICATION SPEC: 114-25026

SIZE: A1

SCALE: 8:1

SHEET: 1 OF 1

REV: G

单击下面可查看定价，库存，交付和生命周期等信息

[>>TE Connectivity\(泰科\)](#)