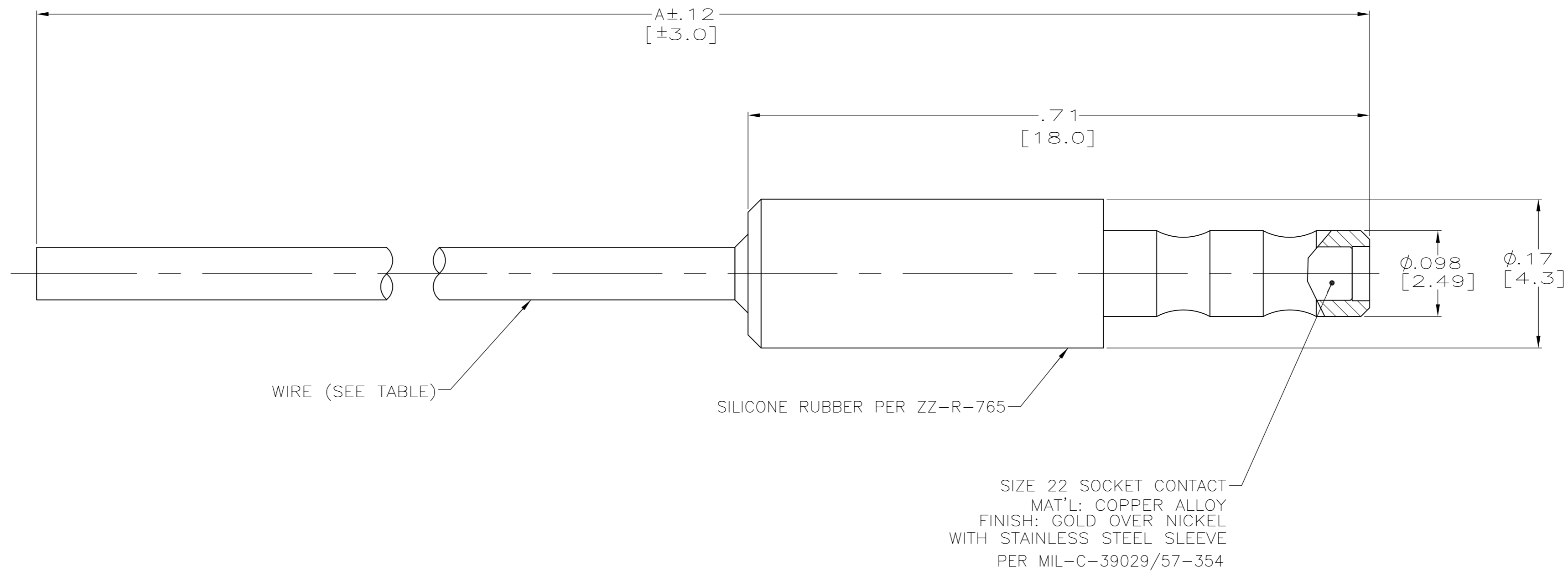


THIS DRAWING IS UNPUBLISHED. RELEASED FOR PUBLICATION
 © COPYRIGHT - By - ALL RIGHTS RESERVED.

LOC		DIST		REVISIONS			
P	LTR	DESCRIPTION		DATE	DWN	APVD	
	C	REV PER ECO-12-013186		18JUL12	PY	DE	



- OPERATING VOLTAGE: 6 KVDC
TEMPERATURE RANGE: -55° C TO +125° C
ALTITUDE: SEA LEVEL TO 70,000 FEET
- THIS PLUG WILL MATE WITH AMP PART NO. 1218148.
- 100% TESTING FOR DWV AND PARTIAL DISCHARGE PER RAYTHEON SPEC. G718649, GROUP A.
- 100% TESTING FOR DWV AND PARTIAL DISCHARGE PER RAYTHEON SPEC. G719581, GROUP A.

REMARKS	DIM A	WIRE DESCRIPTION	PART NUMBER
OBSOLETE	15.00 [381.0]	#24 GA SILICONE COATED FEP .060 O.D. COLOR: RED	1218147-3
	12.50 [317.5]	#24 GA SILICONE COATED FEP .060 O.D. COLOR: RED	1218147-2
	12.50 [317.5]	#24 GA SILICONE COATED FEP .060 O.D. COLOR: RED	1218147-1

THIS DRAWING IS A CONTROLLED DOCUMENT.		DWN C.C.THOMAS 2-9-98	STE TE Connectivity	
DIMENSIONS: INCHES		CHK D.EABY 2-11-98		
TOLERANCES UNLESS OTHERWISE SPECIFIED:		APVD D.EABY 2-11-98	NAME PLUG,MICRO-MIN,LGH	
0 PLC ± - 1 PLC ± - 2 PLC ± .01 [0.3] 3 PLC ± .005 [0.13] 4 PLC ± - ANGLES ± -		PRODUCT SPEC -	-	
MATERIAL -		FINISH -	WEIGHT -	RESTRICTED TO -
		SIZE A2	CAGE CODE 00779	DRAWING NO 1218147
		CUSTOMER DRAWING		SCALE 10:1 SHEET 1 of 1 REV C

1218147

单击下面可查看定价，库存，交付和生命周期等信息

[>>TE Connectivity\(泰科\)](#)