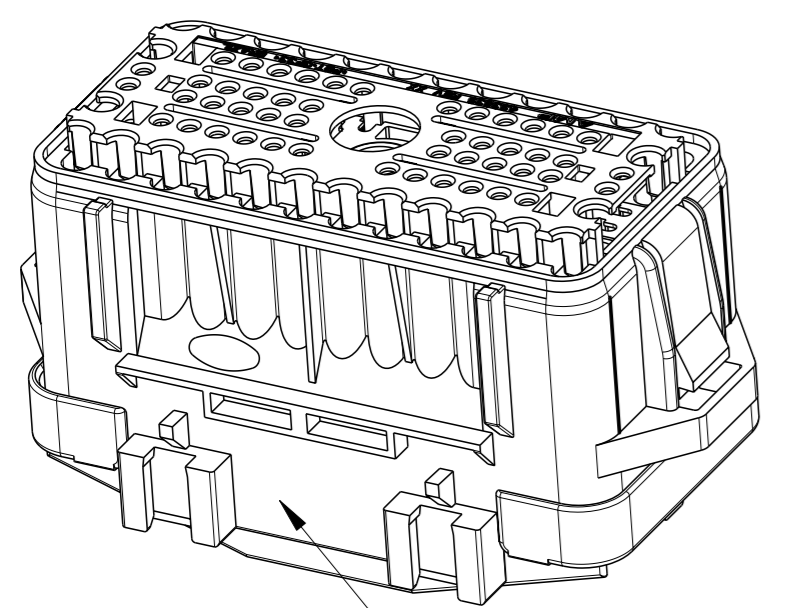
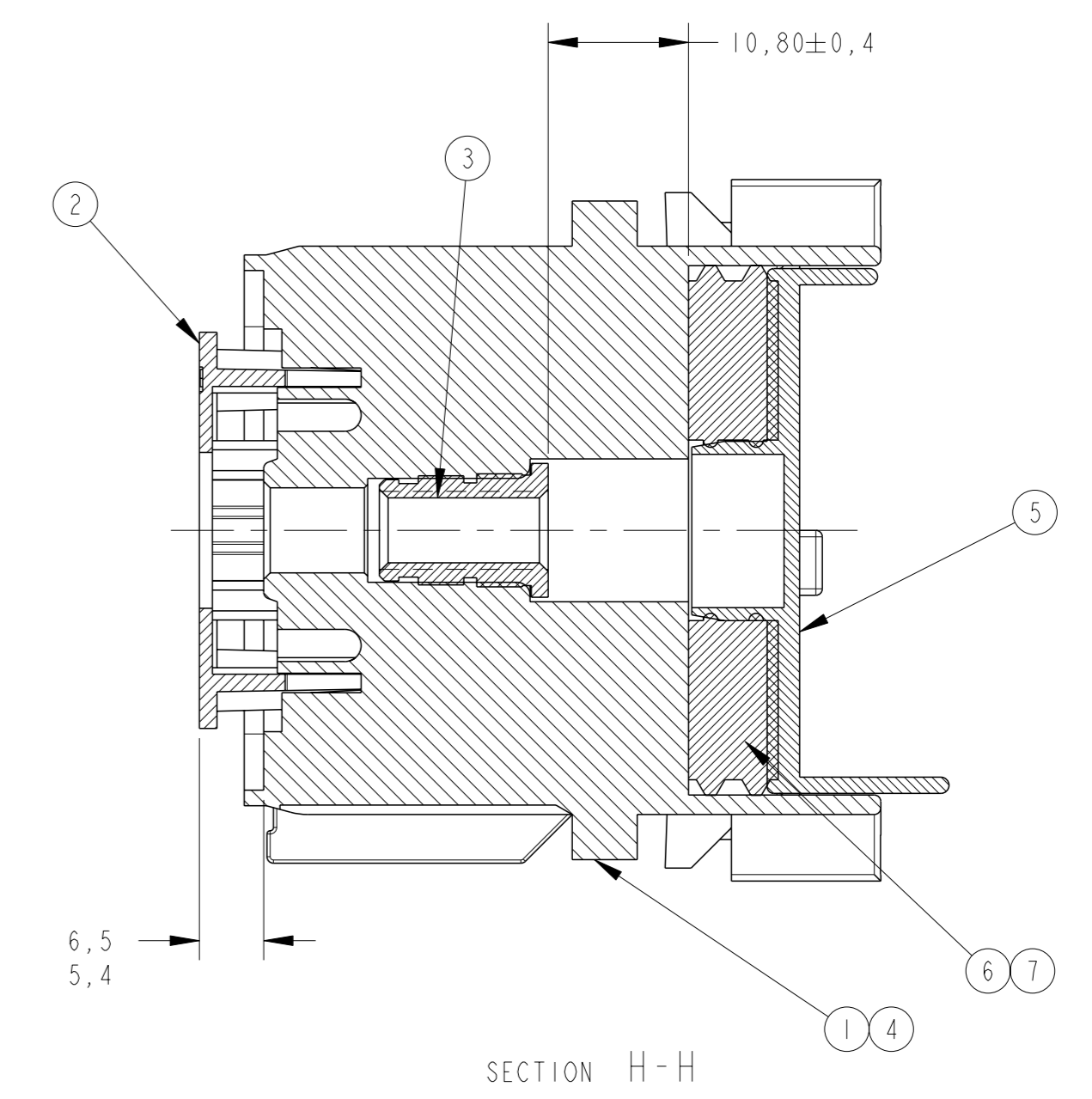
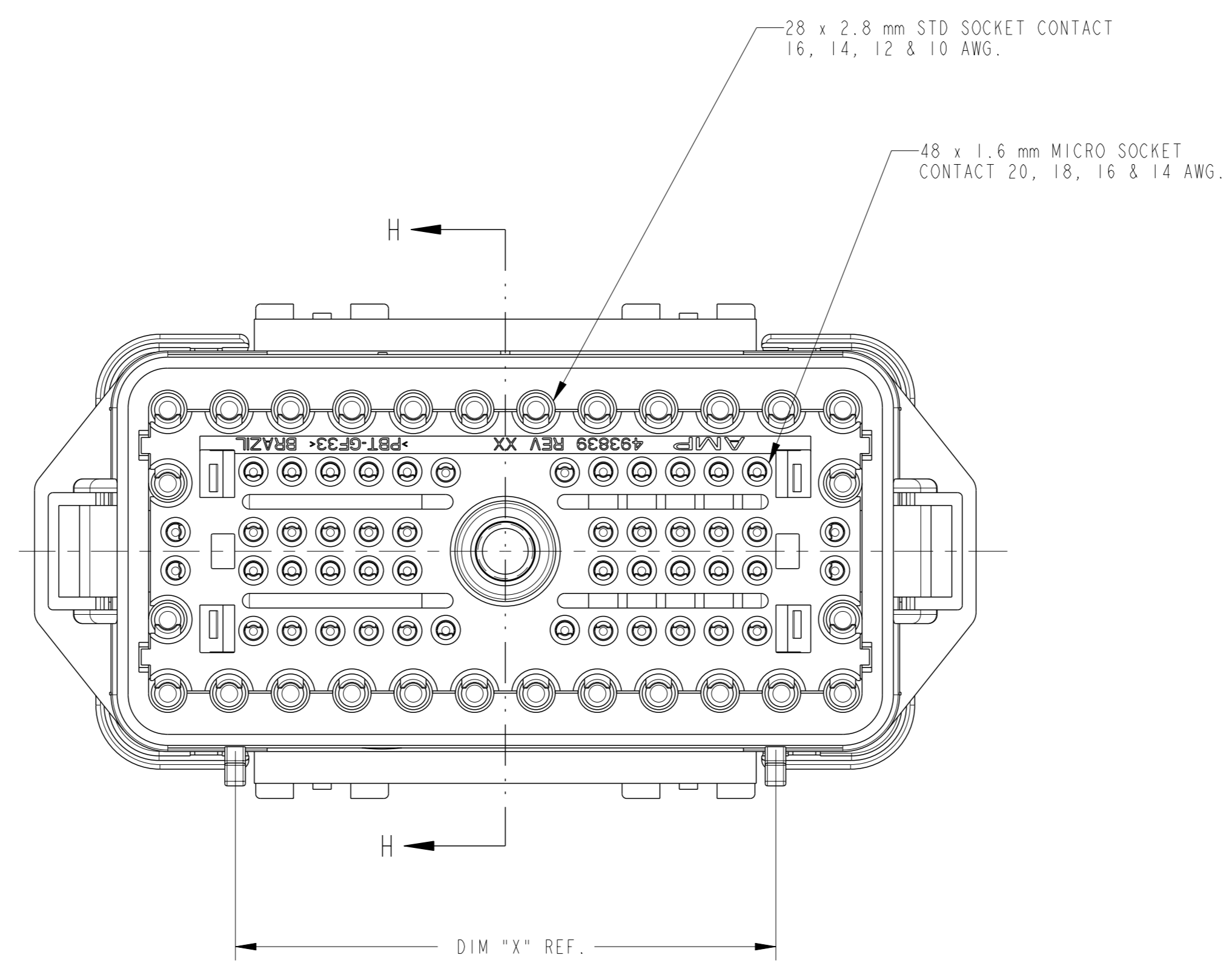
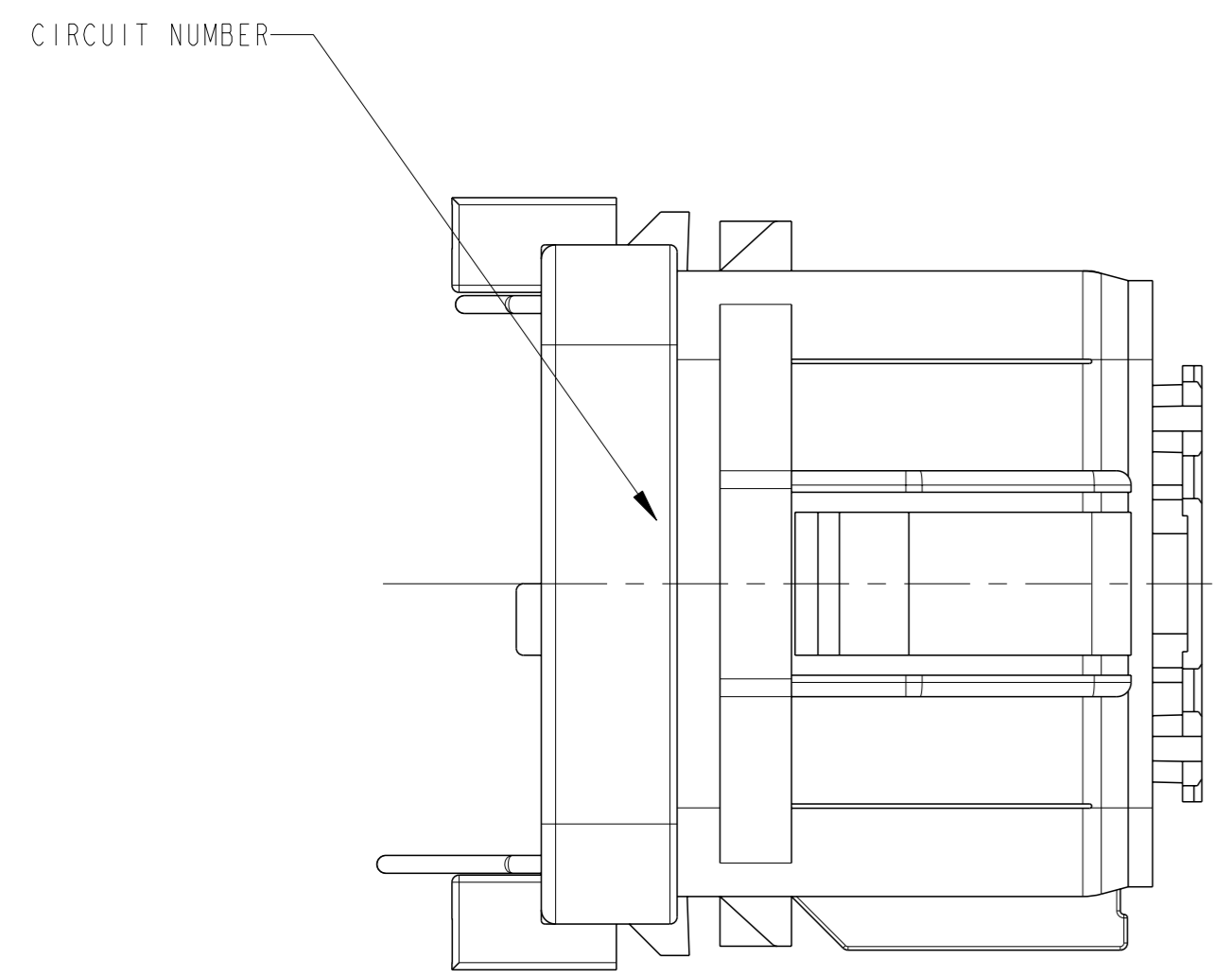


creo
 Creo Parametric 3.0
 DO NOT REVISE
 EXCEPT BY CAD

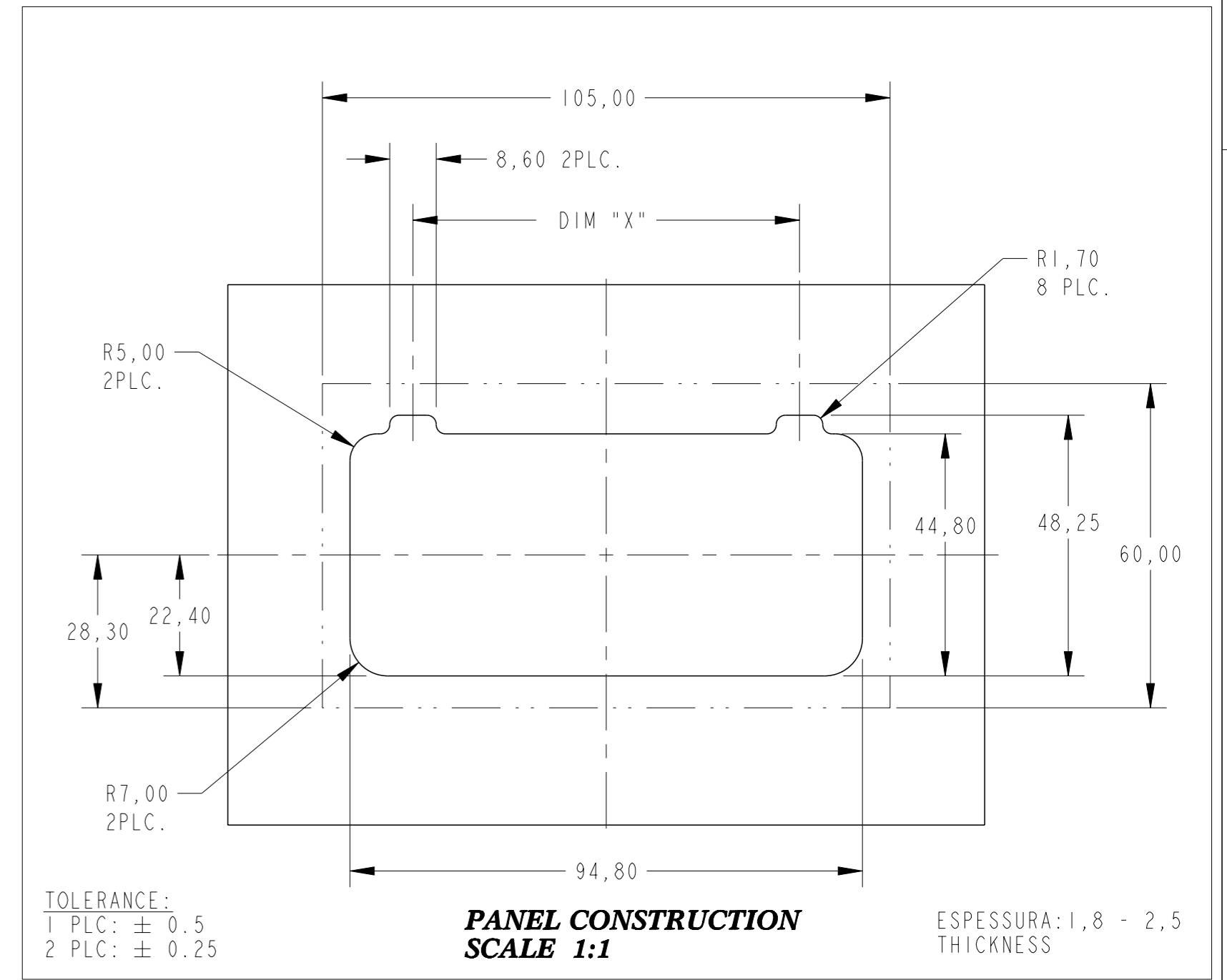
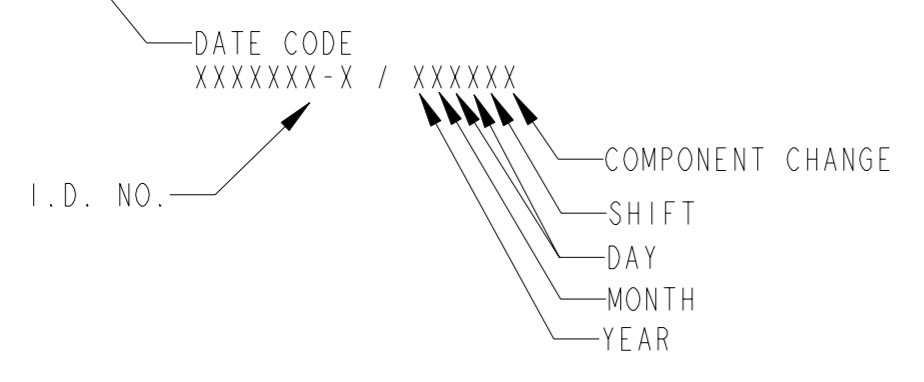
REVISIONS				
REV	DATE	BY	CHKD	APPV
C1	18SEP2018	NCL	NMS	
C2	28OCT2019	PSB	NMS	



KEY	DIM "X"	PART NUMBER
△6	B	71,50 1599186-6
△6	B	71,50 1599186-5
△6	B	71,50 1599186-4
△5	A	59,00 1599186-3
△6	B	71,50 1599186-2
△5	A	59,00 1599186-1

POLARIZATION

- | | |
|--|---|
| <p>1 - PARA ASSEGURAR A COMPATIBILIDADE FUNCIONAL ENTRE AS PEÇAS, ELAS DEVEM SER FERRAMENTADAS JUNTAS E MANUFATURADAS POR UM MESMO PROVEDOR.</p> <p>2 - 1599185 (HSG ASSY 76 POSN PIN CONTACT) DEVE MONTAR COM 1599186 (HSG ASSY 76 POSN SOCKET CONTACT) APROPRIADAMENTE.</p> <p>3 - AS PEÇAS DEVEM ENCAIXAR COMPLETAMENTE USANDO-SE TORQUE NO PARAFUSO DE 4,8±0,8 Nm.</p> <p>4 - PARA EXTRAÇÃO DO TERMINAL UTILIZAR FERRAMENTA CONFORME TE SPEC 411-37031</p> <p>△5 - POLARIZAÇÃO "KEY A"</p> <p>△6 - POLARIZAÇÃO "KEY B".</p> <p>7 - NAO USAR FIO DE 20 AWG ISOLAÇÃO FINA. EXCETO PARA RAICHEM 55E 0,50mm² CABO O.D 1,21-1,31mm.</p> <p>△8 - SOMENTE PROTÓTIPO.</p> | <p>1 - TO ENSURE FUNCTIONAL COMPATIBILITY BETWEEN PARTS THEY MUST BE TOOLED TOGETHER AND MOLDED BY A SINGLE SOURCE.</p> <p>2 - 1599185 (HSG ASSY 76 POSN PIN CONTACT) MUST MATE PROPERLY WITH 1599186 (HSG ASSY 76 POSN SOCKET CONTACT).</p> <p>3 - PARTS MUST FULLY MATE USING 4.8±0.8 Nm TORQUE ON BOLT.</p> <p>4 - FOR TERMINAL EXTRACTION TOOL SEE TE SPEC 411-37031</p> <p>△5 - POLARIZATION "KEY A"</p> <p>△6 - POLARIZATION "KEY B"</p> <p>7 - DO NOT USE 20 AWG THIN WALL INSULATION WIRE. EXCEPT BY RAICHEM 55E 0,50mm² CABLE O.D 1,21-1,31mm.</p> <p>△8 - PROTOTYPE ONLY</p> |
|--|---|



OBSOLETE

REV	DATE	BY	CHKD	APPV	DESCRIPTION	MATERIAL	FINISH
1	-	-	-	-	7 GROMMET 76 POSN.	SILICONE	MARROM/BROWN
-	-	1	-	-	6 GROMMET, WIRE SEAL	SILICONE	AZUL/BLUE
1	1	1	1	1	5 COVER 76 POSN. - WIRE SEAL	PBT 33% GF	NATURAL
1	1	1	-	-	4 HSG 76 POSN SOCKET CONTACT FEMALE	PBT 33% GF	PRETO/BLACK
1	1	1	1	1	3 NUT 6 mm	LATAO/BRASS	-
1	1	1	1	1	2 SPACER 76 POSN. SOCKET CONTACT	PBT 33% GF	VERMELHO/RED
-	-	-	1	-	1 HSG 76 POSN SOCKET CONTACT FEMALE	PBT 33% GF	NATURAL

REV	DATE	BY	CHKD	APPV	DESCRIPTION	MATERIAL	FINISH																																																																						
△8	6	-	5	-	4	-	3	-	2	-	1	TOTAL HOLES	TE PART NUMBER																																																																
76	75	74	73	72	71	70	69	68	67	66	65	64	63	62	61	60	59	58	57	56	55	54	53	52	51	50	49	48	47	46	45	44	43	42	41	40	39	38	37	36	35	34	33	32	31	30	29	28	27	26	25	24	23	22	21	20	19	18	17	16	15	14	13	12	11	10	9	8	7	6	5	4	3	2	1		

OBSOLETE

1599186

REQUIREMENTS FOR THIS PRODUCT TO BE USED IN THE MILITARY AND AEROSPACE INDUSTRIES SHOULD BE CONTACTED FOR THE LATEST REVISION.

OWN: E. LOPES 23APR2004
 CHK: P. L. FARIA 23APR2004
 APPV: D. A. OLIVEIRA 23APR2004

NAME: HOUSING ASSY 76 POSN., SOCKET CONTACT

SIZE: A1 CAGE CODE: 00779 DRAWING NO: 1599186

RESTRICTED TO: RESTRICTED CUSTOMER

SCALE: 2:1 SHEET: 1 OF 1 REV: C2

单击下面可查看定价，库存，交付和生命周期等信息

[>>TE Connectivity\(泰科\)](#)