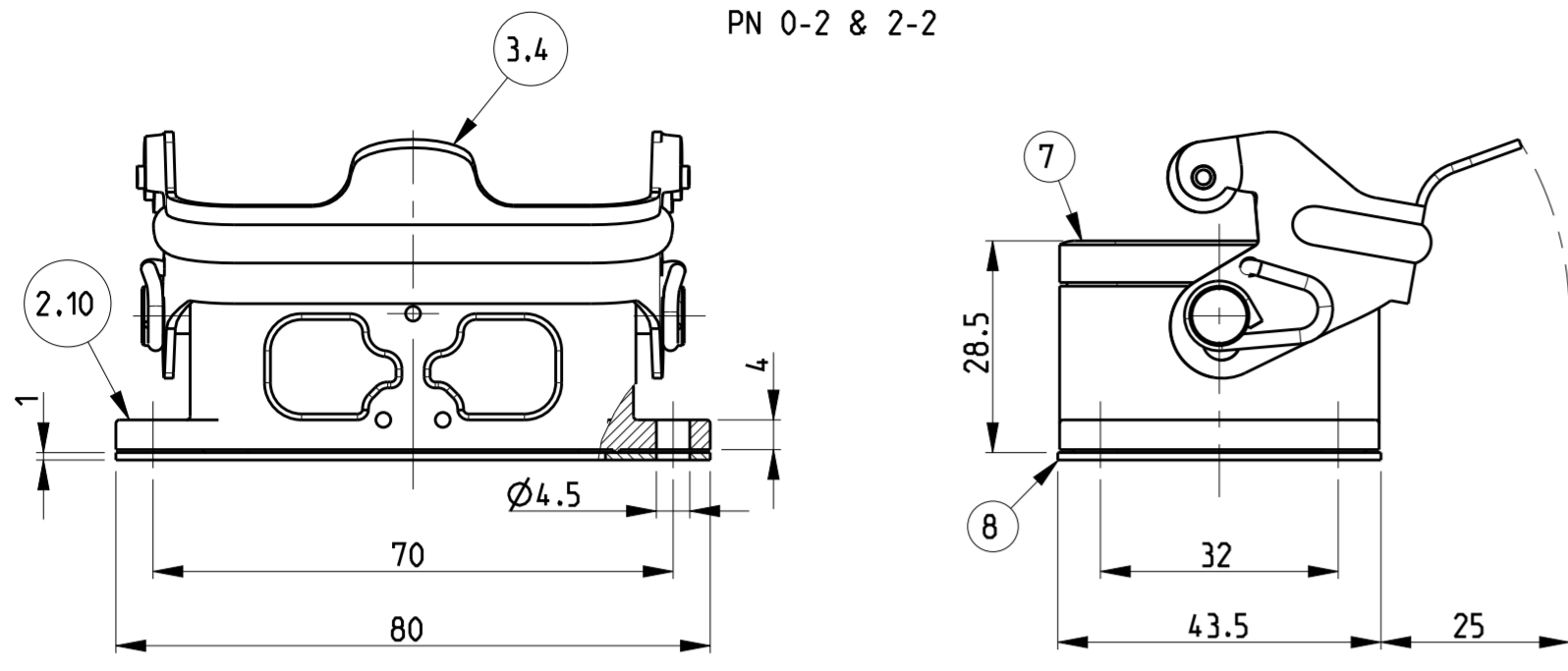


THIS DRAWING IS UNPUBLISHED. RELEASED FOR PUBLICATION .1997  
 © COPYRIGHT 1997 BY - ALL RIGHTS RESERVED.

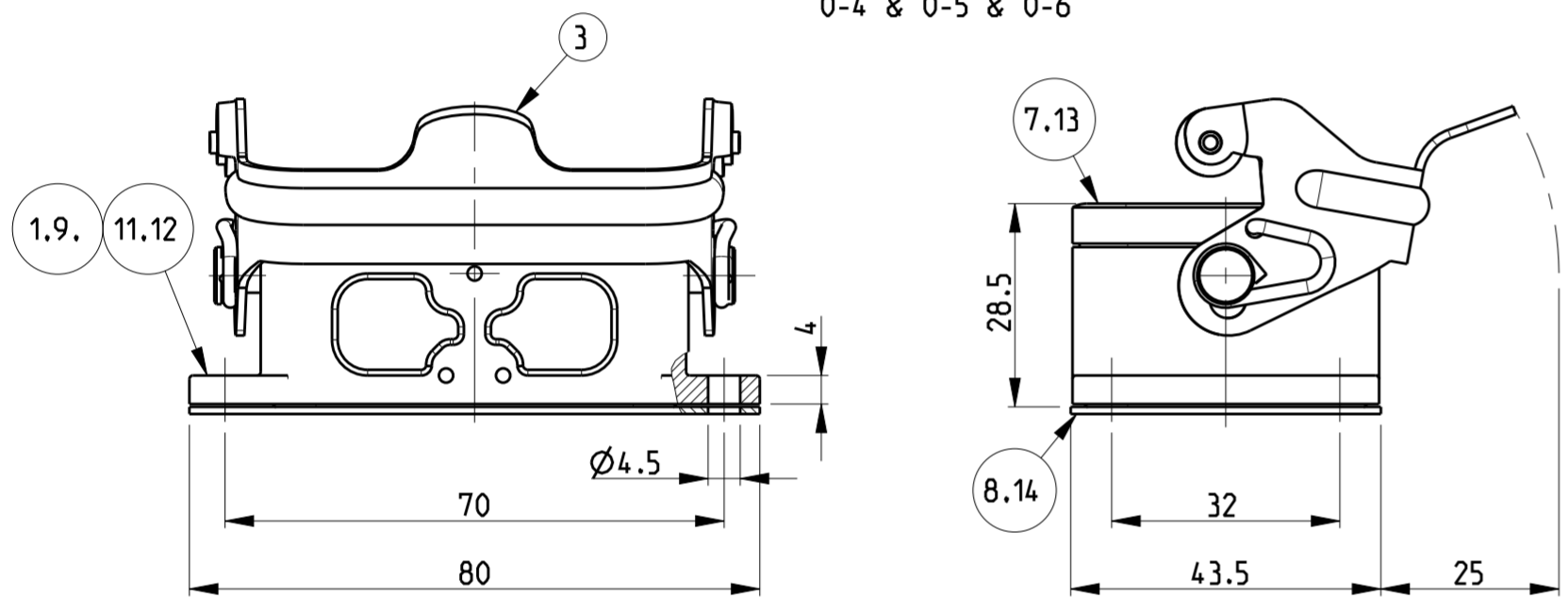
| REVISIONS |     |               |           |     |      |
|-----------|-----|---------------|-----------|-----|------|
| P         | LTR | DESCRIPTION   | DATE      | DWN | APVD |
| B         |     | ECR-15-015803 | 19APR2016 | GCM | JB   |
| B1        |     | ECR-16-015318 | 16AUG2017 | GR  | MKO  |
| B2        |     | ECR-16-016768 | 15NOV2017 | GR  | MKO  |
| B3        |     | ECR-17-013084 | 28MAR2018 | SG  | MKO  |

- NOTES.
- 1 Material:Housing:Aluminium Diecasting Alloy  
Seals: Neoprene
  - 2 Surface-Varnish Grey  
-Aluminium Oxide +  
Varnish Black
  - 3 Varnish on the inside not necessary
  - 4 Packaging  
Quantity 5 Pieces in a box

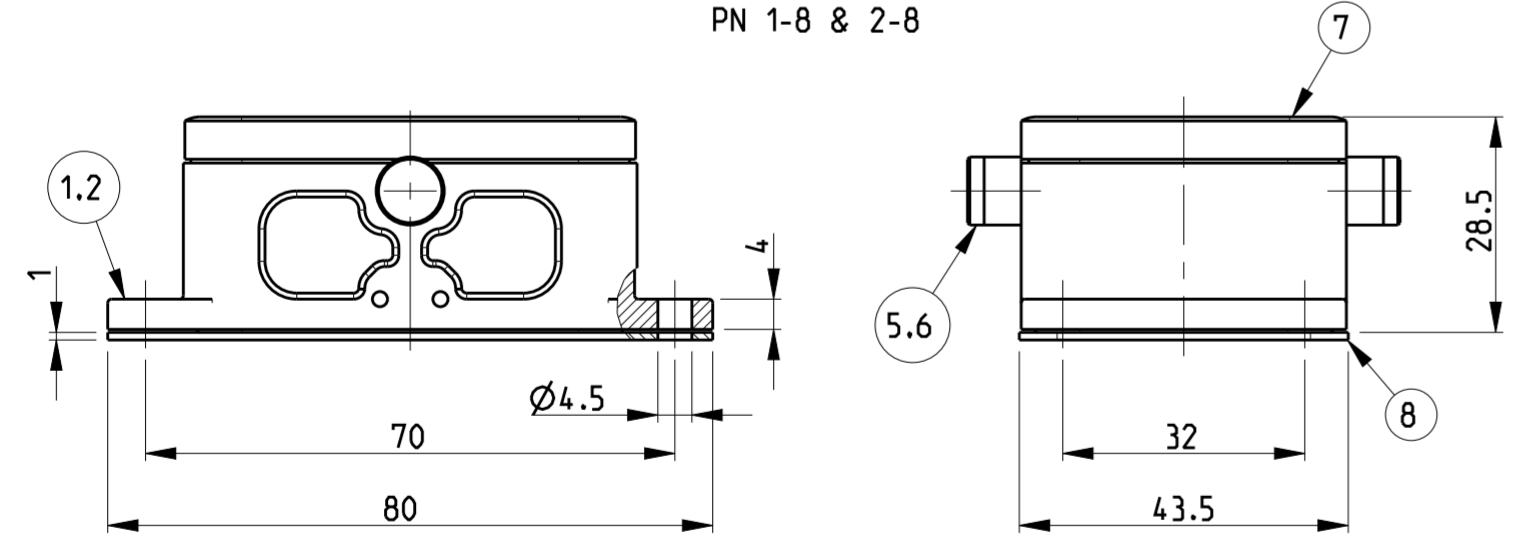
PN 0-2 & 2-2



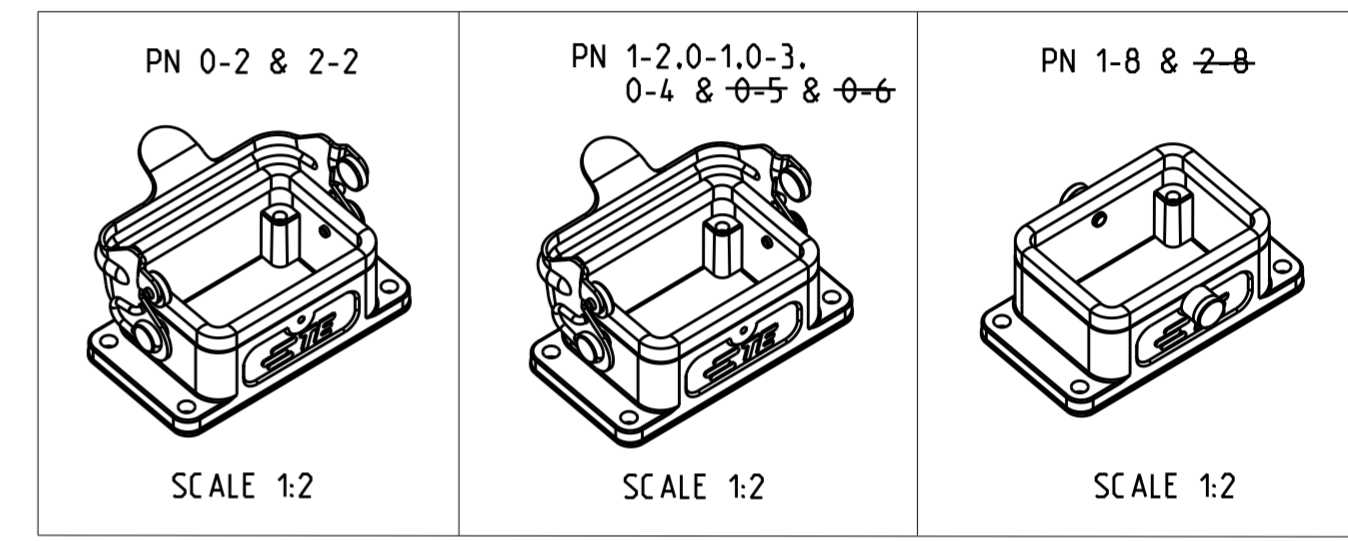
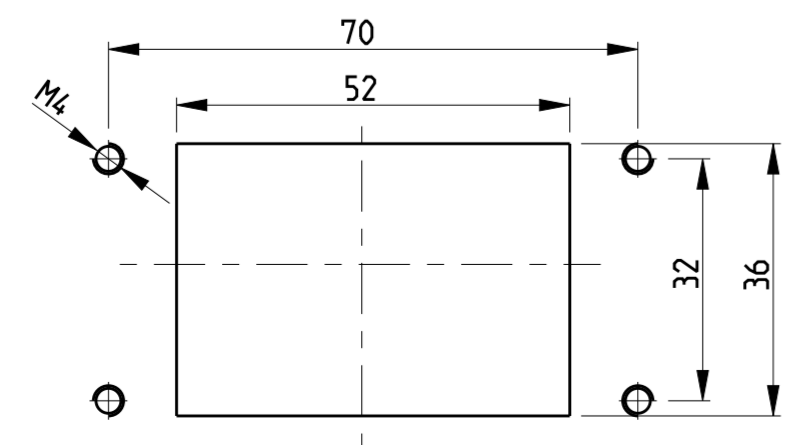
PN 1-2.0-1.0-3.0-4 & 0-5 & 0-6



PN 1-8 & 2-8



Panel cut-out



| QTY | DESCRIPTION                               | MATERIAL        | SURFACE         | COLOR           | ITEM NO | NOTES        |
|-----|---|-----------------|-----------------|-----------------|---------|--------------|
| 1   | Flange seal                               | Viton           |                 |                 | 14      |              |
| 1   | Profile seal                              | Viton           |                 |                 | 13      |              |
| 1   | Surface mounted housing bottom entry HB   | Aluminium       |                 | White RAL 9010  | 12      | Without logo |
| 1   | Surface mounted housing bottom entry HB   | Aluminium       |                 | Grey            | 11      | Without logo |
| 1   | Surface mounted housing bottom entry HB   | Aluminium       |                 | Without varnish | 10      |              |
| 1   | Surface mounted housing bottom entry HB   | Aluminium       |                 | Borning ried    | 9       |              |
| 1   | Flange seal                               | Neoprene        |                 | Black           | 8       |              |
| 1   | Profile seal                              | Neoprene        |                 | Black           | 7       |              |
| 2   | ZB-Clip bolt                              | Stainless steel |                 |                 | 6       |              |
| 2   | ZB-Clip bolt                              | Steel           | Zinc plated     | Blue            | 5       |              |
| 1   | LB-Side clip                              | Stainless steel |                 |                 | 4       |              |
| 1   | LB-Side clip                              | Steel           | Zinc plated     | Blue            | 3       |              |
| 1   | Surface mounted housing bottom entry HB-K | Aluminium       | Aluminium oxide | Black           | 2       |              |
| 1   | Surface mounted housing bottom entry HB   | Aluminium       |                 | Grey            | 1       |              |

ORDERING TEXT  
 HB.6.AG-LB  
 HB-K.6.AG-LB  
 HB-Z.6.AG-ZVGR  
 HB-K/Z.6.AG-ZVGR  
 HB.6.AG-LB  
 HB.6.AG-LB  
 HB.6.AG-LB  
 HB.6.AG-LB-LB  
 HB.6.AG-LB-KM  
 HB.6.AG-LB  
 HB.6.AG-LB

THIS DRAWING IS A CONTROLLED DOCUMENT.

DWN: Schweiger 23.07.1997  
 CHK: Kramer 26.06.1998  
 APVD: Kramer

PRODUCT SPEC: 108-74001/74003  
 APPLICATION SPEC: 114-74004/74005

WEIGHT: -

CUSTOMER DRAWING

NAME: Surface mounted housing bottom entry HB6

SIZE: A2 CAGE CODE: 00779 DRAWING NO: C-1102244 RESTRICTED TO: B3

SCALE: 1:1 SHEET: 1 OF 1

单击下面可查看定价，库存，交付和生命周期等信息

[>>TE Connectivity\(泰科\)](#)