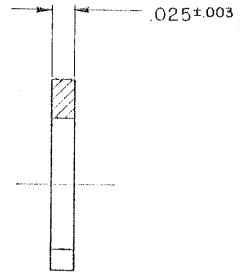
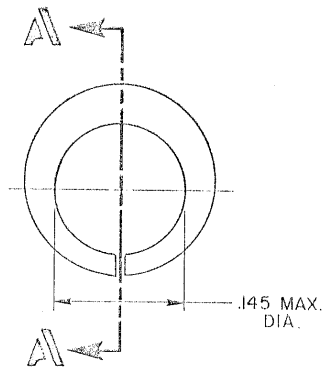


REVISIONS			
REV	LET	DESCRIPTION	DATE
A		REVISED PER CON 7-218,237	27 5/1/79



SECTION A-A

- 1. MATERIAL: BERYLLIUM COPPER PER QQ-C-533.
- 2. FINISH: CADMIUM PLATE PER QQ-P-416 CL2, TYPE II.
- 3. WEIGHT: .00014 Lbs. [.0635g.] MAX.

© Raychem Corporation 1979

CONNECTOR SPECIFICATION CONTROL DRAWING

UNLESS OTHERWISE SPECIFIED DIMENSIONS ARE IN INCHES BRACKETED DIMENSIONS () ARE METRIC AND TOLERANCES ARE: .XXX: ± .005 (.127mm) .XX: ± () Δ: ±	DRAWN	A M LEE	6-20-79	Raychem <small>RAYCHEM CORPORATION 390 CONSTITUTION DRIVE MENLO PARK, CALIFORNIA 94025</small>
	CHECKED	[Signature]	6-10-79	
	APPROVED	[Signature]	6-28-79	TITLE
	APPROVED			RING, RETAINING
	APPROVED			
	PROJECT	6448-7072	SIZE	CODE IDENT
			C	NO. 06090
			DWG. NO.	CTA-0029
			WEIGHT	△
			SHEET	/ OF /

If this document is printed it becomes uncontrolled.
 Check with the web for latest revision.

DO NOT SCALE THIS DRAWING

单击下面可查看定价，库存，交付和生命周期等信息

[>>TE Connectivity\(泰科\)](#)