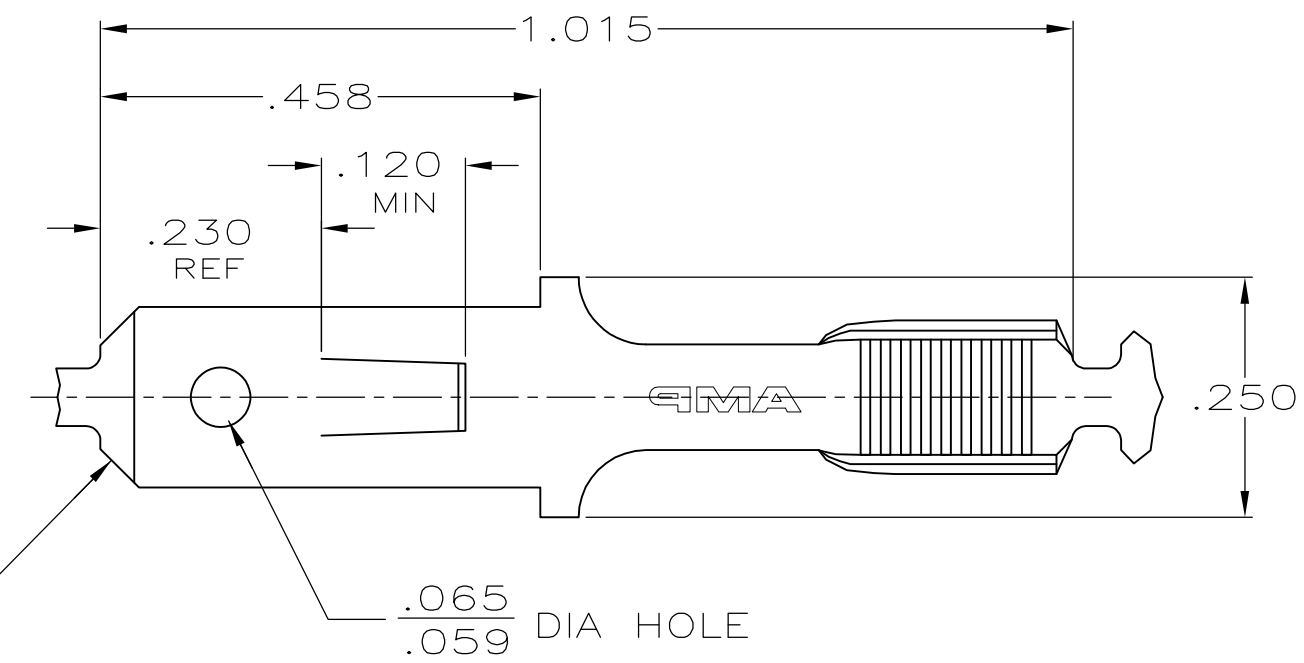


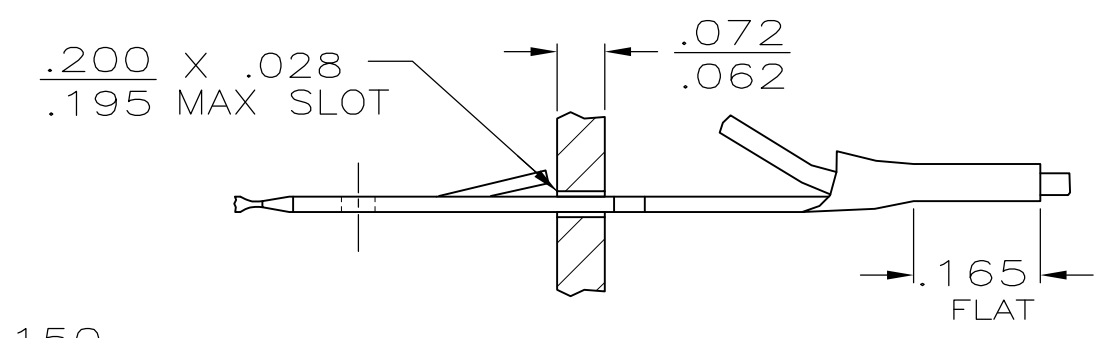
THIS DRAWING IS UNPUBLISHED. RELEASED FOR PUBLICATION
 © COPYRIGHT - By - ALL RIGHTS RESERVED.

LOC	DIST	REVISIONS			
P	LTR	DESCRIPTION	DATE	DWN	APVD
AF	50	K1	REVISED PER ECR-15-004720	08JUN2015	GRZ RP

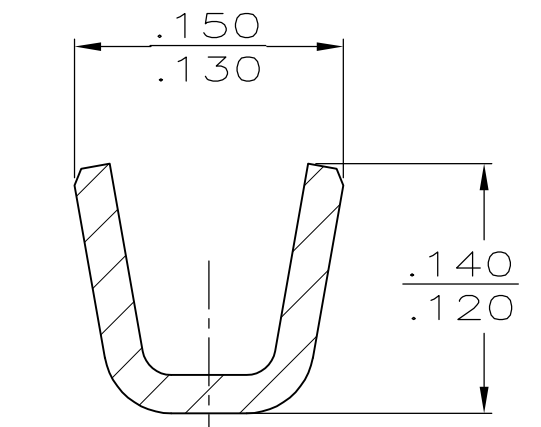
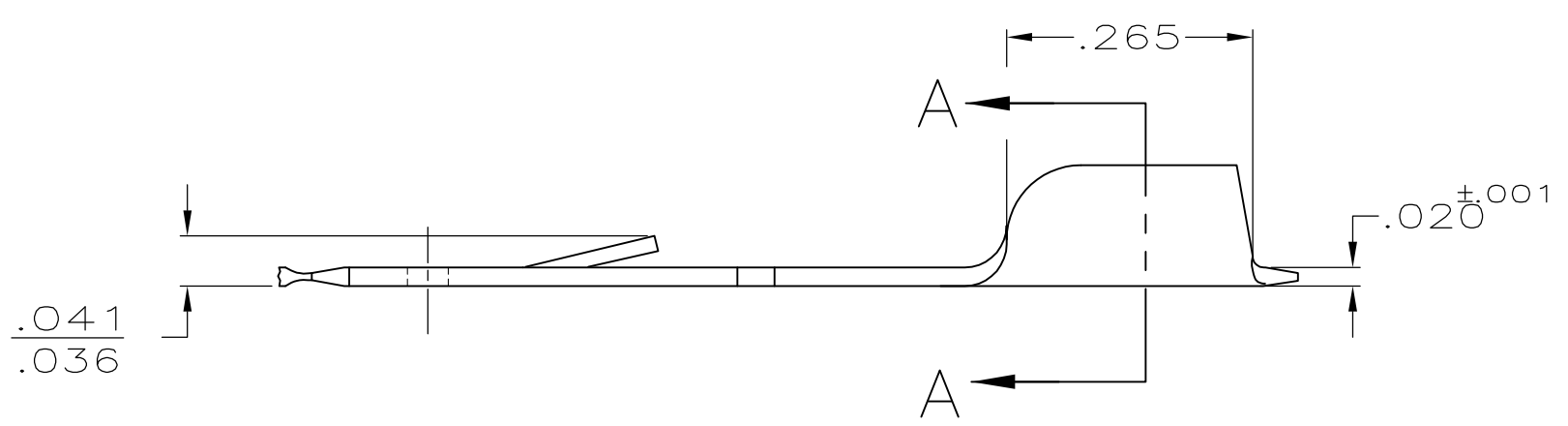
- 1 CONTINUOUS STRIP ON REELS
- 2 REVERSE REELING OF 62447-1
- 3 VARNISH RESIST



FITS .187 SERIES FASTON RECEPTACLE



INSTALLED VIEW PIGTAIL CRIMP



SECTION A-A

OBSOLETE

#22-16 MAGNET WIRE 600 - 3000 CMA	2	62447-4	3
	2	62447-3	3
	2	62447-2	3
		62447-1	
WIRE SIZE	PART NO		

THIS DRAWING IS A CONTROLLED DOCUMENT.		DWN	JR RUTH	2/19/92	TE Connectivity TAB, AMPLIVAR, FASTON-FASTON, .187 SERIES							
DIMENSIONS: INCHES		CHK	MS FEHER	2/19/92								
TOLERANCES UNLESS OTHERWISE SPECIFIED:		APVD	J GILLESPIE	2/19/92								
0 PLC ± - 1 PLC ± - 2 PLC ± - 3 PLC ± .015 4 PLC ± - ANGLES ± -		PRODUCT SPEC		NAME								
MATERIAL	BRASS	FINISH	TIN .000080 MIN	APPLICATION SPEC	SIZE	A3	CAGE CODE	00779	DRAWING NO	C-62447	RESTRICTED TO	-
CUSTOMER DRAWING				WEIGHT	-	SCALE	5:1	SHEET	1 OF 1	REV	K1	

单击下面可查看定价，库存，交付和生命周期等信息

[>>TE Connectivity\(泰科\)](#)