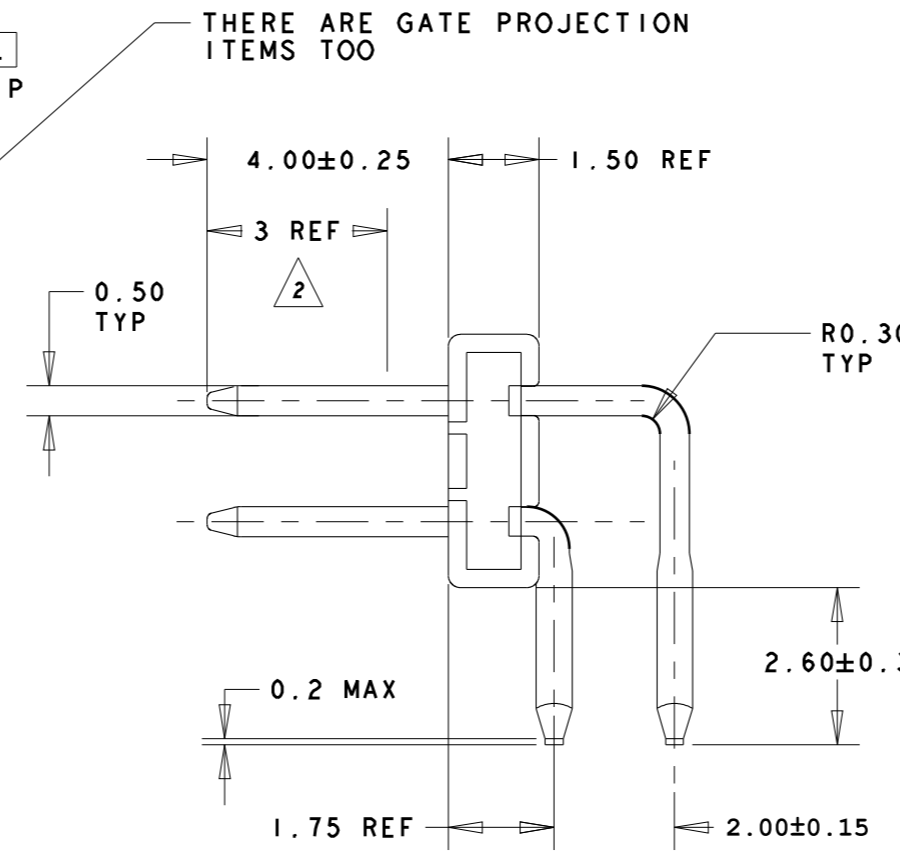
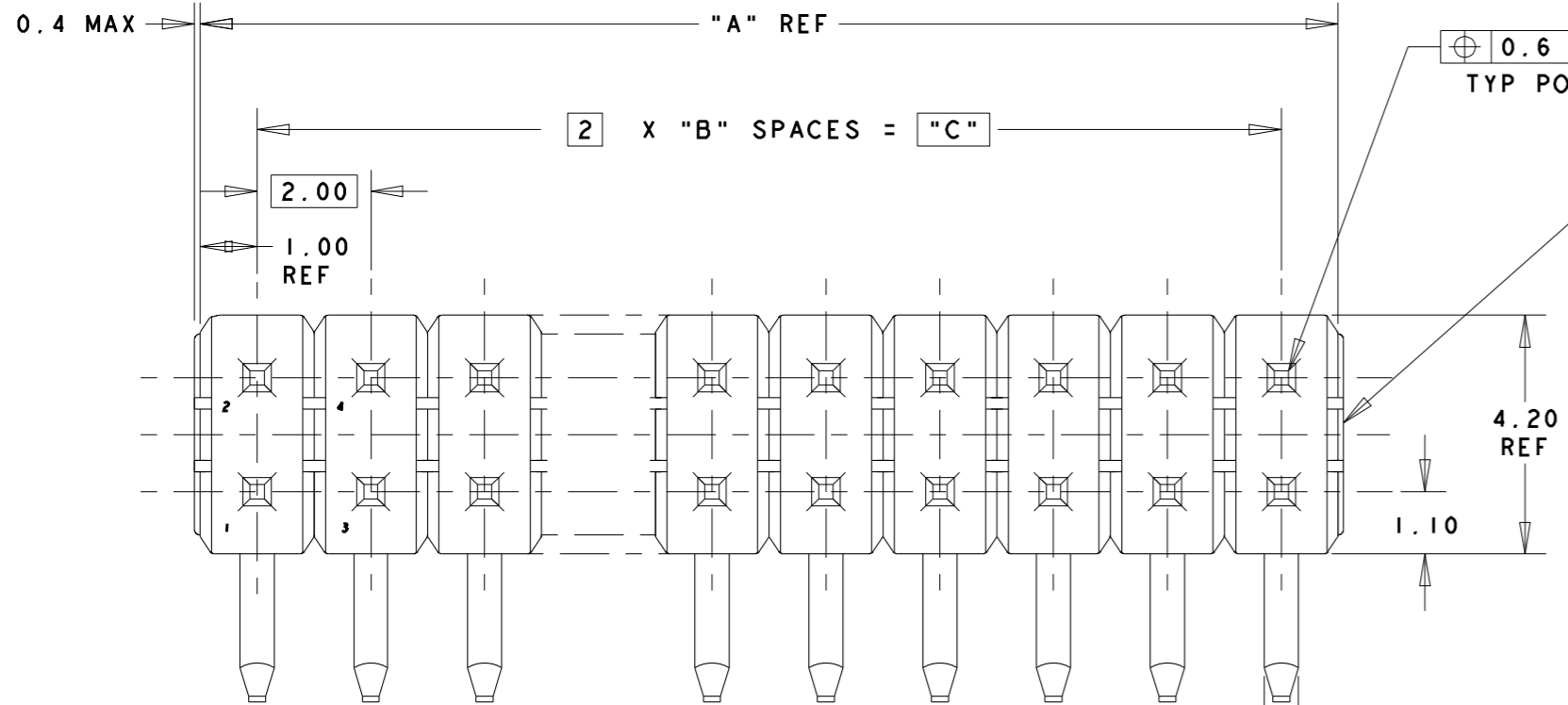


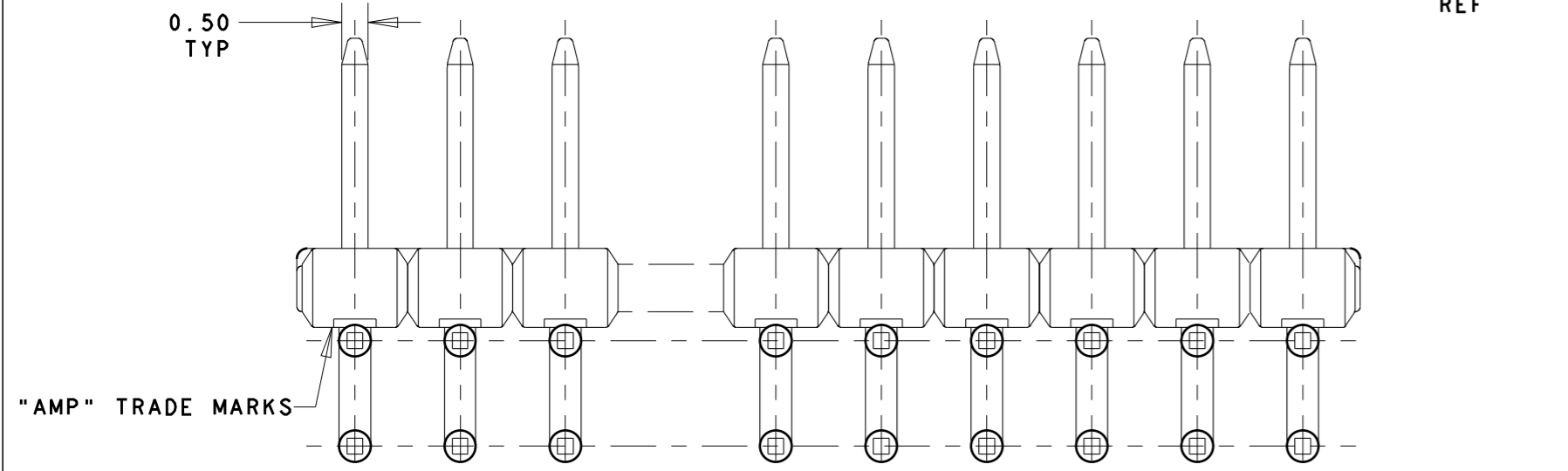
THIS DRAWING IS UNPUBLISHED. RELEASED FOR PUBLICATION .19
 © COPYRIGHT 19 BY AMP INCORPORATED. ALL RIGHTS RESERVED.

LOC	DIST	REVISIONS				
DESCRIPTION	DATE	DWN	APVD			
DY	-	A1	REVISED PER ECO-15-001759	16FEB2015	NK	JO



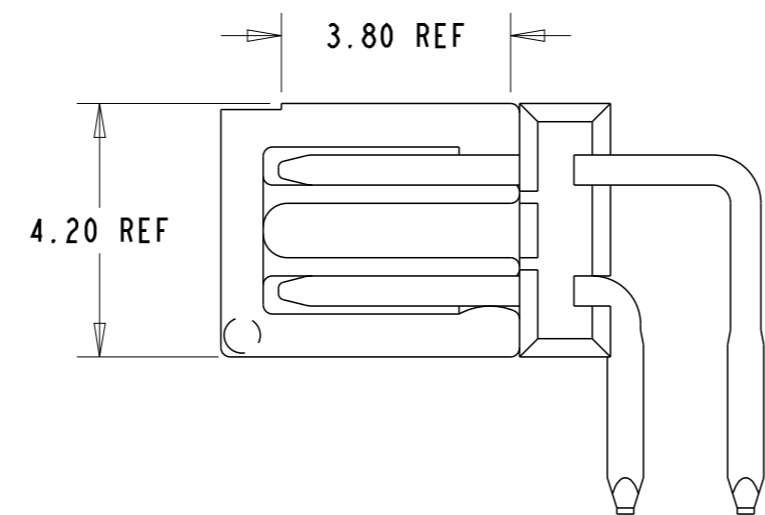
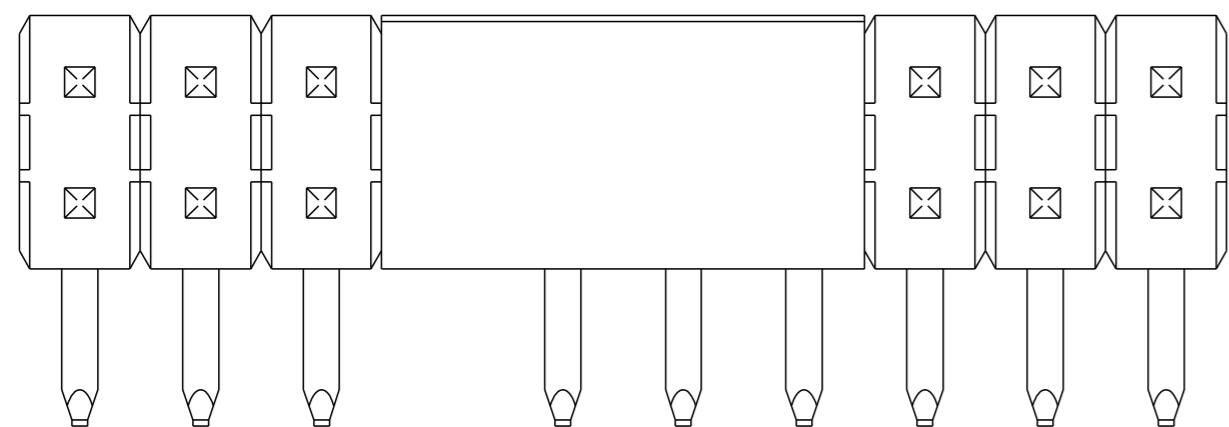
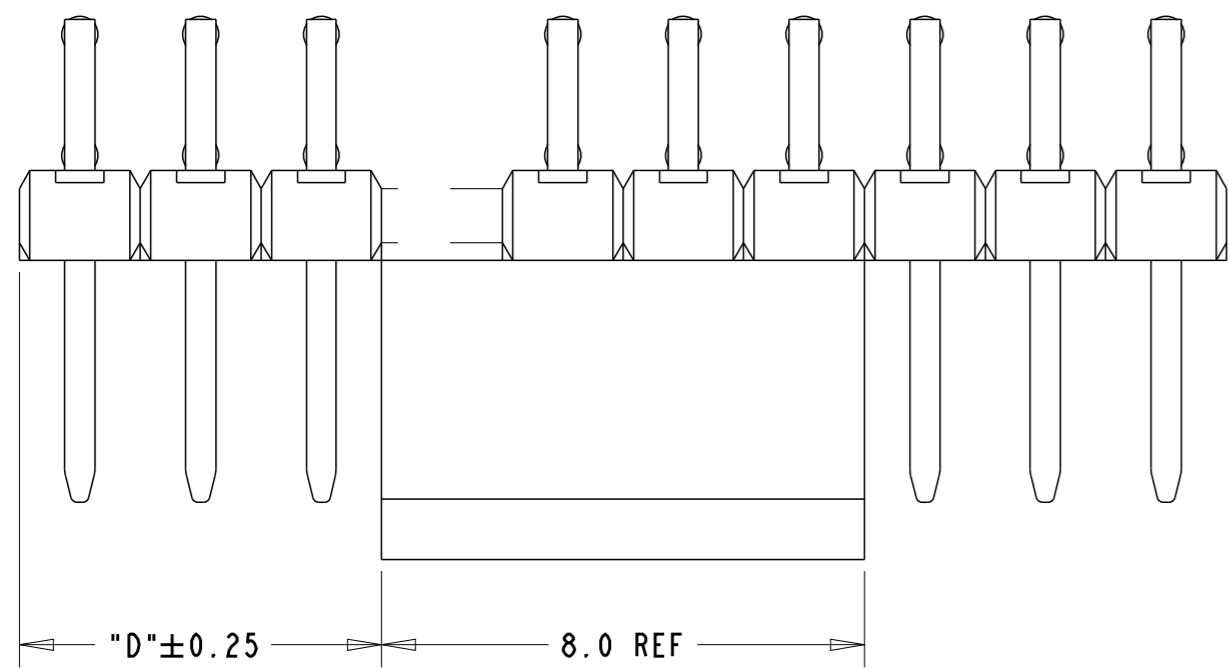
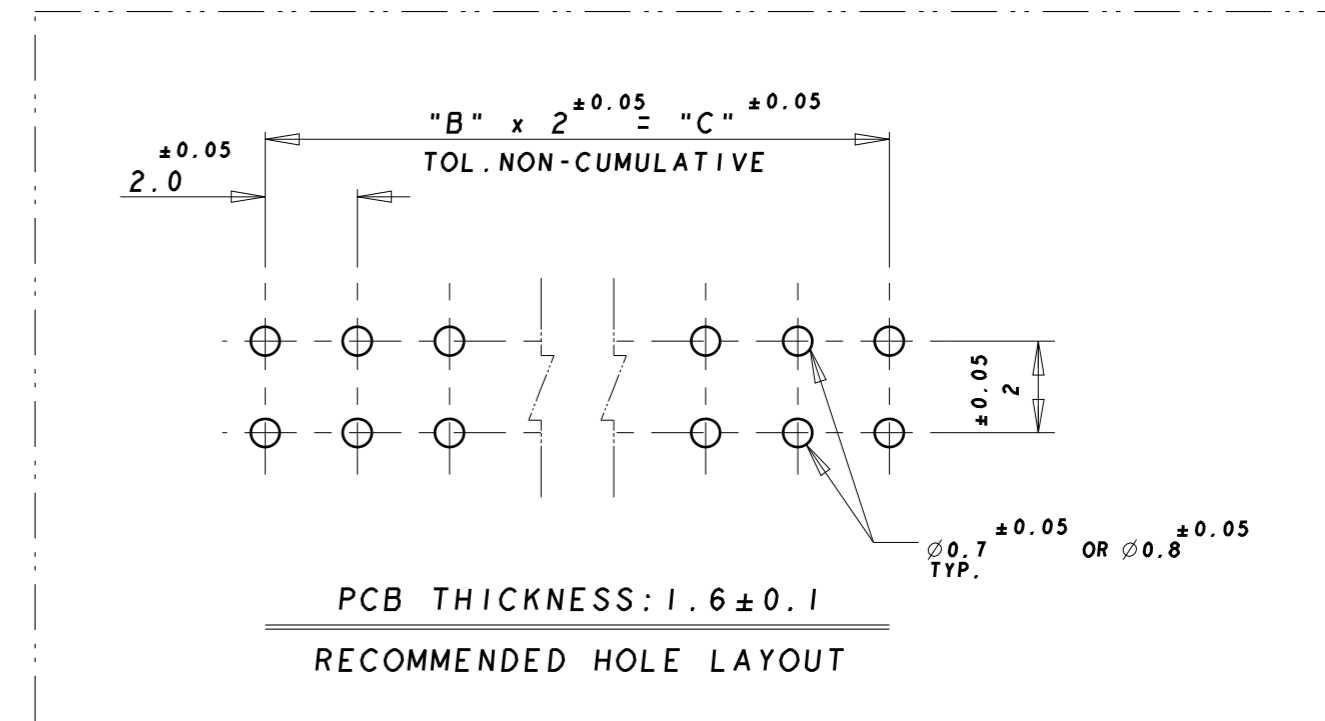
NOTES:

- 1 MATERIALS:
HOUSING : THERMOPLASTIC, HI-TEMP, UL 94V-0, BLACK
PICKUP CAP: THERMOPLASTIC, HI-TEMP, UL 94V-0, BLACK
POST : COPPER ALLOY
- 2 FINISH:
CONTACT AREA: GOLD 0.0002 MIN. ON
NICKEL 0.0013 MIN. ALL OVER
POST TINE : MATTE TIN 0.001 MIN.
- 3 PICKUP CAP IS AT MID-LENGTH OF CONNECTOR.
- 4 PICKUP CAP IS OFF MID-LENGTH OF CONNECTOR.



AS SHOWN WITHOUT PICKUP CAP FOR CLARITY.

AS SHOWN WITH PICKUP CAP.



4	2	12	6	14	14	1-1735919-4
3	2	10	5	12	12	1-1735919-2
REMARKS	"D"	"C"	"B"	"A"	NO OF POS	ASSY PN

THIS DRAWING IS A CONTROLLED DOCUMENT FOR AMP INCORPORATED. IT IS SUBJECT TO CHANGE AND THE CONTROLLING ENGINEERING ORGANIZATION SHOULD BE CONTACTED FOR THE LATEST REVISION.

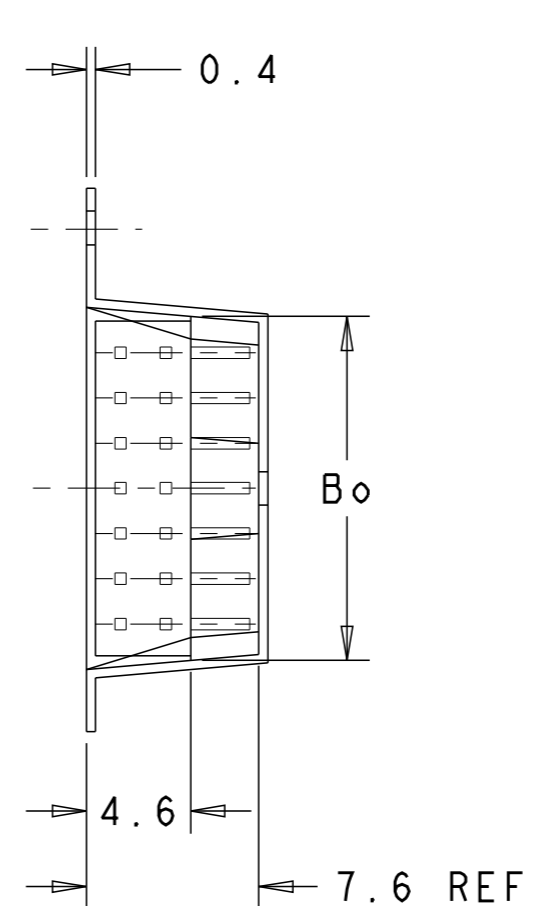
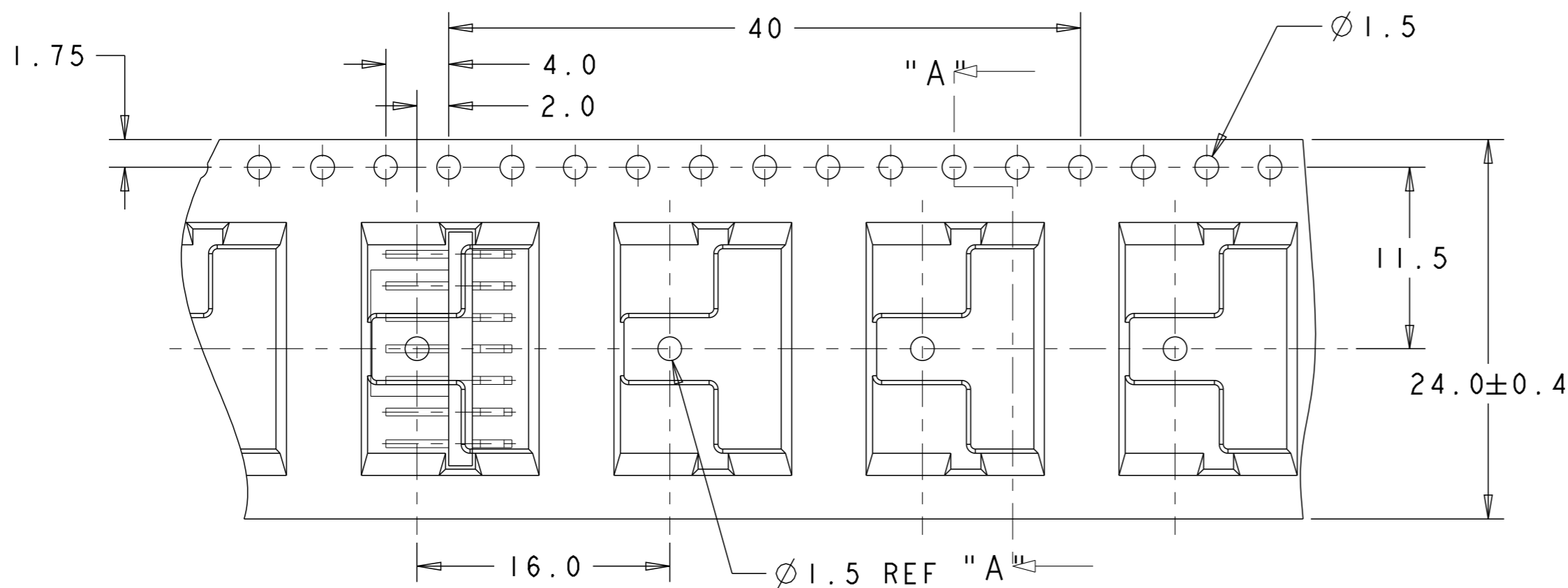
DIMENSIONS:	TOLERANCES UNLESS OTHERWISE SPECIFIED:	DWN	07MAR2005	TE Connectivity Singapore	
mm	0 PLC ±0.25 1 PLC ±0.2 2 PLC ±0.2 3 PLC ± 4 PLC ±	CHK	VINCENT TAN	NAME	
	ANGLES ±3°	APVD	SF LEONG	AMPMODU 2mm PITCH POST HEADER, DOUBLE ROW, HORI. TYPE, L=2.6, HI-TEMP, WITH PICKUP CAP IN TAPE n REEL	
MATERIAL	FINISH	PRODUCT SPEC	-	SIZE	CAGE CODE
1	2	APPLICATION SPEC	-	A2	00779
CUSTOMER DRAWING			WEIGHT	DRAWING NO	C=1735919
			SCALE	SHEET	1 OF 2
			REV	A1	

C-1735919

A

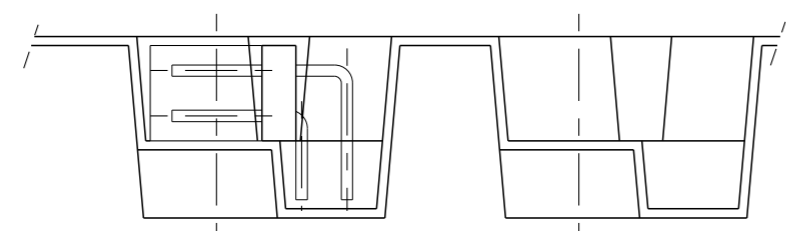
THIS DRAWING IS UNPUBLISHED. RELEASED FOR PUBLICATION .19
 BY AMP INCORPORATED. ALL RIGHTS RESERVED.

LOC	DIST	REVISIONS			
P	LTR	DESCRIPTION	DATE	DWN	APVD
DY	-	SEE SHEET 1	-	-	-



NOTES

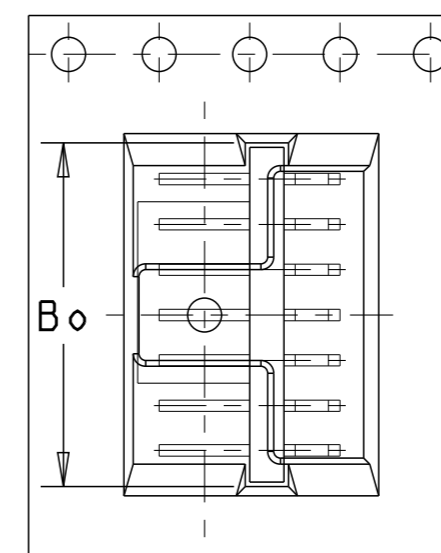
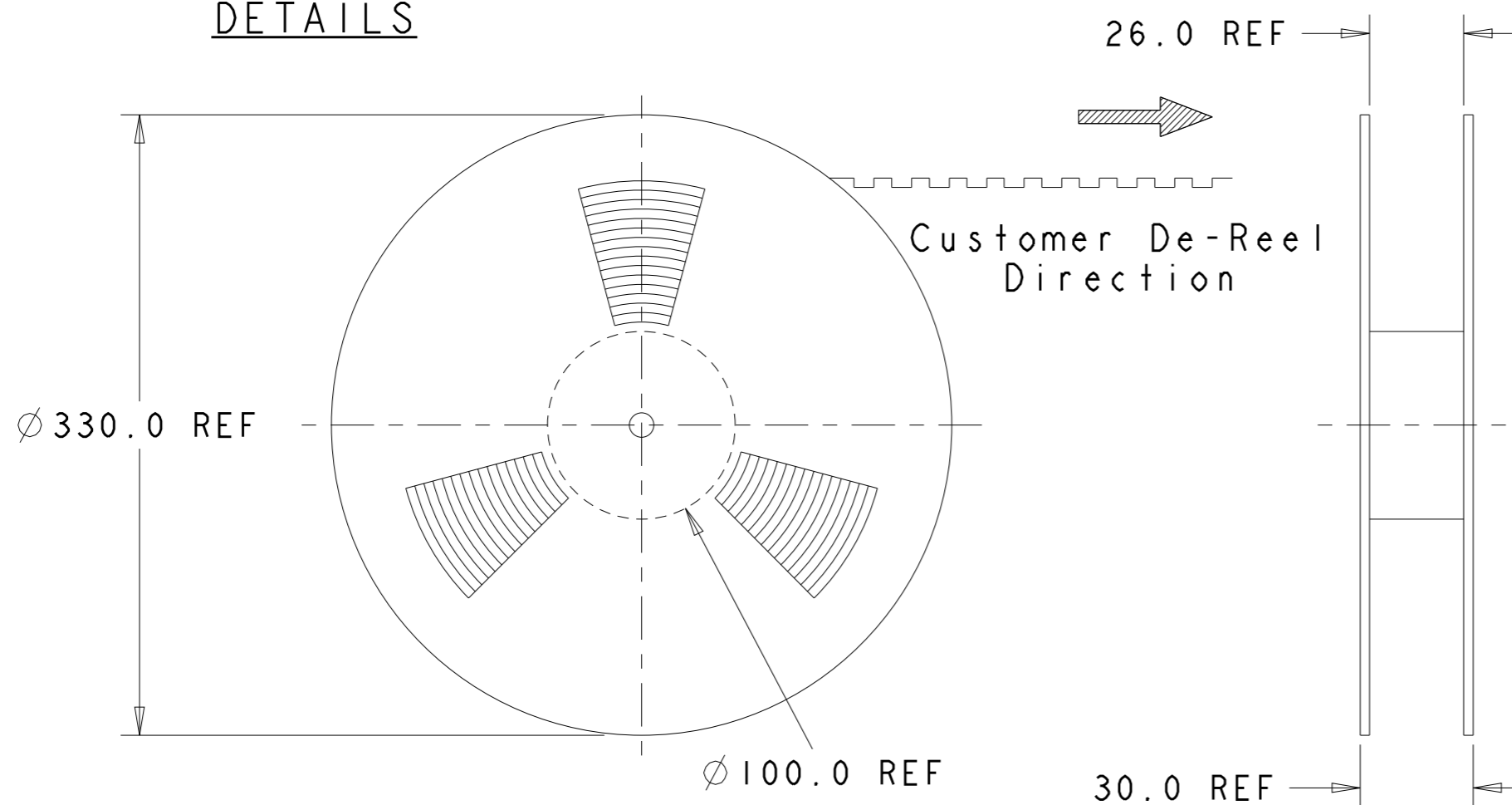
- 11. MATERIALS:
 CARRIER TAPE : PS, BLACK, STATIC DISSIPATIVE
 COVER TAPE : PET, CLEAR
 REEL : PS, WHITE/BLACK, ANTI-STATIC
- 12. 475 POCKETS/REEL; 400 COMPONENTS/REEL



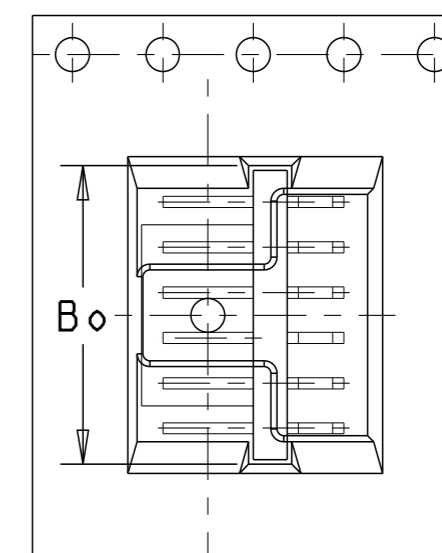
Customer De-reel Direction

SECTION A-A

PLASTIC REEL DETAILS



AS SHOWN FOR PN 1- -4



AS SHOWN FOR PN 1- -2.

PN 1-1735919-4 AS SHOWN FOR EXAMPLE.

4	15.2	14	1-1735919-4
3	13.2	12	1-1735919-2
REMARKS	"Bo"	NO OF POS	ASSY PN

<small>THIS DRAWING IS A CONTROLLED DOCUMENT FOR AMP INCORPORATED. IT IS SUBJECT TO CHANGE AND THE CONTROLLING ENGINEERING ORGANIZATION SHOULD BE CONTACTED FOR THE LATEST REVISION.</small>		DWN WYLEE 07MAR2005 CHK VINCENT TAN APVD SF LEONG PRODUCT SPEC - APPLICATION SPEC - WEIGHT - CUSTOMER DRAWING	TE Connectivity Singapore NAME AMPMODU 2mm PITCH POST HEADER, DOUBLE ROW, HORI. TYPE, L=2.6, HI-TEMP, WITH PICKUP CAP IN TAPE n REEL SIZE A2 CAGE CODE 00779 DRAWING NO C-1735919
DIMENSIONS: mm 	TOLERANCES UNLESS OTHERWISE SPECIFIED: 0 PLC ±0.25 1 PLC ±0.2 2 PLC ±0.2 3 PLC ± 4 PLC ± ANGLES ±3° FINISH	SCALE - SHEET 2 OF 2 REV A1	

单击下面可查看定价，库存，交付和生命周期等信息

[>>TE Connectivity\(泰科\)](#)