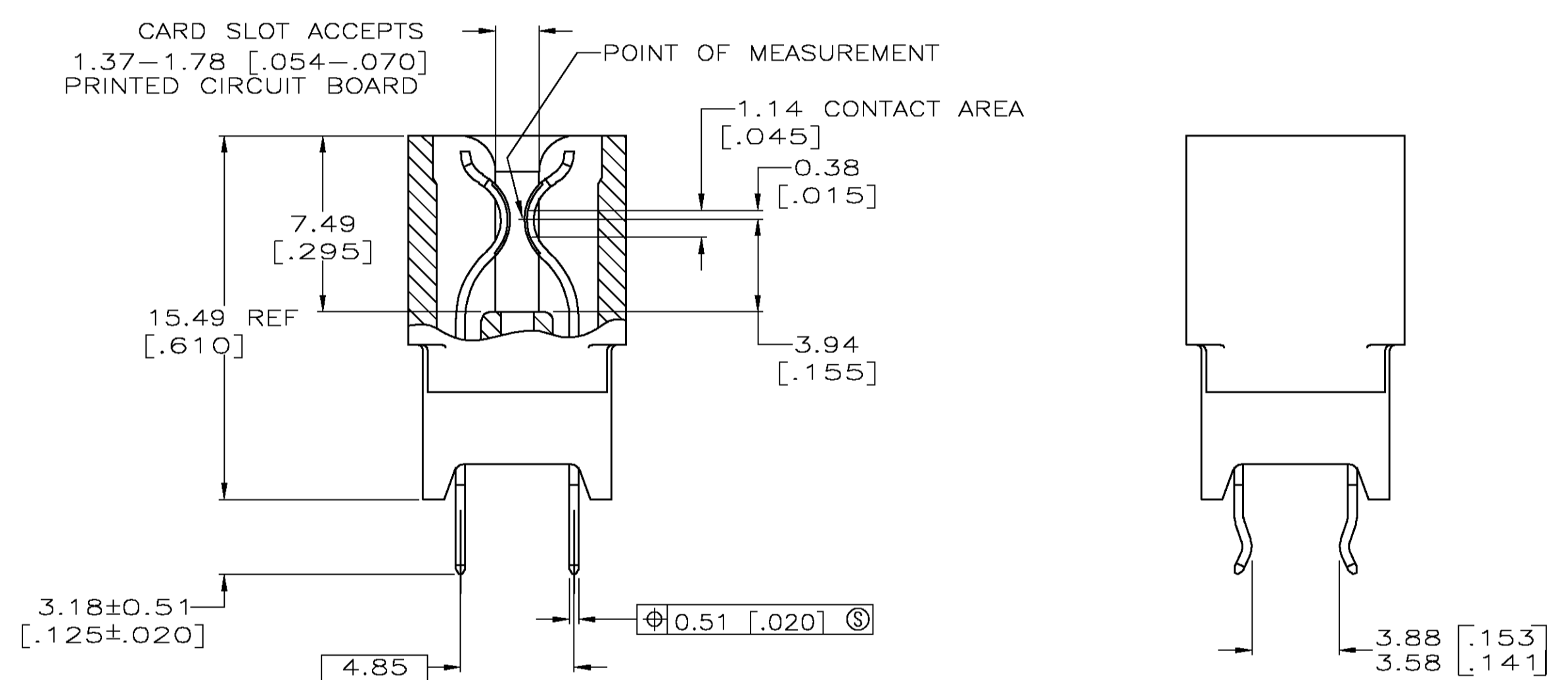
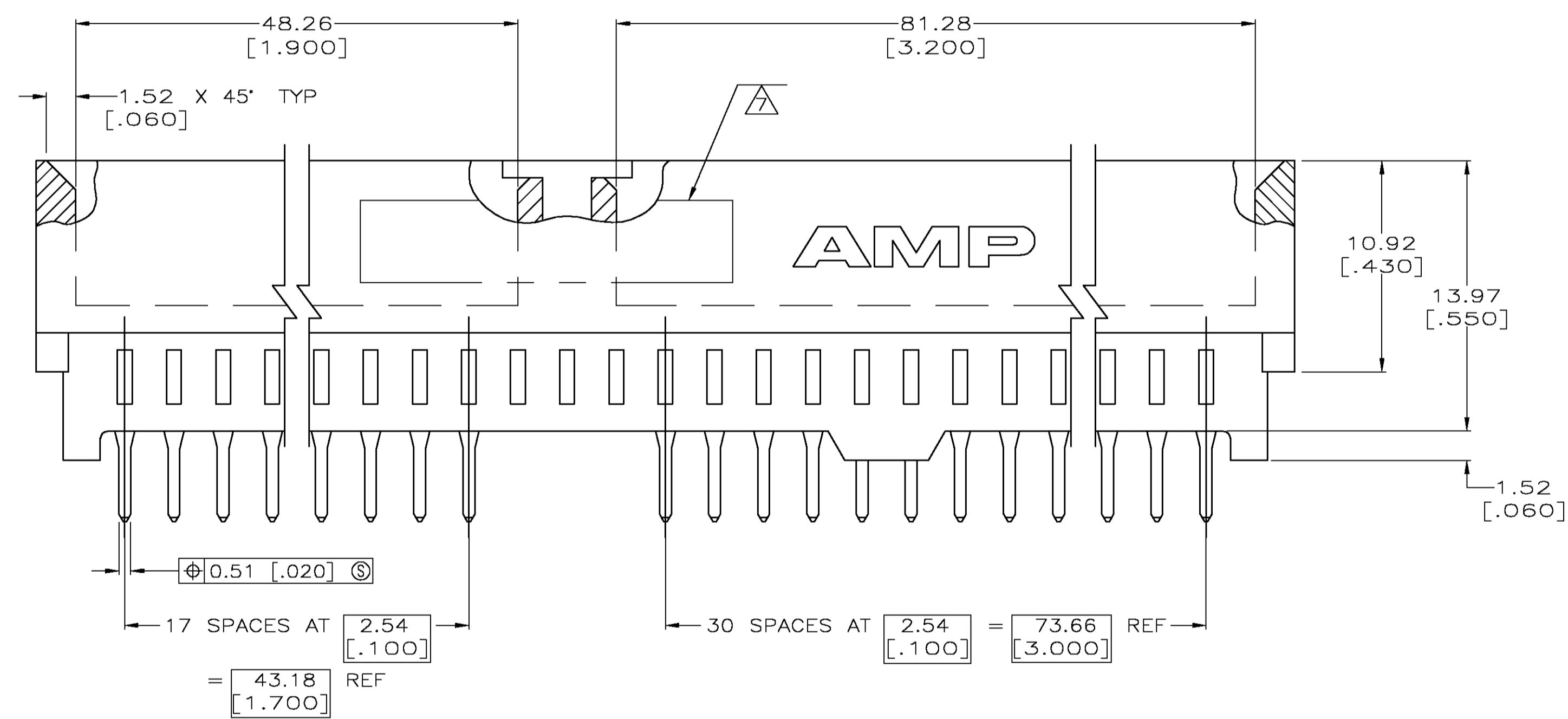
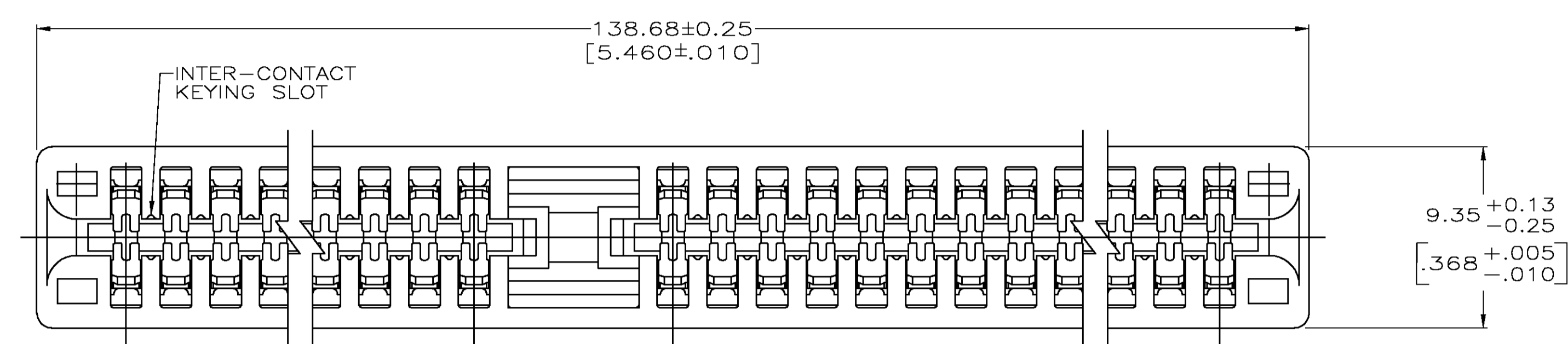
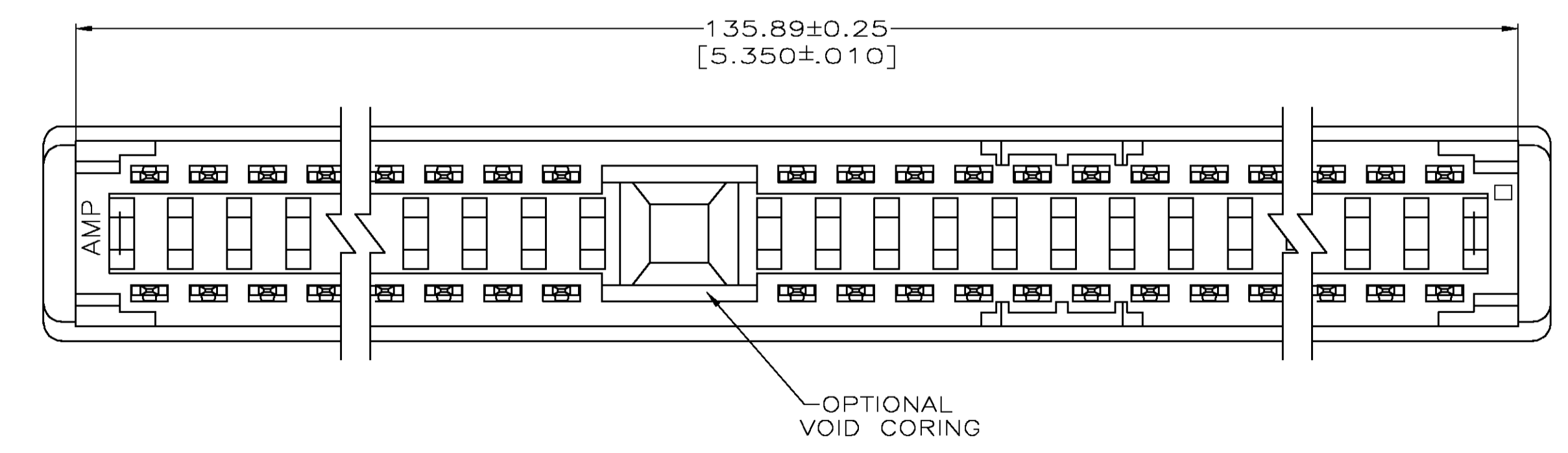


- ① HOUSING: GLASS FILLED POLYESTER; COLOR: BLACK.
- ② CONTACT: PHOSPHOR BRONZE.
- ③ NICKEL PLATE: 0.00127 [.000050] MIN - ALL OVER.
- ④ TIN-LEAD PLATE: 0.00254 [.000100] MIN-SOLDER POSTS.
- ⑤ GOLD PLATE: 0.00076 [.000030] MIN - CONTACT AREA.
- ⑥ NICKEL PLATE PER MIL-G-45204. GOLD PLATE PER QQ-N-290.
- ⑦ AMP PART NUMBER, DATE CODE AND CSA LOGO ARE MARKED IN APPROXIMATE AREA SHOWN, EITHER SIDE.
- 8. RECOMMENDED PCB FINISHED HOLE DIA: 1.02±0.08 [.040±.003].
- 9. THE RETENTIVE FEATURE OF THIS CONNECTOR IS DESIGNED FOR FULL SEATING IN .062±0.08 THICK CIRCUIT BOARDS. FOR APPLICATIONS IN BOARDS OF OTHER THICKNESSES CONTACT AMP INCORPORATED.
- ⑩ PACKAGED 20 CONNECTORS PER TUBE.
- ⑪ PACKAGED 72 CONNECTORS PER EPS TRAY.
- ⑫ GOLD PLATE: 0.00038 [.000015] MIN - CONTACT AREA.
- ⑬ PACKAGED IN SLIDE PACK.
- ⑭ PACKAGE 57 CONNECTORS IN TUBES.
- ⑮ DATUMS AND BASIC DIMENSIONS TO BE DETERMINED BY CUSTOMER.



BOARD RETENTION FEATURE



OBSOLETE	NOTE 5	NOTE 13			2-645169-4
OBSOLETE				49	1-645169-3
OBSOLETE	NOTE 5	NOTE 11		49	645169-9
OBSOLETE	NOTE 5	NOTE 11	3-6,41,42,51,52,93-96	49	645169-8
OBSOLETE	NOTE 5	NOTE 14	3-6, 41, 42, 51, 52, 93-96	49	645169-7
OBSOLETE	NOTE 5	NOTE 10		49	645169-6
OBSOLETE	NOTE 12	NOTE 11		49	645169-5
	NOTE 5	NOTE 11	5,6,31,32,41,42,93,94	49	645169-4
	NOTE 5	NOTE 11	-	49	645169-3
	NOTE 5	NOTE 11	5,6,31,32,41,42,93,94	49	645169-2
PLATING	PACKAGE	BOARD RETENTION LOCATION	NO OF POSN	PART NUMBER	

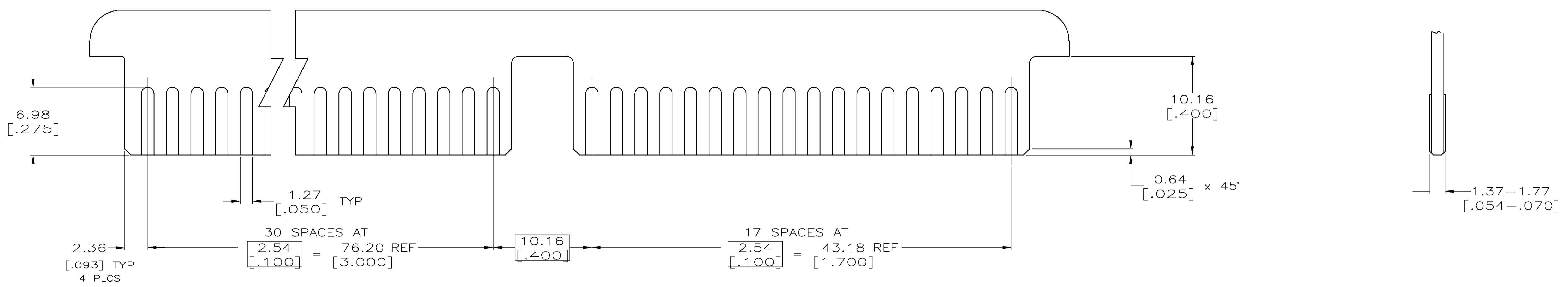
THIS DRAWING IS A CONTROLLED DOCUMENT. DIM R BROWN 7/30/97
 DIM M PAVLOVICH 7/30/97

TYCO Electronics Tyco Electronics Corporation
 Harrisburg, Pa 17105-3608

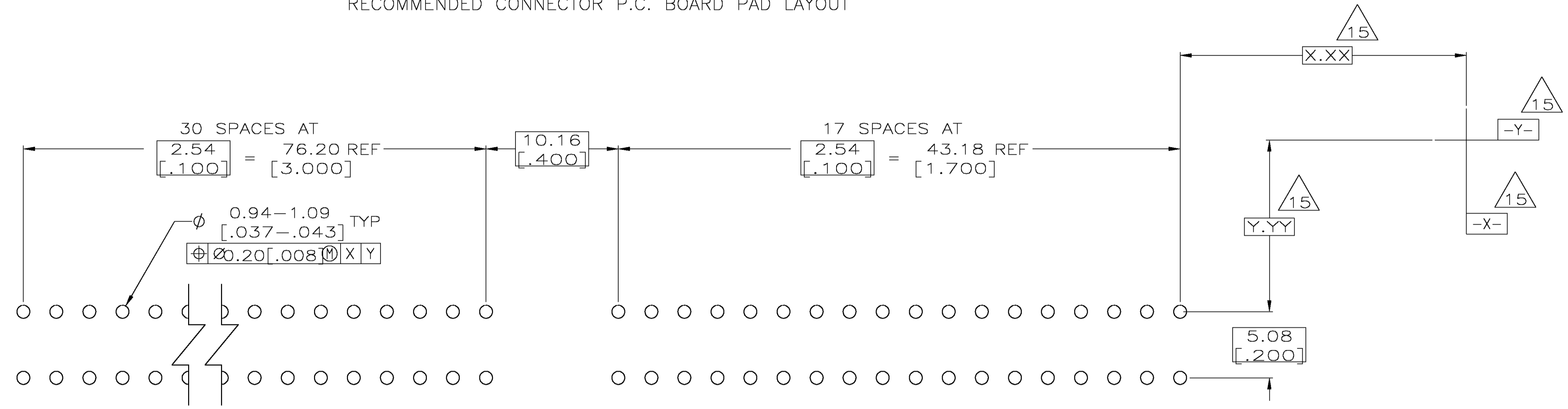
PRODUCT SPEC 108-9039
 APPLICATION SPEC

SIZE A1 CAGE CODE 00779 DRAWING NO. 645169
 WEIGHT

CUSTOMER DRAWING SCALE 5:1 SHEET 1 OF 2 REV W



RECOMMENDED CONNECTOR P.C. BOARD PAD LAYOUT



RECOMMENDED CONNECTOR P.C. BOARD HOLE PATTERN

THIS DRAWING IS A CONTROLLED DOCUMENT.		DNW R BROWN 7/30/97		Tyco Electronics Corporation Harrisburg, Pa 17105-3608	
DIMENSIONS: mm		CHK M PAVLOVICH 7/30/97		NAME	CONNECTOR ASSEMBLY, STANDARD EDGE II, 2.54 [.100]
TOLERANCES UNLESS OTHERWISE SPECIFIED:		APVD	PRODUCT SPEC	RESTRICTED TO	
0 PLC ± -			108-9039	-	
1 PLC ± -			APPLICATION SPEC	-	
2 PLC ± ± 0.13 [.005]			SIZE	A1	
3 PLC ± ± -			WEIGHT	00779 C=645169	
4 PLC ± ± -			CUSTOMER DRAWING	SCALE 5:1 SHEET 2 OF 2 REV W	
ANGLES ± ± -					
FINISH					

单击下面可查看定价，库存，交付和生命周期等信息

[>>TE Connectivity\(泰科\)](#)