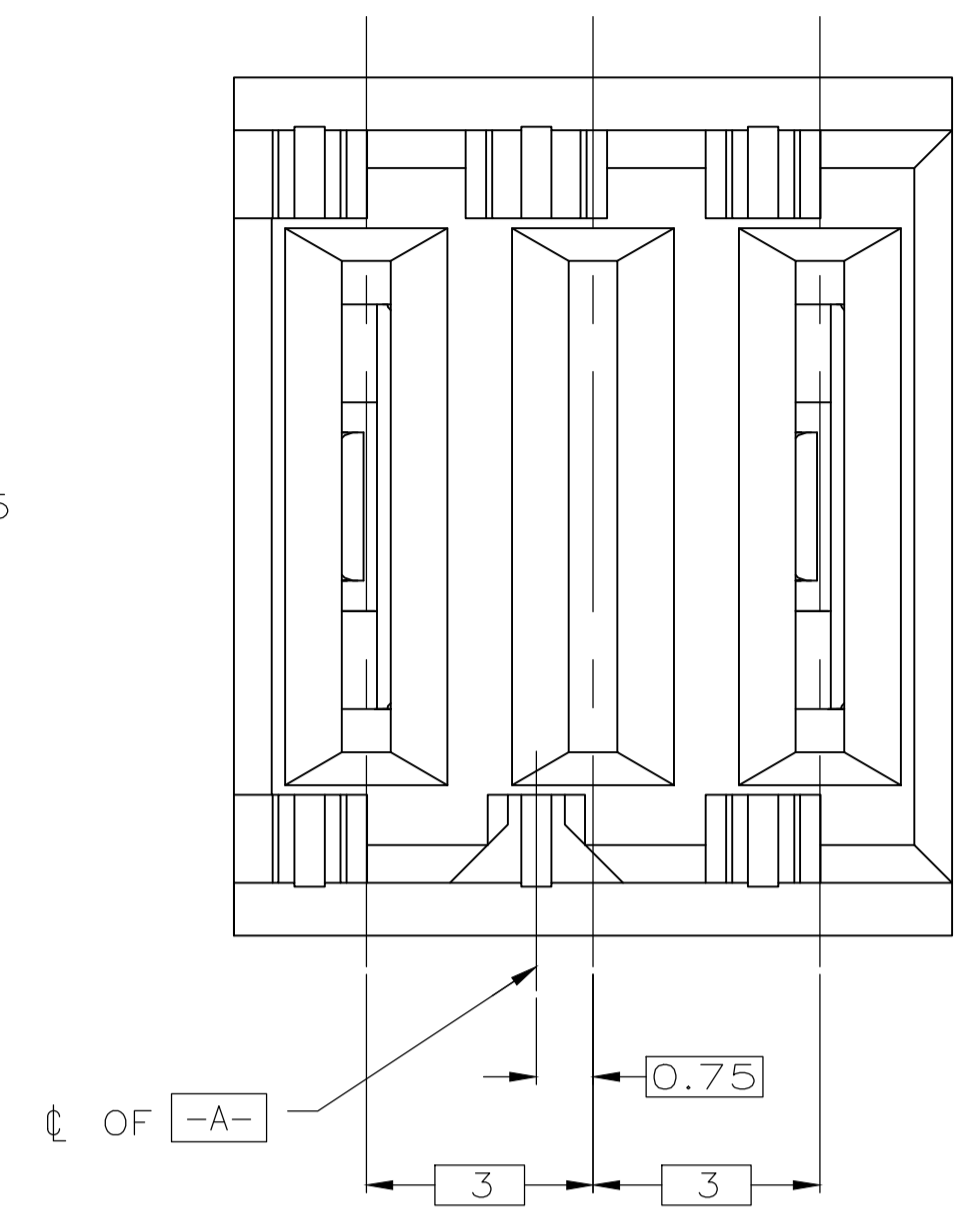
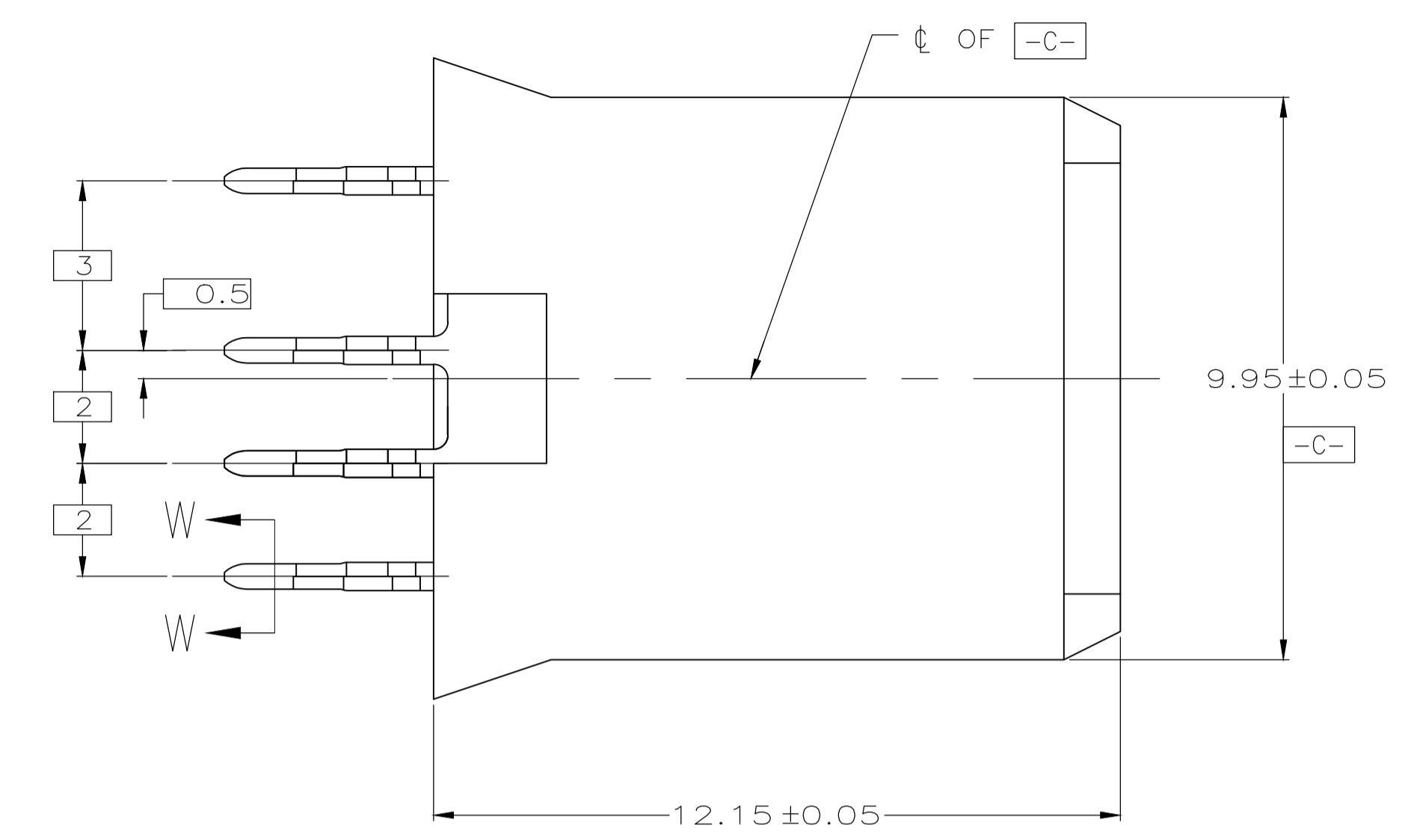
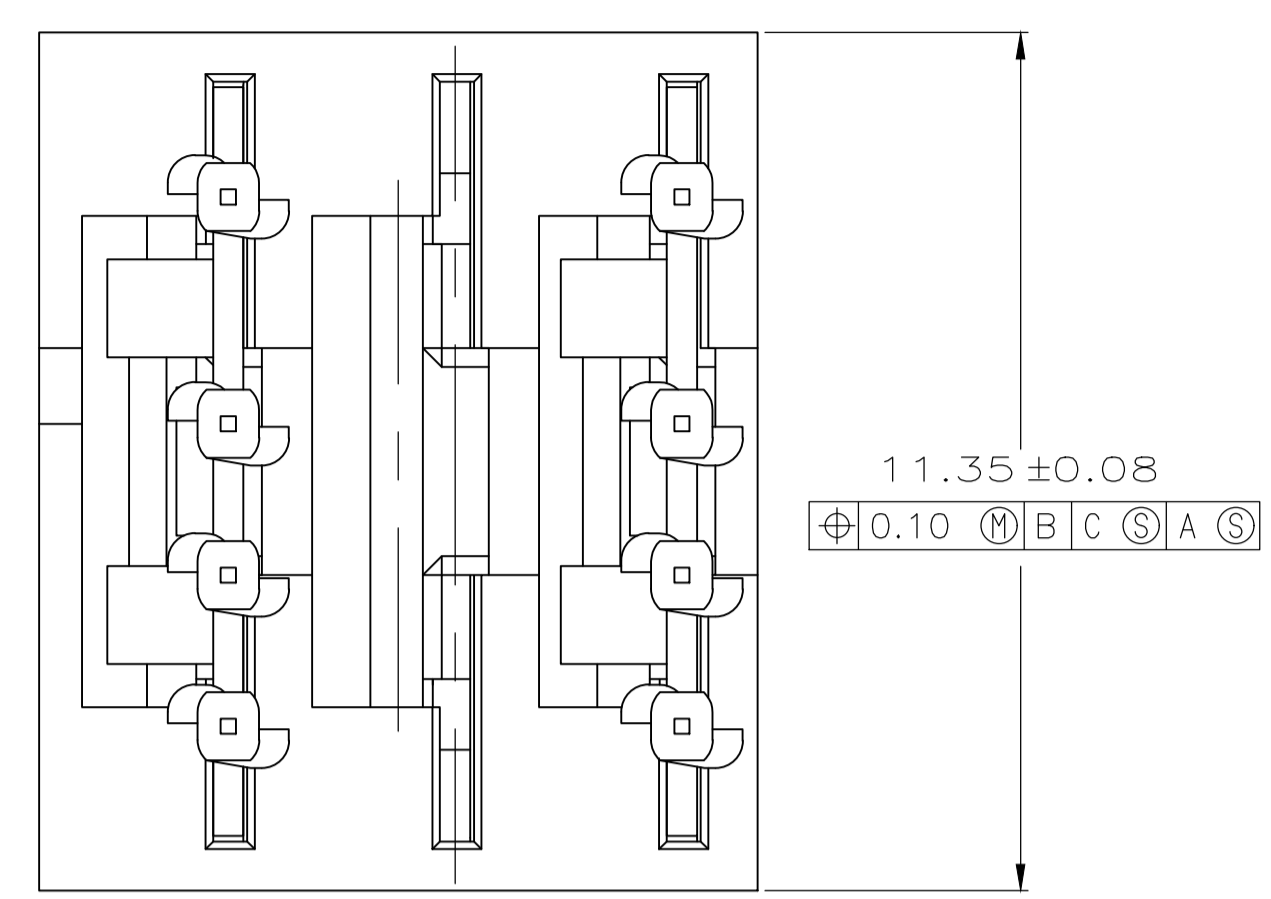
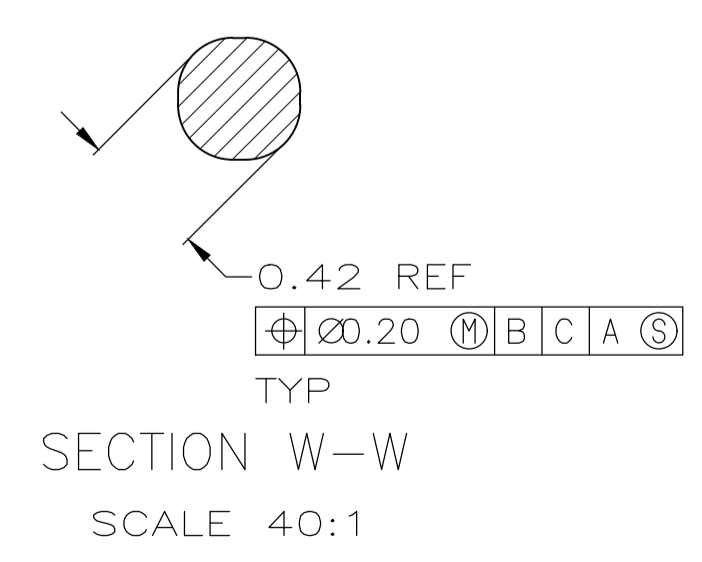
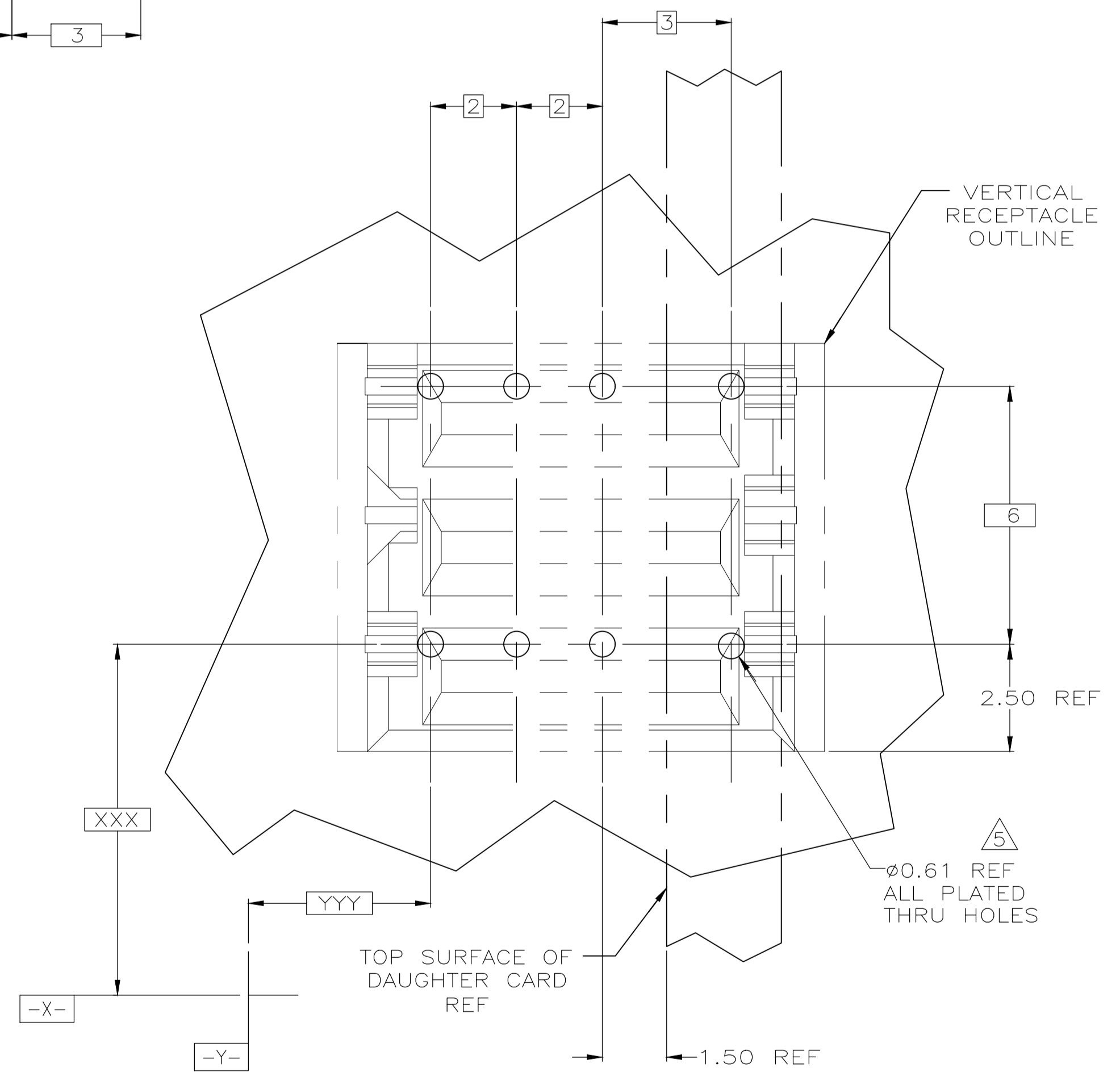
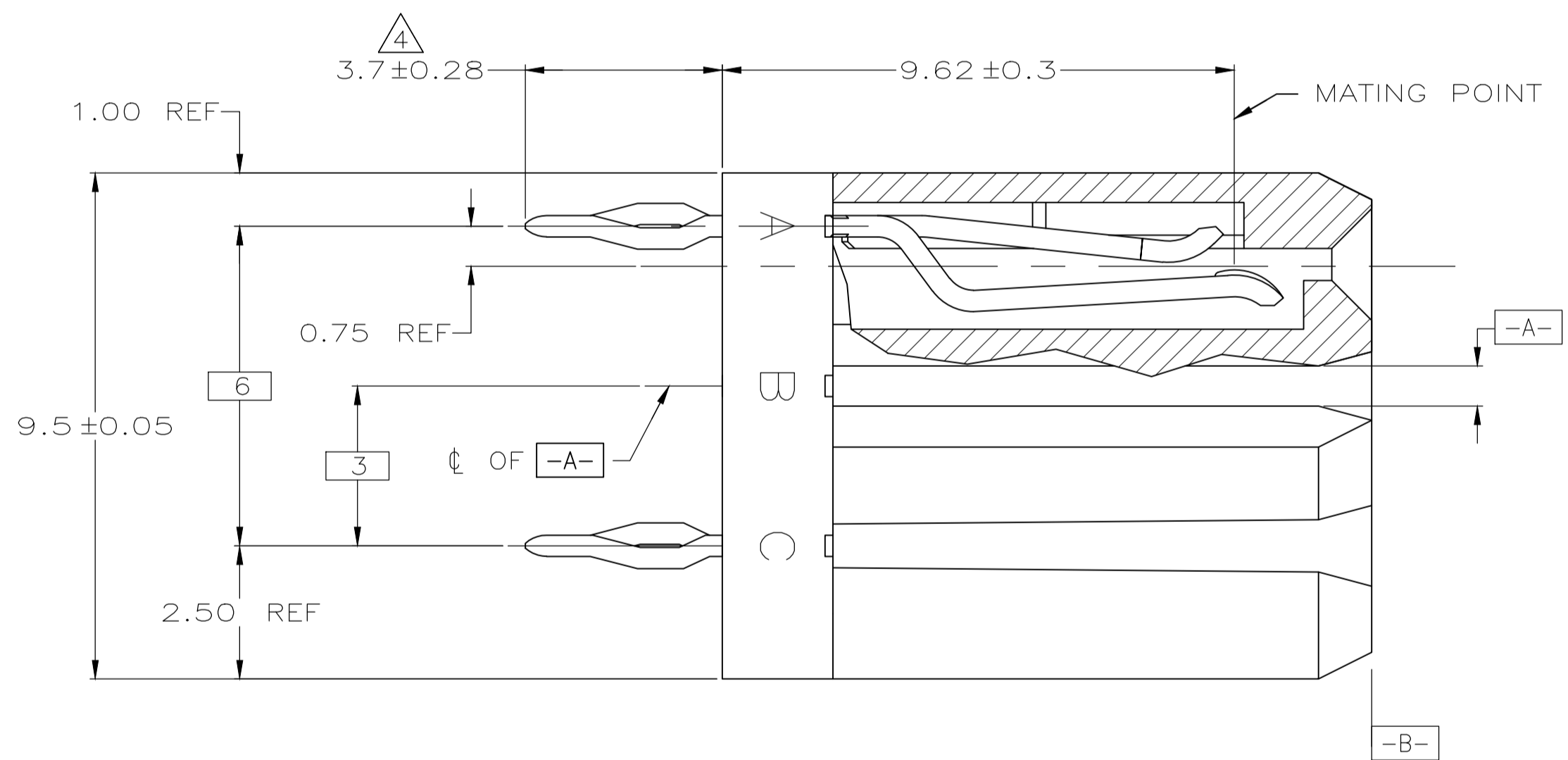


LOC		DIST		REVISIONS			
AD	00	REV	PER	DESCRIPTION	DATE	OWN	APVD
A		REV	PER	ECO-20-004668	10AUG2020	ML	SZ



- 1 MATERIAL: HOUSING: POLYESTER. COLOR: GREY. UL 94V-0. CONTACT: COPPER ALLOY.
- 2 FINISH: IN ACCORDANCE WITH PRODUCT SPECIFICATION 108-1651, GOLD PLATING OR EQUIVALENT PLATING ON PRODUCT CONTACT MATING AREA, AND MATTE TIN PLATING ON COMPLIANT PIN AREA, ALL OVER MATTE NICKEL UNDERPLATED. DETAIL PLEASE REFER TO PRODUCT SPECIFICATION 108-1651.
- 3 FINISH: CONTACT LUBRICATION WITH BELLCORE APPROVED LUBRICANT. TECHNICAL REFERENCE: TR-NWT-001217 ISSUE 1, SEPT 1992.
- 4 DIMENSION APPLIES AFTER CONNECTOR IS APPLIED TO P.C. BOARD.
- 5 REFERENCE APPLICATION SPEC 114-1103 FOR RECOMMENDED PLATED THRU HOLE DIAMETER AND PLATING THICKNESS.
- 6 CURRENT RATING 10A/CONTACT PER PRODUCT SPEC 108-1651.



RECOMMENDED PCB HOLE LAYOUT

5223984-1
PART NUMBER

THIS DRAWING IS A CONTROLLED DOCUMENT.		DIN B. CARDO 130EC04	Tyco Electronics Corporation Harrisburg, Pa 17105-3608	
DIMENSIONS: mm		CHK R. PATTERSON 130EC04	NAME	
TOLERANCES UNLESS OTHERWISE SPECIFIED:		APP'D R. PATTERSON 130EC04	PRODUCT SPEC	
0. PLC ± -		108-1651		
1. PLC ± -		APPLICATION SPEC		
2. PLC ± 0.13		114-1103		
3. PLC ± -		SIZE		
4. PLC ± -		CAGE CODE		
ANGLES ± -		DRAWING NO		
MATERIAL		WEIGHT		
FINISH		A1 00779 C=5223984		
1		CUSTOMER DRAWING		
2		SCALE 10:1		
3		SHEET 1 OF 1		
		REV A		

单击下面可查看定价，库存，交付和生命周期等信息

[>>TE Connectivity\(泰科\)](#)