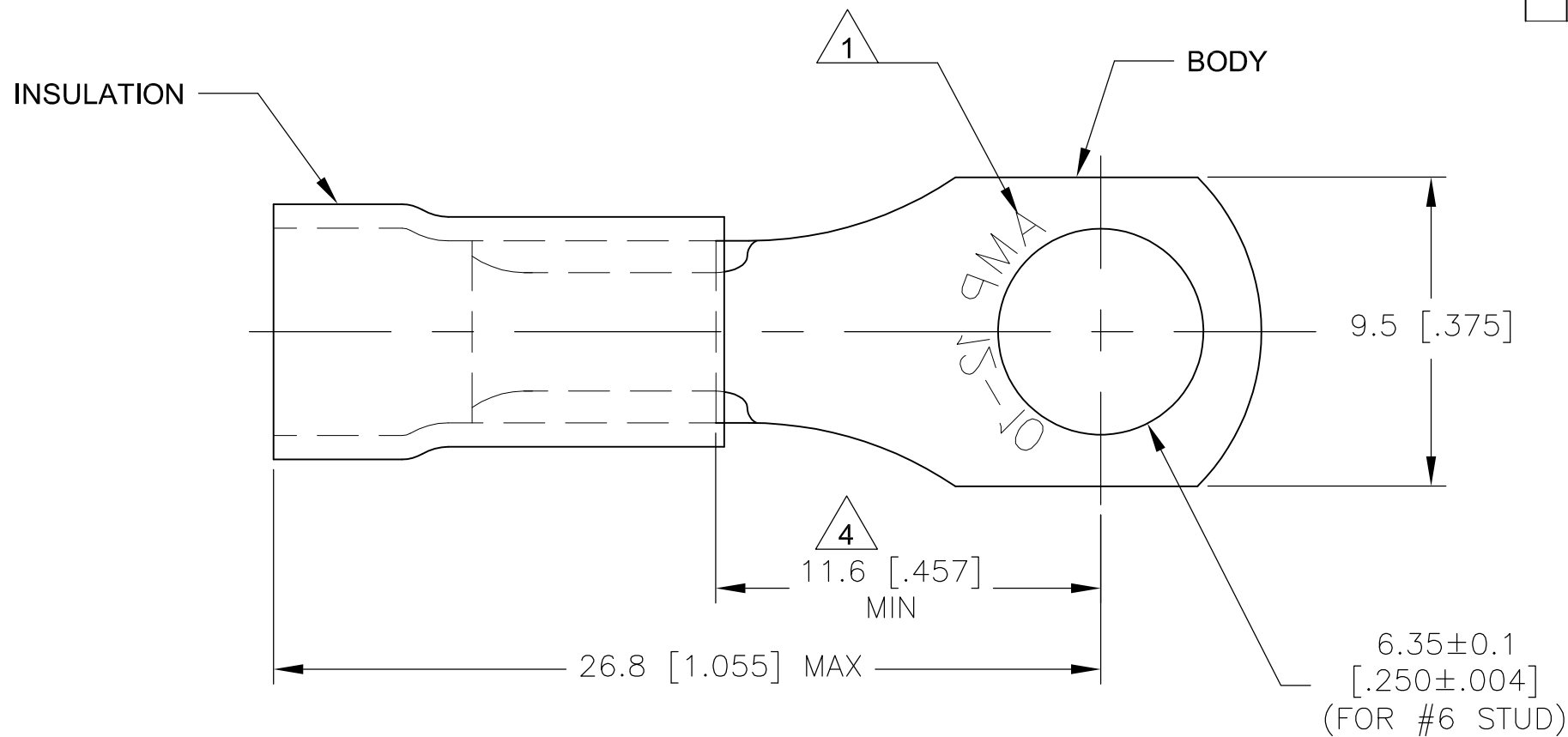
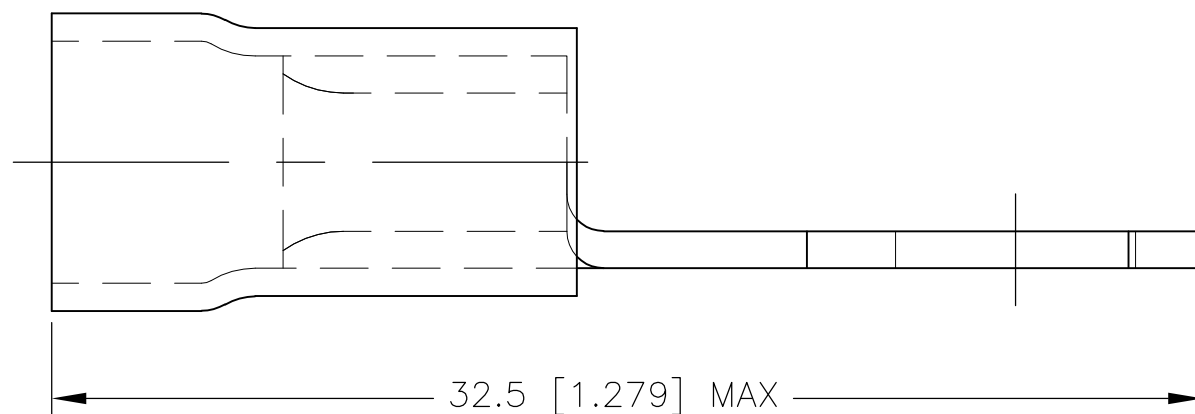


THIS DRAWING IS UNPUBLISHED. RELEASED FOR PUBLICATION  
 © COPYRIGHT BY TYCO ELECTRONICS CORPORATION. ALL INTERNATIONAL RIGHTS RESERVED.

| LOC | DIST | REVISIONS |     |                           |         |     |      |
|-----|------|-----------|-----|---------------------------|---------|-----|------|
| G   | 86   | P         | LTR | DESCRIPTION               | DATE    | DWN | APVD |
|     |      | B2        |     | REVISED PER ECR-10-004261 | 25FEB10 | JR  | TM   |



- 1 STAMP "AMP 12-10", LOCATED APPROX AS SHOWN ON BOTTOM.
- 2 BODY- COPPER PER ASTM B-152 INSULATION - VINYL
- 3 BODY - TIN PLATE PER ASTM B-545 INSULATION - COLOR-YELLOW
- 4 APPLIES FROM THE METAL EDGE OF THE WIRE BARREL TO THE CENTER OF THE STUD HOLE.
- 5 FOR INSULATION DIA 3.8-6.4 [.150-.250]



130699  
PART NUMBER

|   |  |                                    |   |                    |
|---|--|------------------------------------|---|--------------------|
| THIS DRAWING IS A CONTROLLED DOCUMENT.  |  | DWN<br>JR RUTH<br>25FEB10          | Tyco Electronics Corporation<br>Harrisburg, PA 17105-3608           |                    |
| DIMENSIONS:<br>mm [ INCHES ]  |  | CHK<br>TOM MICHIELUTTI<br>25FEB10  | NAME<br>WIRE TERMINAL, RING TONGUE,<br>PLASTI-GRIP, WIRE SIZE 12-10 |                    |
| TOLERANCES UNLESS OTHERWISE SPECIFIED:  |  | APVD<br>TOM MICHIELUTTI<br>25FEB10 | PRODUCT SPEC<br>-   |                    |
| 0 PLC ± -<br>1 PLC ± -<br>2 PLC ± 0.2 [.008]<br>3 PLC ± -<br>4 PLC ± -<br>ANGLES ± 5° |  | APPLICATION SPEC<br>-              | SIZE<br>A3  | CAGE CODE<br>00779 |
| MATERIAL<br>-   |  | FINISH<br>-                        | DRAWING NO<br>G-130699  | RESTRICTED TO<br>- |
| -   |  | 2                                  | 3   |                    |
| CUSTOMER DRAWING  |  |                                    | SCALE<br>5:1  | SHEET<br>1 OF 1    |
|   |  |                                    | REV<br>B2   |                    |

单击下面可查看定价，库存，交付和生命周期等信息

[>>TE Connectivity\(泰科\)](#)