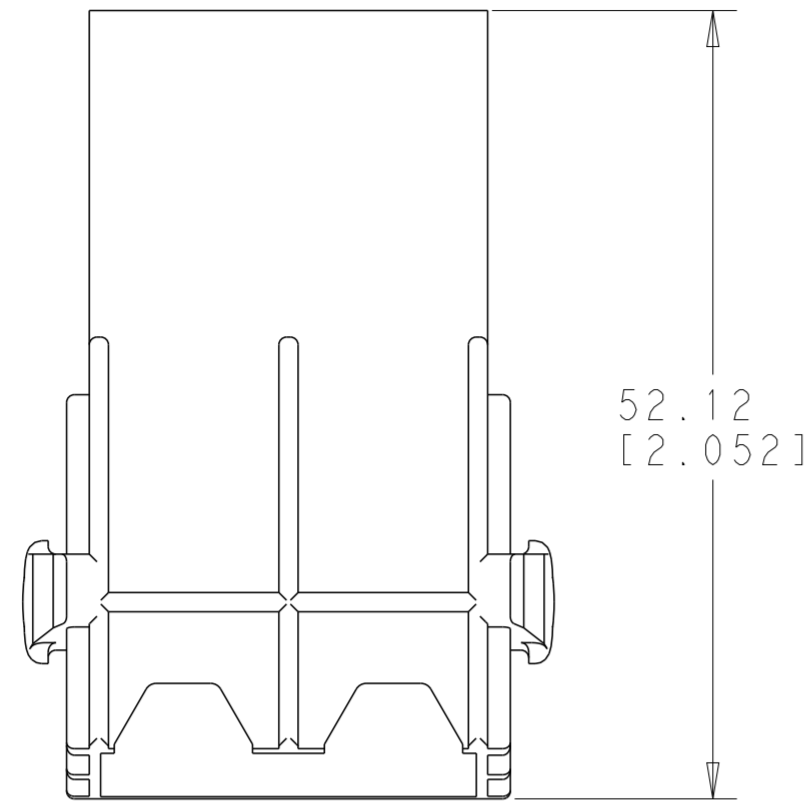


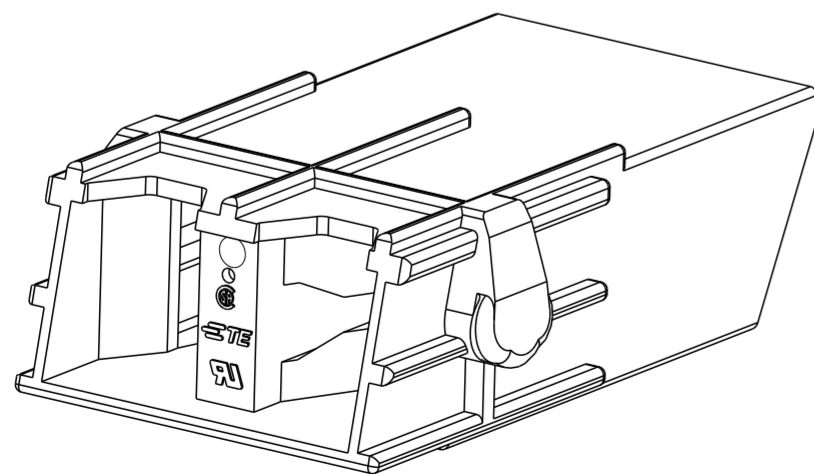
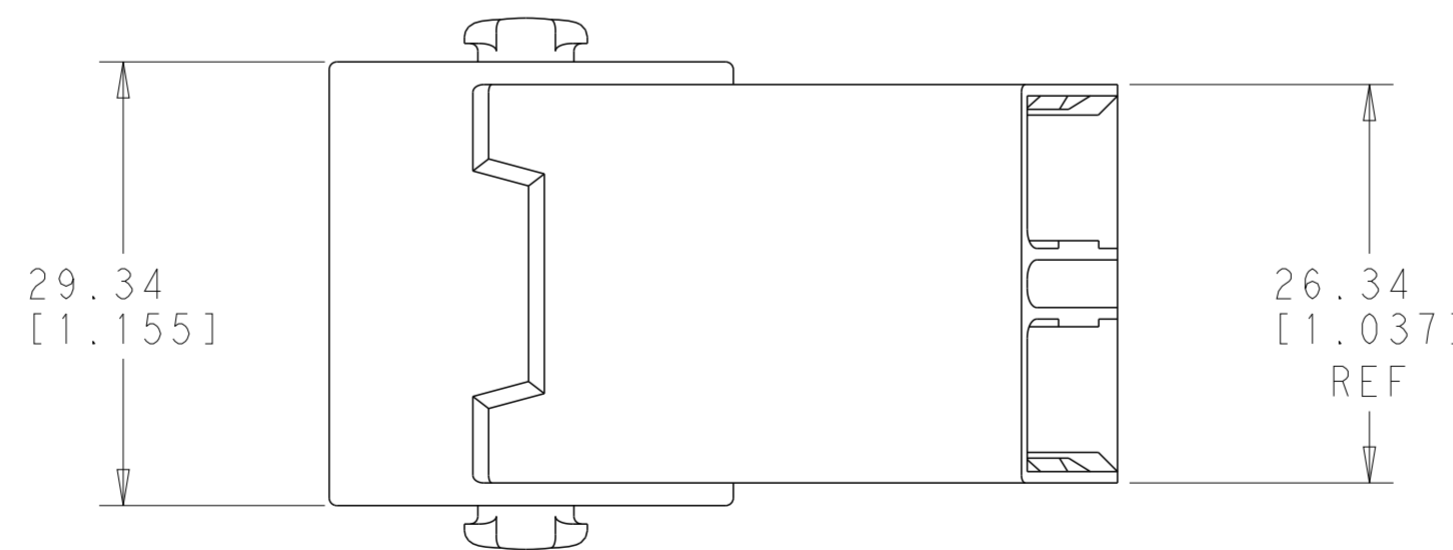
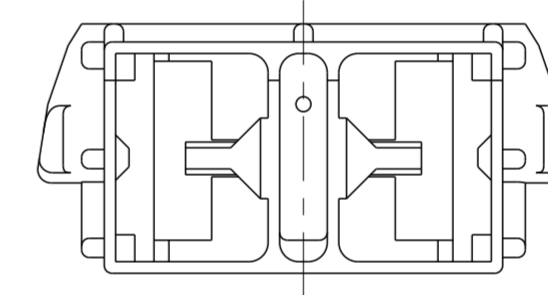
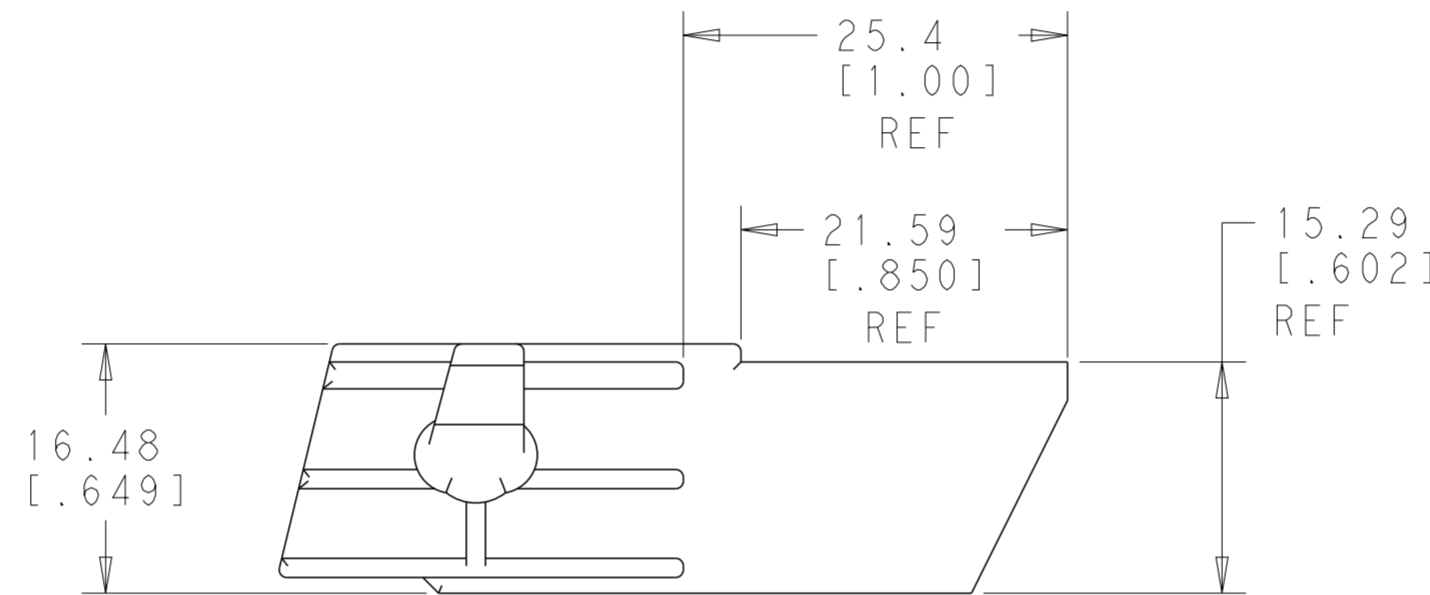
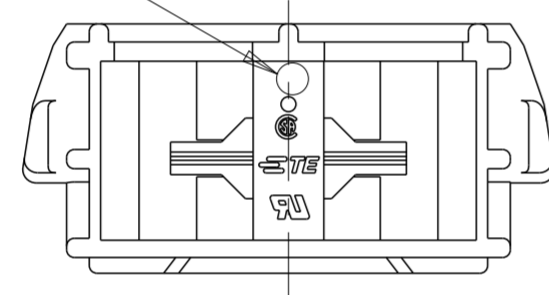
THIS DRAWING IS UNPUBLISHED. RELEASED FOR PUBLICATION
 © COPYRIGHT copyright.d8te- ALL RIGHTS RESERVED.

REVISIONS				
P	LTR	DESCRIPTION	DATE	APVD
C		REVISED PER ECR-18-010118	29JUN2018	BDA DH



- 1 ACCEPTS TERMINAL P/N 640748-X
- 2 MOUNTS IN HEAVY DUTY BURNER CLIPS, 640750-1, 640751-1, 1217841-1 AND OTHERS.
- 3 MATERIAL - THERMOPLASTIC, 240°C
COLOR - BLACK

MOLD CAVITY ID



1969726-1
PART NO.

THIS DRAWING IS A CONTROLLED DOCUMENT.		DWN B WAYNE 20-Aug-15	TE Connectivity	
DIMENSIONS: mm [INCHES]		CHK DAVE HUMPHREY 29 JUL 15		
TOLERANCES UNLESS OTHERWISE SPECIFIED:		APVD DAVE HUMPHREY 29 JUL 15	NAME HOUSING, 2 CIRCUIT, HEAVY DUTY BURNER LCP MATERIAL	
0 PLC ± 1 PLC ± 2 PLC ±0.38 [.015] 3 PLC ± 4 PLC ± ANGLES ± FINISH		PRODUCT SPEC -	SIZE A2	CAGE CODE -
MATERIAL 3		APPLICATION SPEC -	DRAWING NO C-1969726	RESTRICTED TO -
		WEIGHT -	SCALE 2:1	SHEET 1 OF 1
		CUSTOMER DRAWING	REV C	

单击下面可查看定价，库存，交付和生命周期等信息

[>>TE Connectivity\(泰科\)](#)