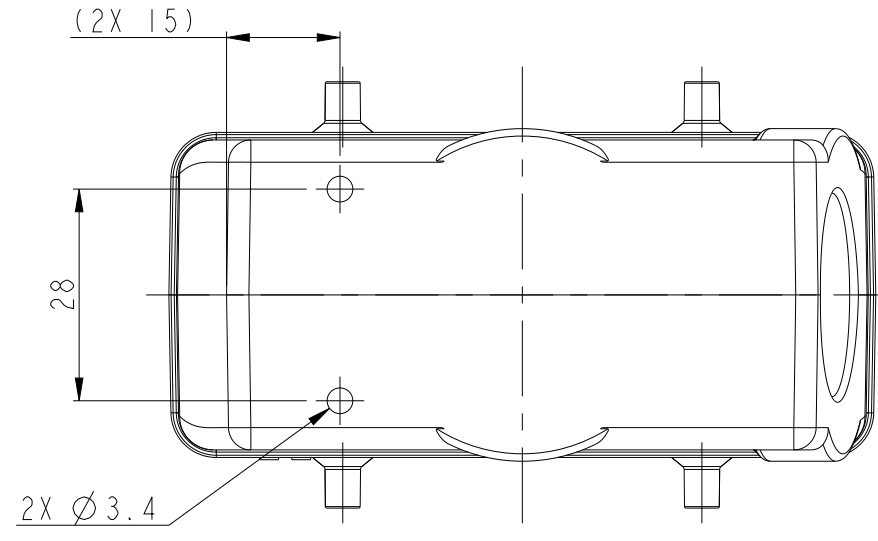
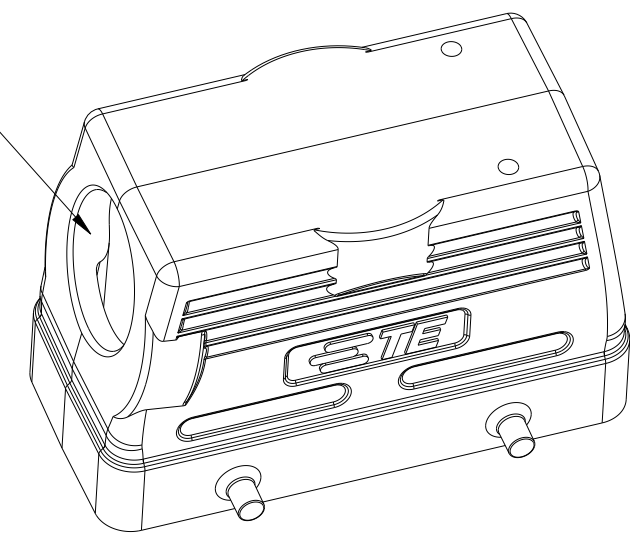


THIS DRAWING IS UNPUBLISHED. RELEASED FOR PUBLICATION
 © COPYRIGHT copyright.d8te- ALL RIGHTS RESERVED.

REVISIONS					
P	LTR	DESCRIPTION	DATE	DWN	APVD
A		INITIAL	13JUL2017	CH	CW
B		ECR-20-008190	31JUL2020	WOR	CW
BI		ECR-21-105138	23JUN2021	WOR	CW



PG/M THREAD 1
PG/M 螺纹孔1



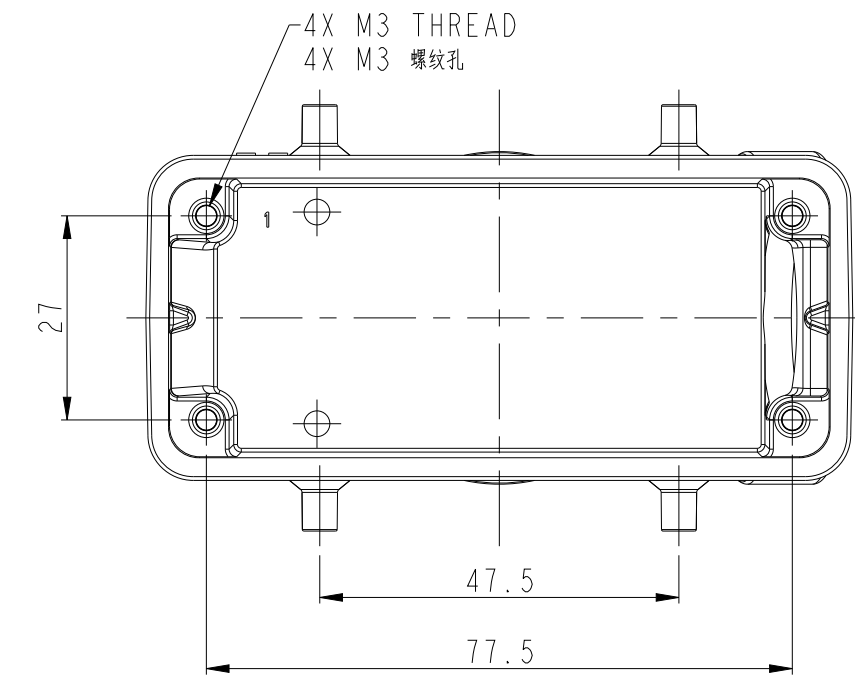
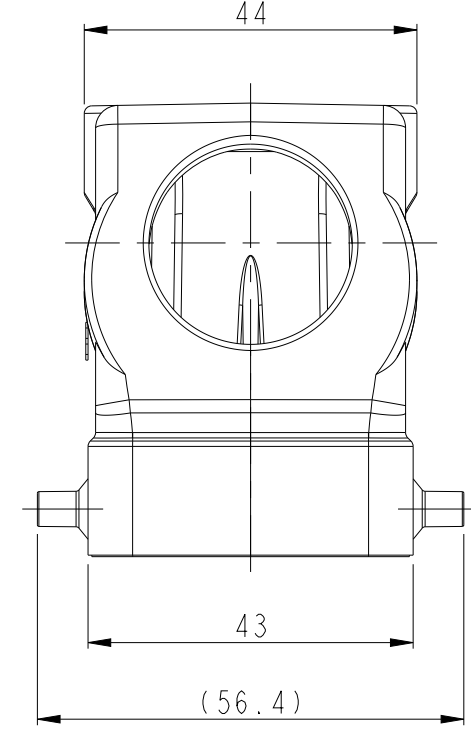
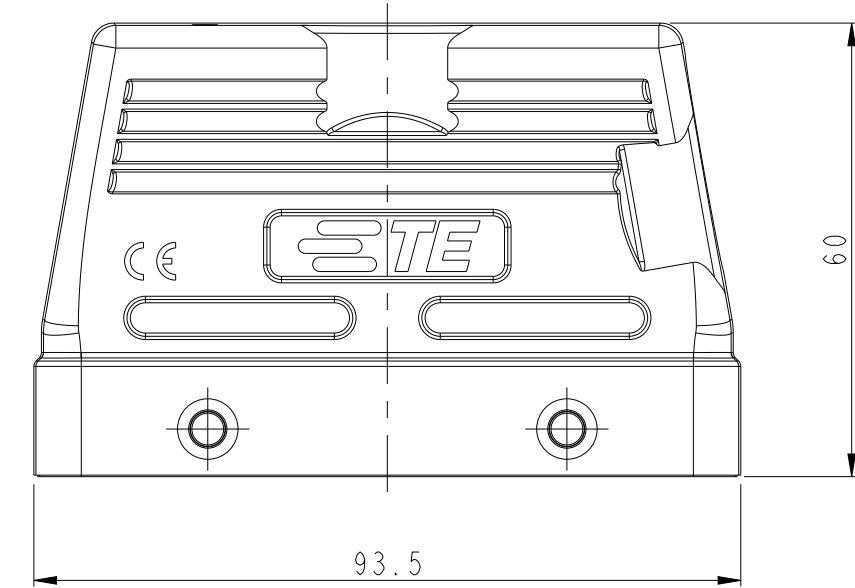
SCALE 4:5

NOTES:

- 1. TECHNICAL CHARACTERISTICS:
 HOOD MATERIAL: DIE CAST ALUMINIUM ALLOY
 SURFACE: POWDER COATED, COATED
 DEGREE OF PROTECTION: IP65 (MATED)

注释:

- 1. 技术参数:
 上壳材料: 铝合金
 表面处理: 灰色粉末喷涂
 防护等级: IP65(配合)



T1210160121-200	H16B-TS-PG21	H16B HOOD, SIDE ENTRY PG21, 4 EAR, DRILLING 2 HOLES WITH DIA. Ø3.4 ON THE TOP, POWDER COATED, GREY H16B上壳,侧出PG21,4耳,顶部钻2个Ø3.4孔,灰色粉末喷涂	PG21
ASSEMBLY PART NUMBER 成品料号	ASSEMBLY PART DESCRIPTION 成品描述		PG/M THREAD 1 PG/M 螺纹孔1

THIS DRAWING IS A CONTROLLED DOCUMENT.		DWN 13JUL2017 CHARLIE HU	TE Connectivity	
		CHK 13JUL2017 GINO YAO		
		APVD 13JUL2017 CHRIS WANG	NAME H16B-TS-PG21	
DIMENSIONS: mm		PRODUCT SPEC 108-137013	SIZE A2	
TOLERANCES UNLESS OTHERWISE SPECIFIED:		APPLICATION SPEC 114-137013	CAGE CODE -	
0 PLC ±-		WEIGHT -	DRAWING NO C-T1210160121200	
1 PLC ±-		RESTRICTED TO		
2 PLC ±-		SCALE 1:1		
3 PLC ±-		SHEET OF		
4 PLC ±-		REV BI		
ANGLES ±-		CUSTOMER DRAWING		
FINISH -				

单击下面可查看定价，库存，交付和生命周期等信息

[>>TE Connectivity\(泰科\)](#)