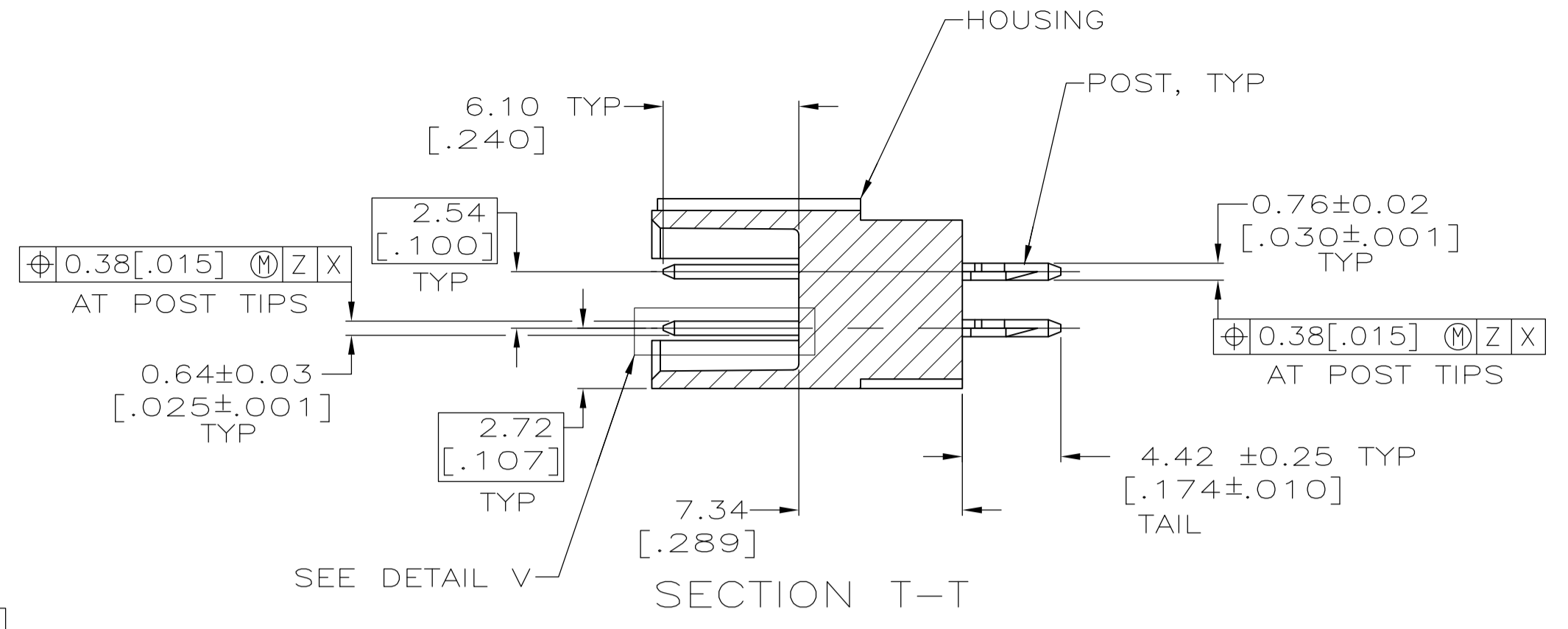
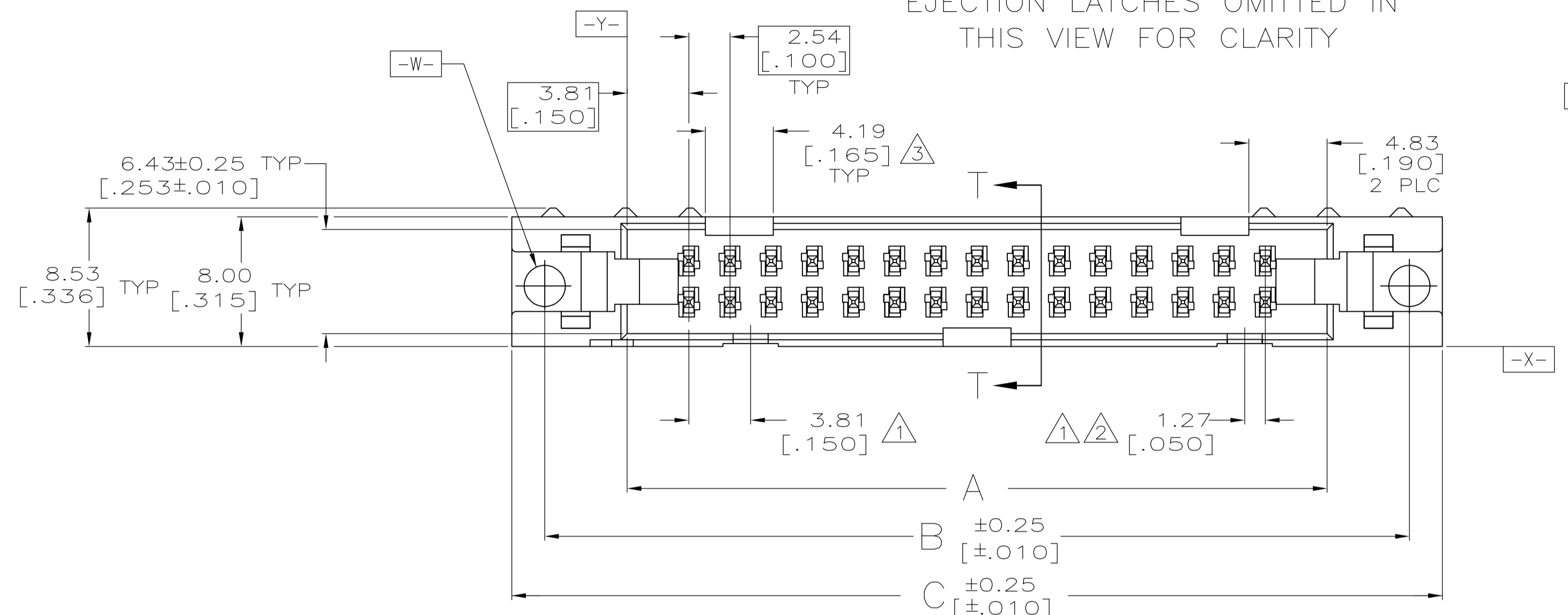
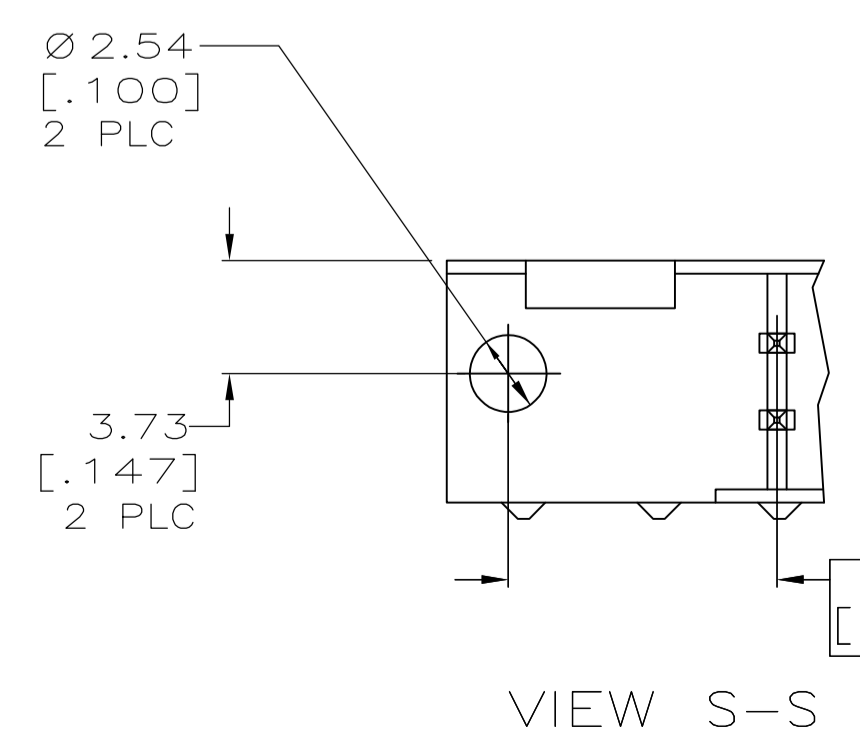
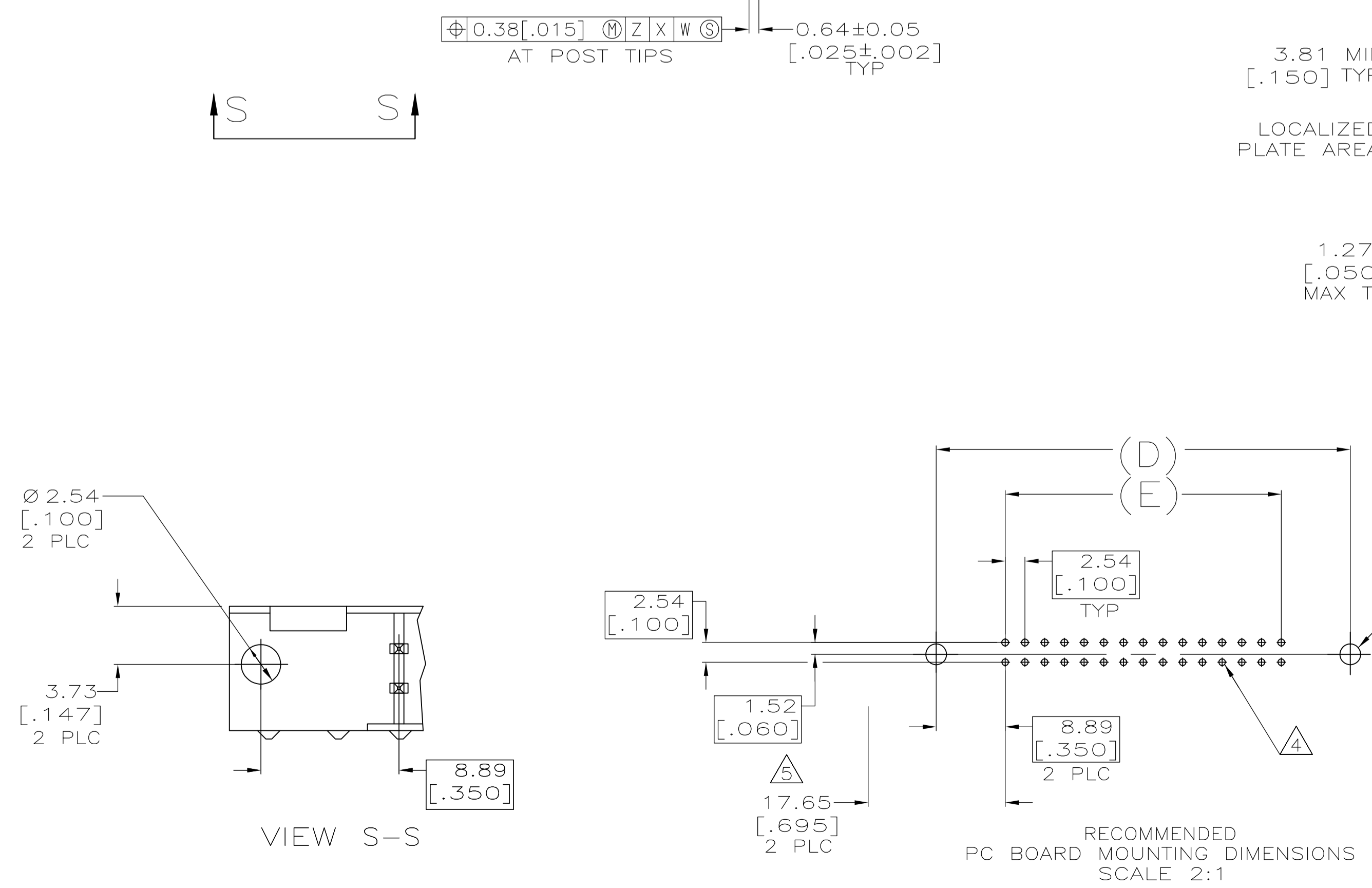
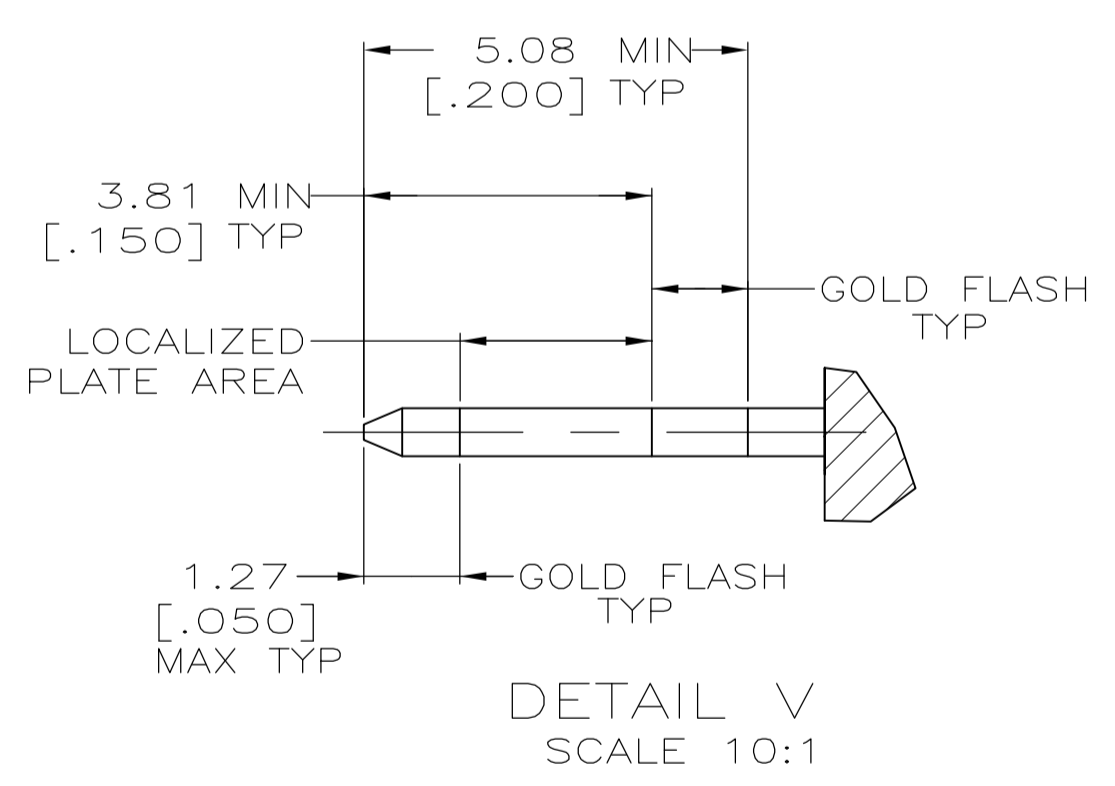
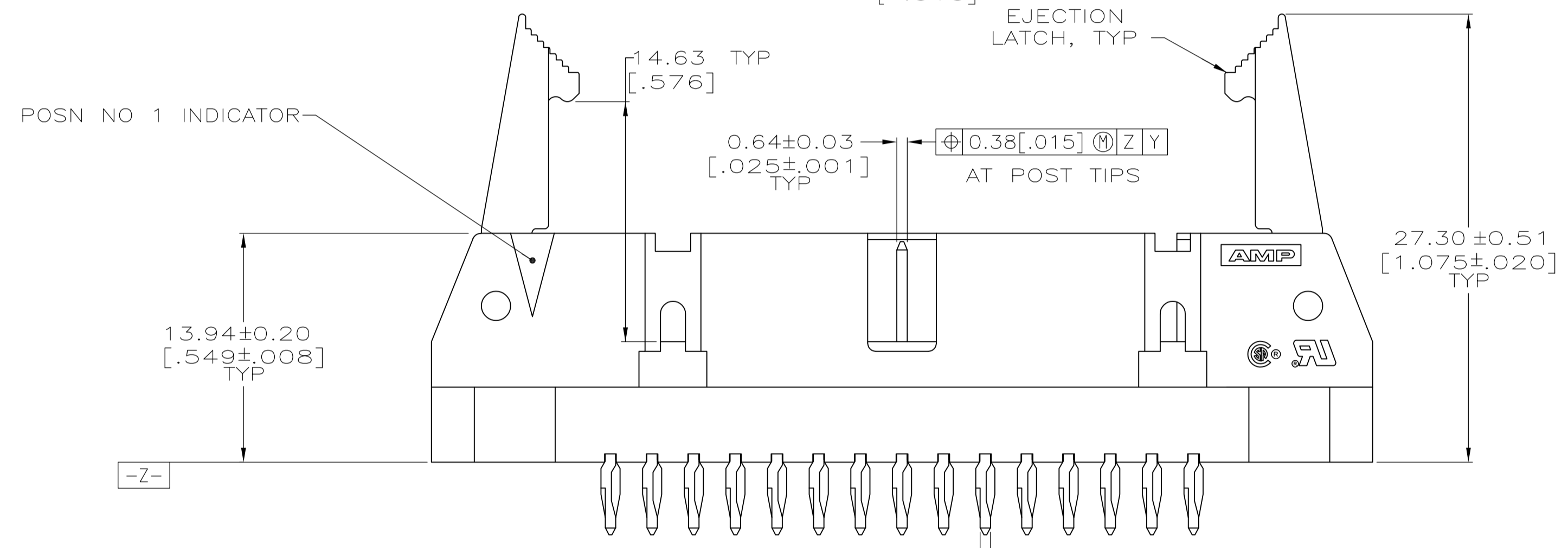


EJECTION LATCHES OMITTED IN THIS VIEW FOR CLARITY



- △ COORDINATE DIMENSION APPLIES FROM BASIC LOCATION.
- △ 10 POSITION SIZE CONTAINS ONLY ONE SLOT FOR SNAP-IN POLARIZER (MILITARY POLARIZATION), LOCATED AS SHOWN.
- △ 10 POSITION SIZE CONTAINS ONLY ONE SLOT FOR DUAL POLARIZATION, LOCATED AS SHOWN.
- △ REFER TO APPLICATION SPECIFICATION 114-40020 FOR HOLE SIZE AND FINISH RECOMMENDATIONS.
- △ DISTANCE REQUIRED BY EJECTION LATCHES IN THE OPEN POSITION.
- △ MATERIAL HOUSING & LATCHES: GLASS FILLED NYLON OR POLYESTER, 94V-0 RATED, COLOR (SEE TABLE).
POSTS: PHOSPHOR BRONZE
- △ FINISH POSTS:
POSTS: GOLD FLASH OVER PALLADIUM-NICKEL PLATE, 0.76µm[.000030] MIN TOTAL ON THE LOCALIZED PLATE AREA, 2.54µm[.000100] MIN TIN PLATE ON THE TAIL, 1.27µm[.000050] MIN NICKEL UNDERPLATE ON THE ENTIRE POST.
-OR-
0.76µm[.000030] MIN GOLD PLATE ON THE LOCALIZED PLATE AREA, 2.54µm[.000100] MIN TIN PLATE ON THE TAIL, 1.27µm[.000050] MIN NICKEL UNDERPLATE ON THE ENTIRE POST.
- △ SEATING TOOL REFERENCED IN APPLICATION SPECIFICATION CANNOT BE USED WITH HEADER ASSEMBLY WITH LATCHES.



OBsolete	Color	60.96	78.74	82.80	78.74	68.58	50	3-5746443-0
	BLUE	[2.400]	[3.100]	[3.260]	[3.100]	[2.700]		
	BLUE	48.26	66.04	70.10	66.04	55.88	40	2-5746443-9
	BLUE	[1.900]	[2.600]	[2.760]	[2.600]	[2.200]		
	BLUE	30.48	48.26	52.32	48.26	38.10	26	2-5746443-6
	BLUE	[1.200]	[1.900]	[2.060]	[1.900]	[1.500]		
	BLUE	22.86	40.64	44.70	40.64	30.48	20	2-5746443-4
	BLUE	[.900]	[1.600]	[1.760]	[1.600]	[1.200]		
OBsolete	BLUE	15.24	33.02	37.08	33.02	22.86	14	2-5746443-2
	BLUE	[.600]	[1.300]	[1.460]	[1.300]	[.900]		
	BLUE	10.16	27.94	32.00	27.94	17.78	10	2-5746443-1
	BLUE	[.400]	[1.100]	[1.260]	[1.100]	[.700]		
	BLACK	73.66	91.44	95.50	91.44	81.28	60	1-5746443-1
	BLACK	[2.900]	[3.600]	[3.760]	[3.600]	[3.200]		
	BLACK	60.96	78.74	82.80	78.74	68.58	50	1-5746443-0
	BLACK	[2.400]	[3.100]	[3.260]	[3.100]	[2.700]		
	BLACK	48.26	66.04	70.10	66.04	55.88	40	5746443-9
	BLACK	[1.900]	[2.600]	[2.760]	[2.600]	[2.200]		
	BLACK	40.64	58.42	62.48	58.42	48.26	34	5746443-8
	BLACK	[1.600]	[2.300]	[2.460]	[2.300]	[1.900]		
	BLACK	30.48	48.26	52.32	48.26	38.10	26	5746443-6
	BLACK	[1.200]	[1.900]	[2.060]	[1.900]	[1.500]		
OBsolete	BLACK	22.86	40.64	44.70	40.64	30.48	20	5746443-4
	BLACK	[.900]	[1.600]	[1.760]	[1.600]	[1.200]		
	BLACK	17.78	35.56	39.62	35.56	25.40	16	5746443-3
	BLACK	[.700]	[1.400]	[1.560]	[1.400]	[1.000]		
	BLACK	10.16	27.94	32.00	27.94	17.78	10	5746443-1
	BLACK	[.400]	[1.100]	[1.260]	[1.100]	[.700]		
	HOUSING AND LATCH COLOR	E	D	C	B	A	NO OF POSN	PART NUMBER

THIS DRAWING IS A CONTROLLED DOCUMENT.

DIMENSIONS: mm [INCHES]	TOLERANCES UNLESS OTHERWISE SPECIFIED:	APPROVED: S. BOLASH	DATE: 01-06-05	DESIGNED: M. WALMSLEY	DATE: 01-06-05	NAME: M. WALMSLEY	TYCO ELECTRONICS	TYCO ELECTRONICS CORPORATION	HARRISBURG, PA 17105-3608		
0 PLC ± -	1 PLC ± -	2 PLC ± -	3 PLC ± 0.13[.005]	4 PLC ± -	ANGLES ± -	PRODUCT SPEC: 108-40019	APPLICATION SPEC: 114-40020	SIZE: A1	CAGE CODE: 00779	DRAWING NO: 5746443	RESTRICTED TO: -
MATERIAL: △6	FINISH: △	WEIGHT: -	CUSTOMER DRAWING	SCALE: 4:1	SHEET: 1 OF 1	REV: F					

单击下面可查看定价，库存，交付和生命周期等信息

[>>TE Connectivity\(泰科\)](#)