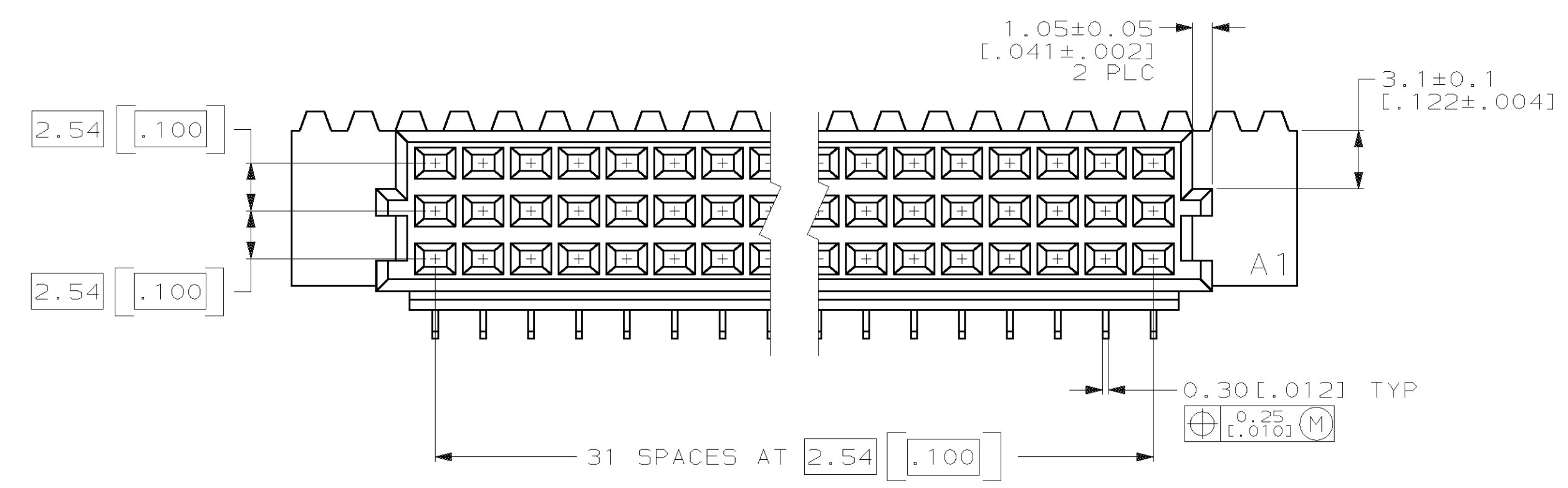
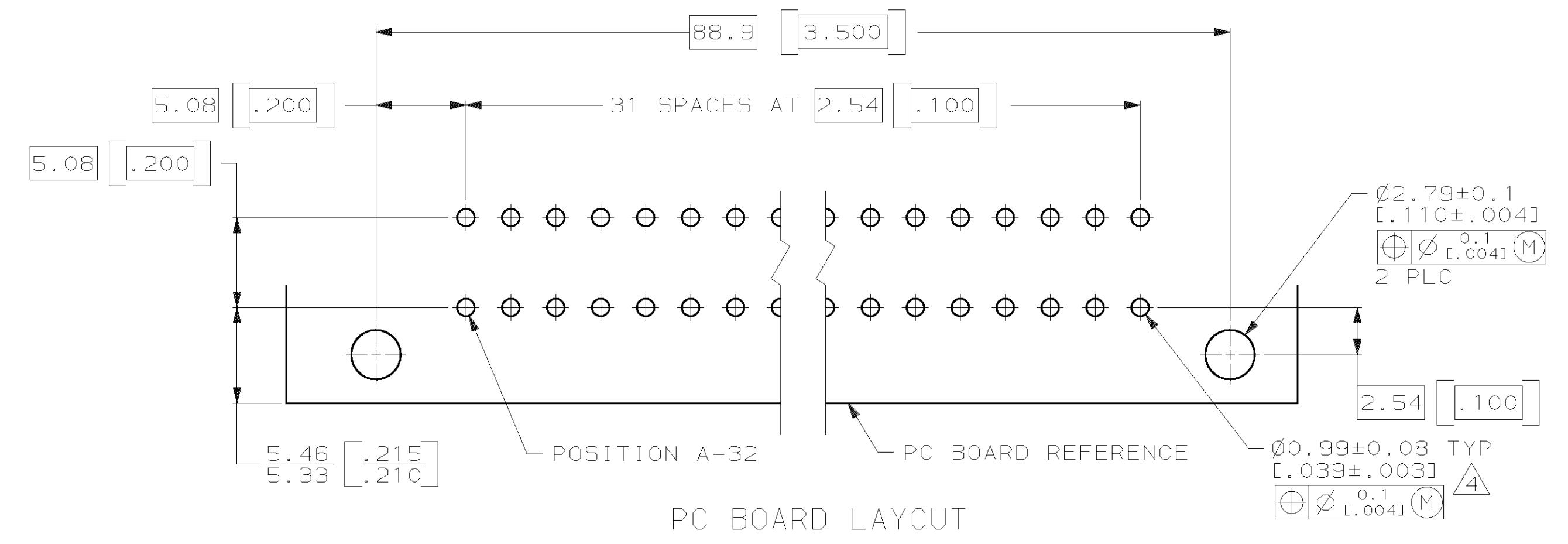
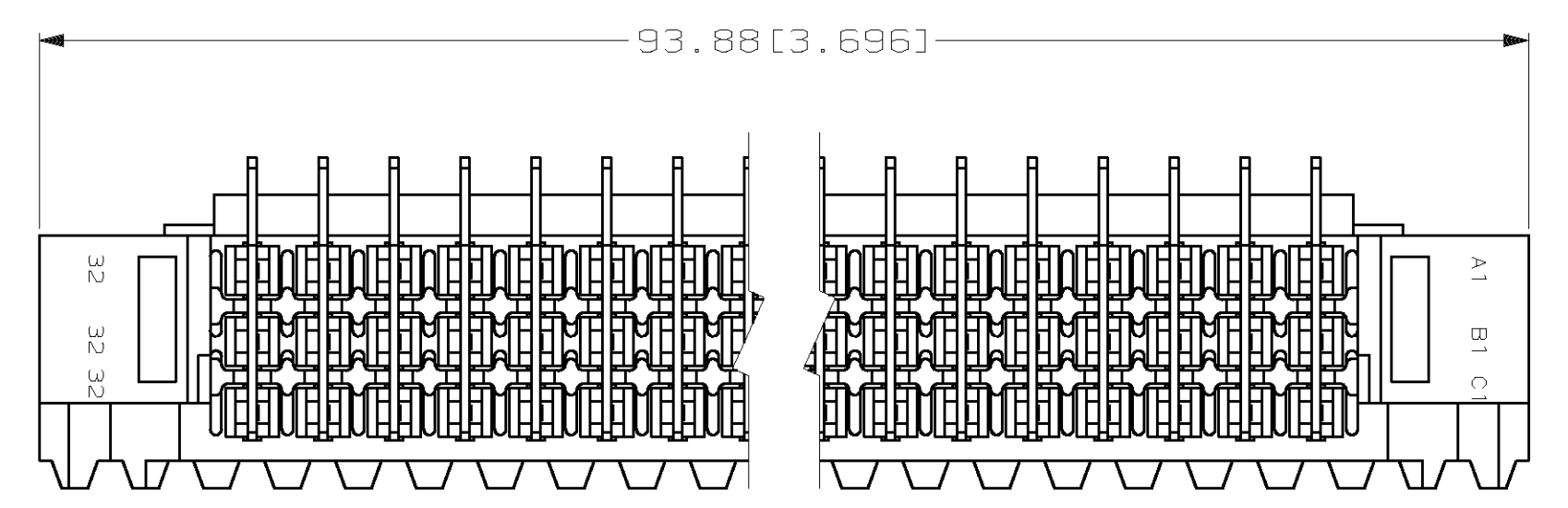
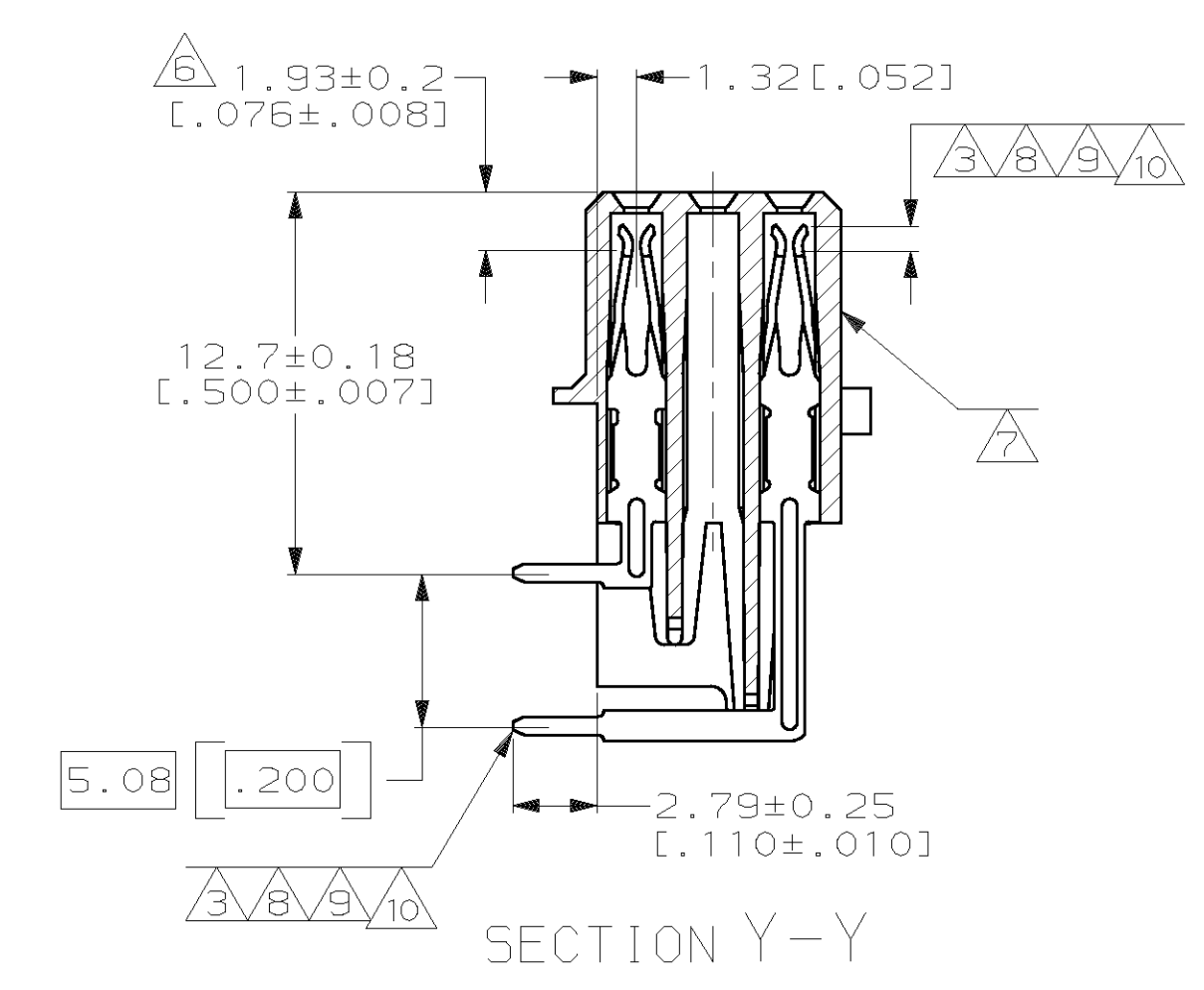
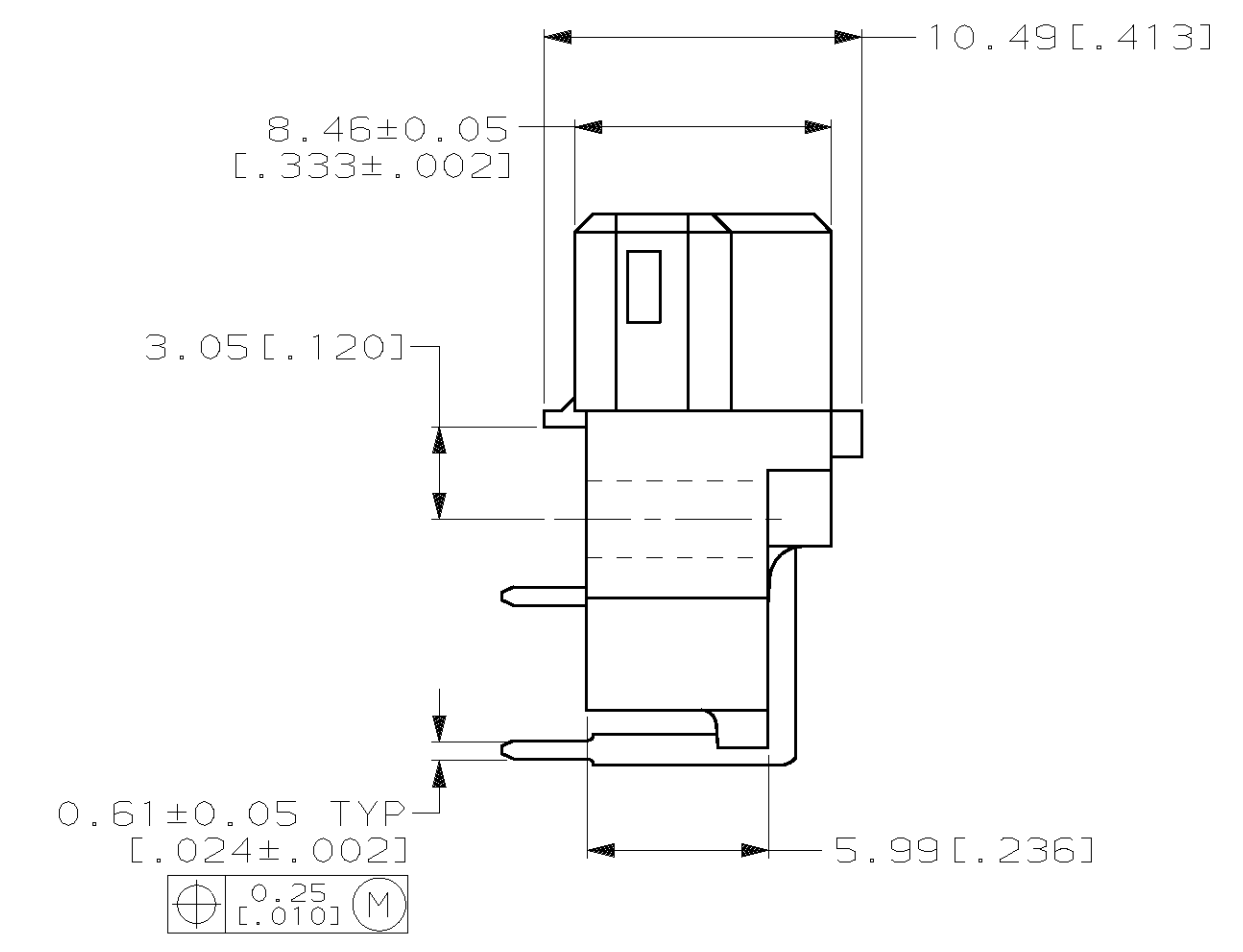
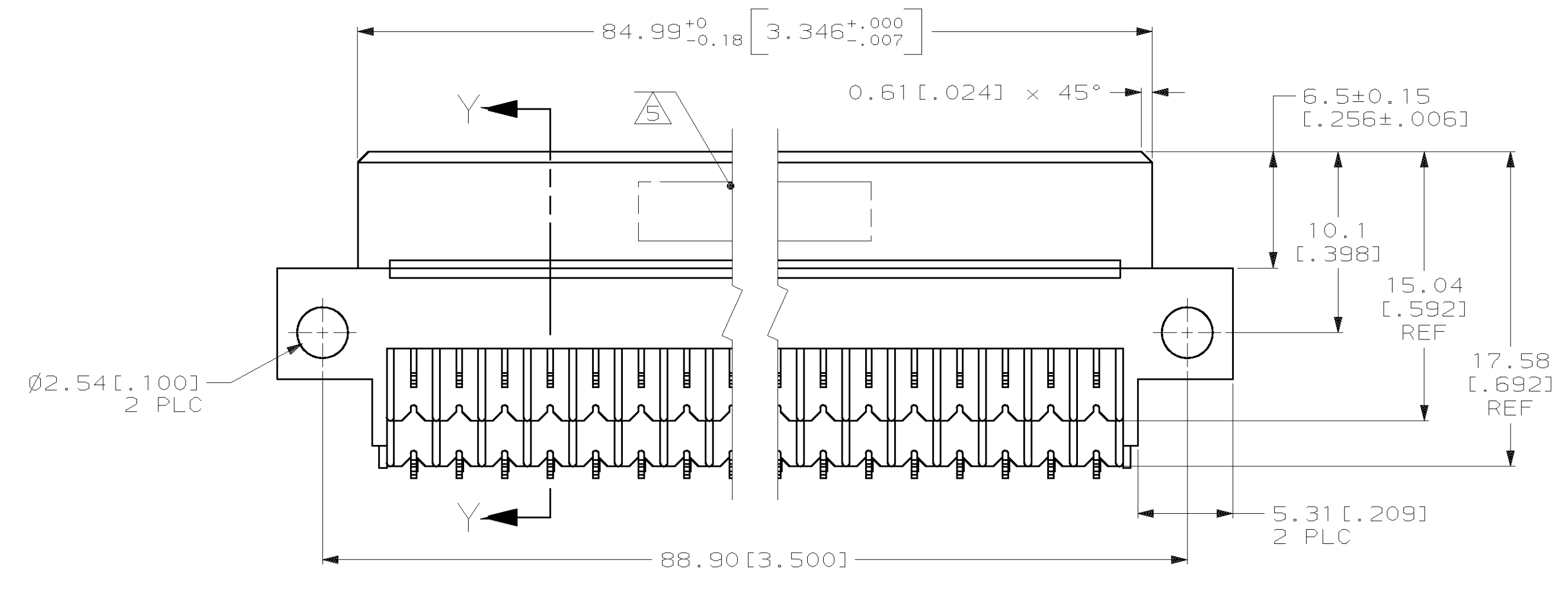


| LOC | DIST | P | F | ZONE | LTR | DESCRIPTION | DATE | APPD |
|-----|------|---|---|------|-----|-----------------------------|-----------|------|
| AD | 25 | | | | R | ADDED -6 PER EC 0621-103-99 | 08 APR 99 | CR |
| | | | | | S | REV PER EC 0U1B-0203-00 | 15 AUG 00 | CR |
| | | | | | T | REV PER EC 0S12-0016-03 | 09 JAN 04 | AS |



- ① HOUSING MATERIAL: GLASS-FILLED POLYESTER. COLOR: GRAY.
- ② CONTACT MATERIAL: PHOSPHOR BRONZE.
- ③ CONTACT FINISH: 0.00076[.000030] GOLD IN CONTACT AREA. 0.00127[.000050] NICKEL UNDERPLATE ALL OVER. TIN-LEAD ON POSTS.
- ④ RECOMMENDED HOLE SIZE FOR MANUAL APPLICATION OF CONNECTOR ONTO PC BOARD.
- ⑤ PART NUMBER, DATE CODE IDENTIFICATION, CSA LOGO HOT-STAMPED THIS APPROXIMATE AREA.
- ⑥ CONTACT POINT.
- ⑦ HOT-STAMPING ON THIS SIDE.
- ⑧ CONTACT FINISH: DIN 41612 CLASS 3 IN CONTACT AREA. TIN-LEAD ON POSTS.
- ⑨ CONTACT FINISH: DIN 41612 CLASS 1 IN CONTACT AREA. TIN-LEAD ON POSTS.
- ⑩ CONTACT FINISH: DIN 41612 CLASS 2 IN CONTACT AREA. TIN-LEAD ON POSTS.



| NOTES | POSITIONS LOADED | C | B | A | NO. OF LOADED POSITION | ASSY PART NUMBER | |
|------------------------|------------------|-----------|---|---|------------------------|------------------|----------|
| SUPERSEDED BY 650870-4 | ⑧ | 1 THRU 32 | X | - | X | 64 | 650870-9 |
| OBSOLETE | ⑩ | 1 THRU 32 | X | - | X | 64 | 650870-6 |
| | ⑩ | 1 THRU 32 | X | - | X | 64 | 650870-5 |
| OBSOLETE | ⑨ | 1 THRU 32 | X | - | X | 64 | 650870-4 |
| | ⑨ | 1 THRU 32 | X | - | X | 64 | 650870-1 |

| | | | |
|---|---|---|-----------------|
| DO NOT SCALE PRINT. UNLESS SPECIFIED DIMENSIONS IN mm [INCHES] TOLERANCES ON: 1 PLC DEC ± - 2 PLC DEC ± 0.13[.005] ANGLES ± - | DR L. BRINER 9/17/90 CHK N. DRASHER 12/19/91 APPD N. DRASHER 12/19/91 | AMP INCORPORATED Harrisburg, Pa. 17105 | |
| MATERIAL HOUSING: ① CONTACT: ② | APPD K.R. PARMER 12/19/91 PRODUCT SPEC - | RECEPTACLE ASSEMBLY, EUROCARD, TYPE R | |
| FINISH CONTACT: ③ ⑧ ⑨ ⑩ | APPLICATION SPEC - | SIZE D | CAGE CODE 00779 |
| WEIGHT - | DRAWING NO 650870 | SCALE 4:1 | SHEET 1 OF 1 |

单击下面可查看定价，库存，交付和生命周期等信息

[>>TE Connectivity\(泰科\)](#)