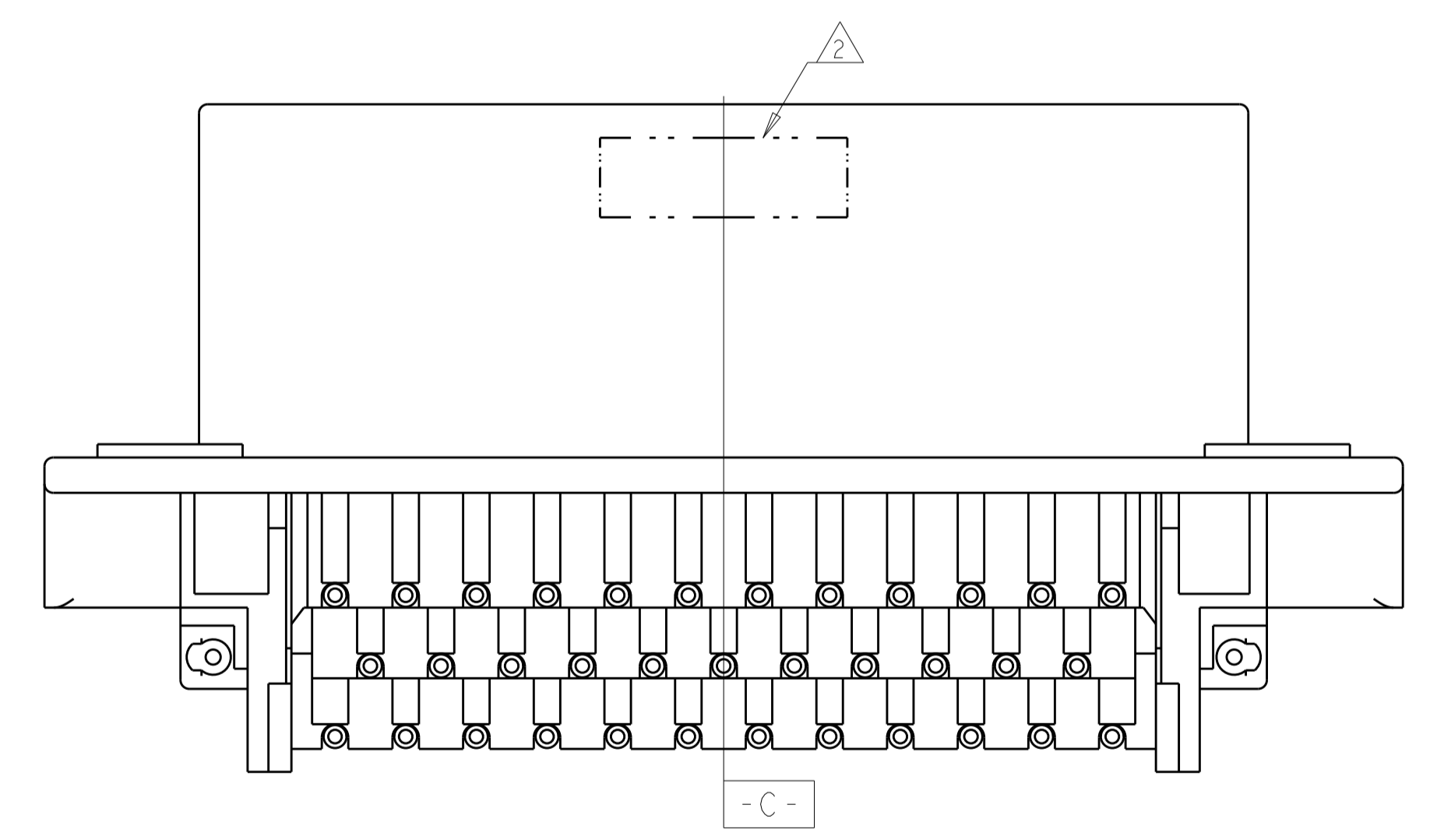
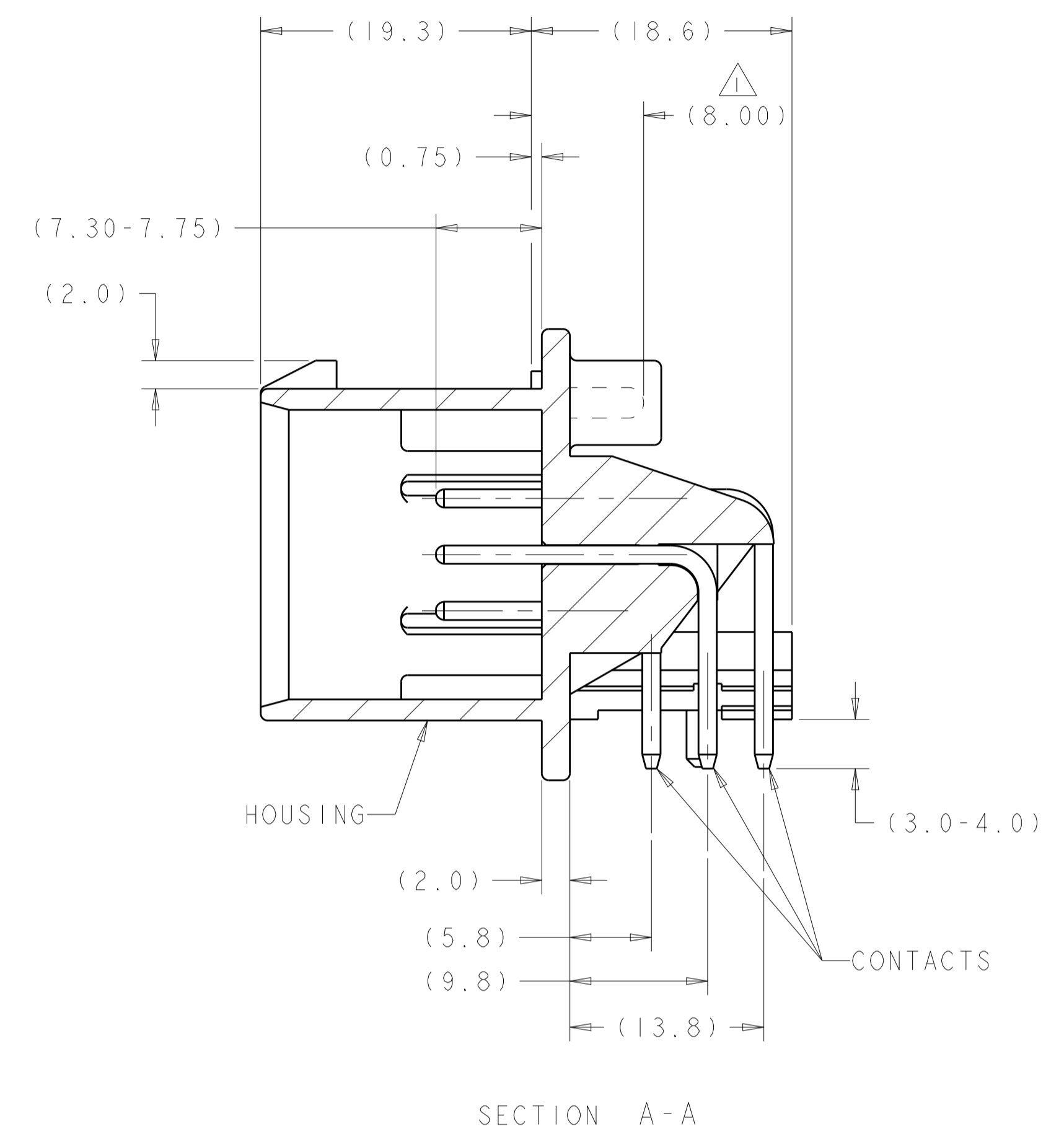
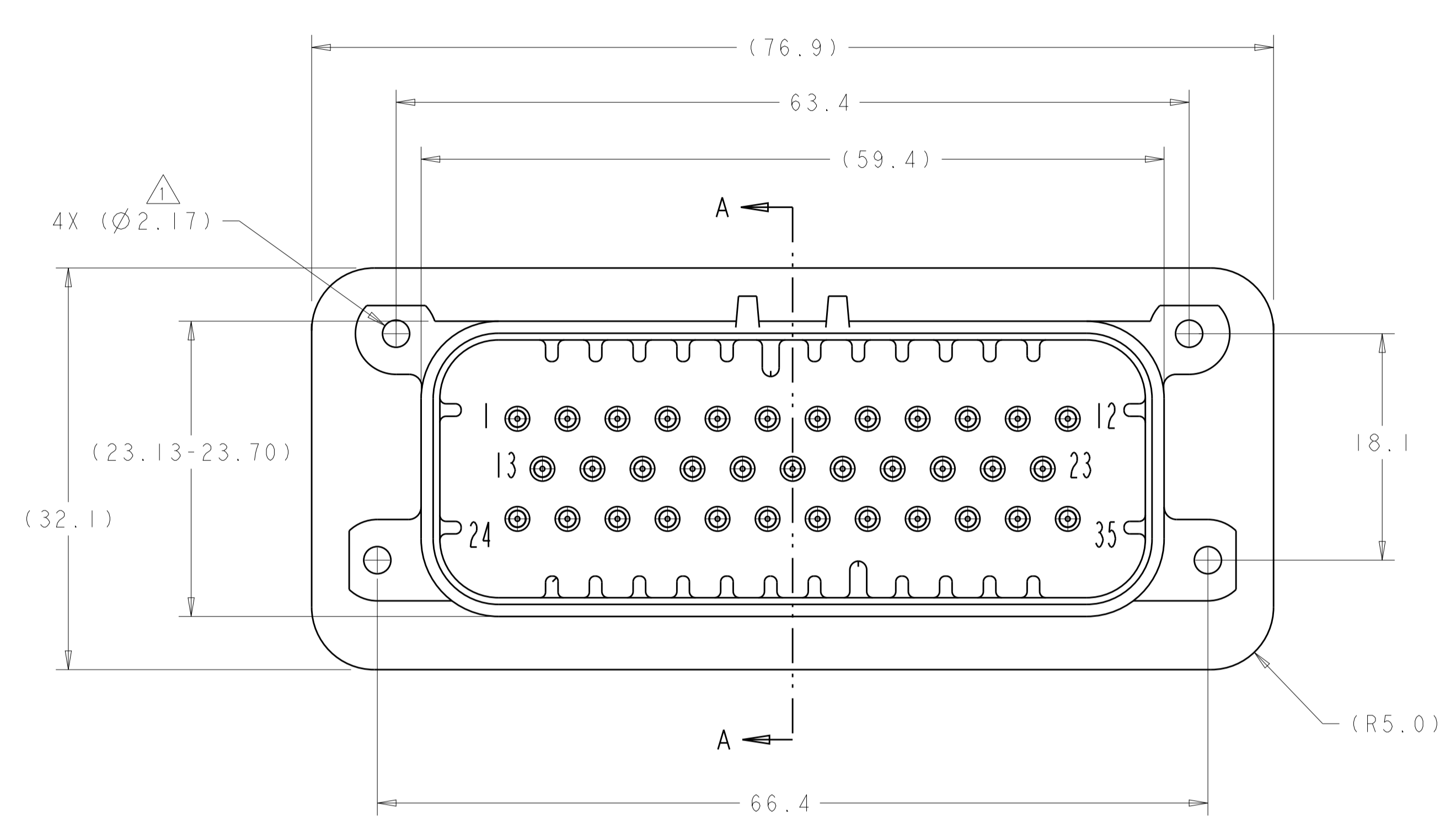


REVISIONS				
P.	LTR.	DESCRIPTION	DATE	APP'D.
H8		REV PER ECO-19-009419	19JUN2019	DS DS
H9		REV PER ECO-20-004256	25MAR2020	JM DS
H10		REVISED PER PCN E-20-016603	24NOV2020	PN DS



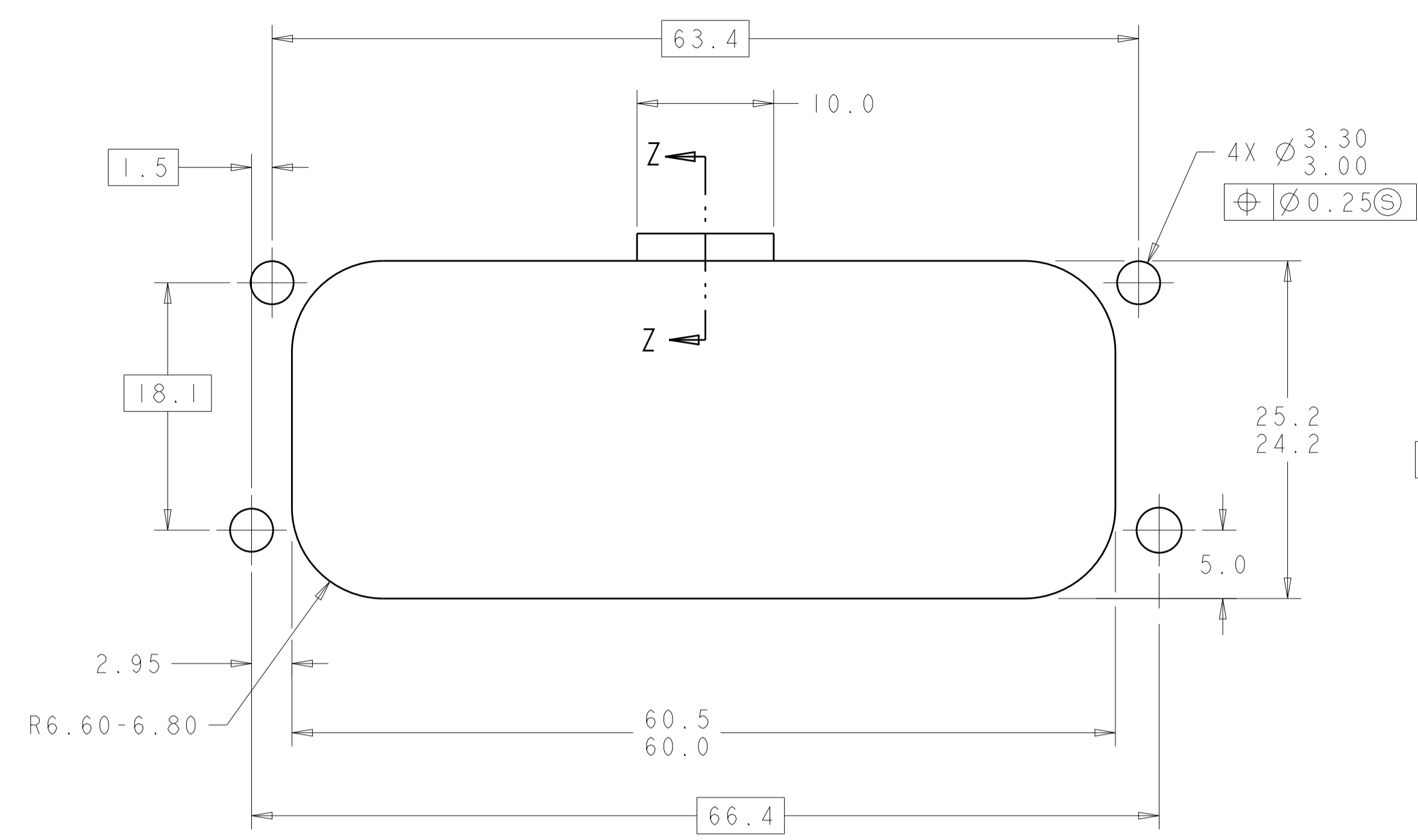
- 1. SUGGESTED MOUNTING SCREW SIZE IS Ø2.50-3.00mm [Ø0.099 - 0.118 INCH] SELF TAPPING THREAD FORMING SCREW, SUCH AS DELTA PT, TO BE DRIVEN AT 0.6-0.8 N-m. THE CUSTOMER SHOULD TEST THE SCREW SIZE AND TYPE IN ORDER TO VERIFY THEIR SELECTION FOR THEIR APPLICATION.
- 2. DATE CODE IN THIS LOCATION USING 5 DIGIT CODE. FIRST 2 DIGITS = YEAR, SECOND 2 DIGITS = WEEK, LAST DIGIT = DAY.
- 3. HOUSING COLORS ARE MECHANICALLY KEYED TO MATE ONLY WITH IDENTICALLY COLORED PLUG ASSEMBLIES.
- 4. MATERIAL: HEADER HOUSING - GLASS FILLED PBT; PINS - TIN OR GOLD PLATED BRASS.
- 5. HEADER MATES TO PLUG ASSEMBLY 776164 WHICH USES REELED TERMINAL 770520 OR LOOSE PIECE TERMINAL 770854.

776180-1 & 1-776180-1  
 KEY LOCATION AS SHOWN

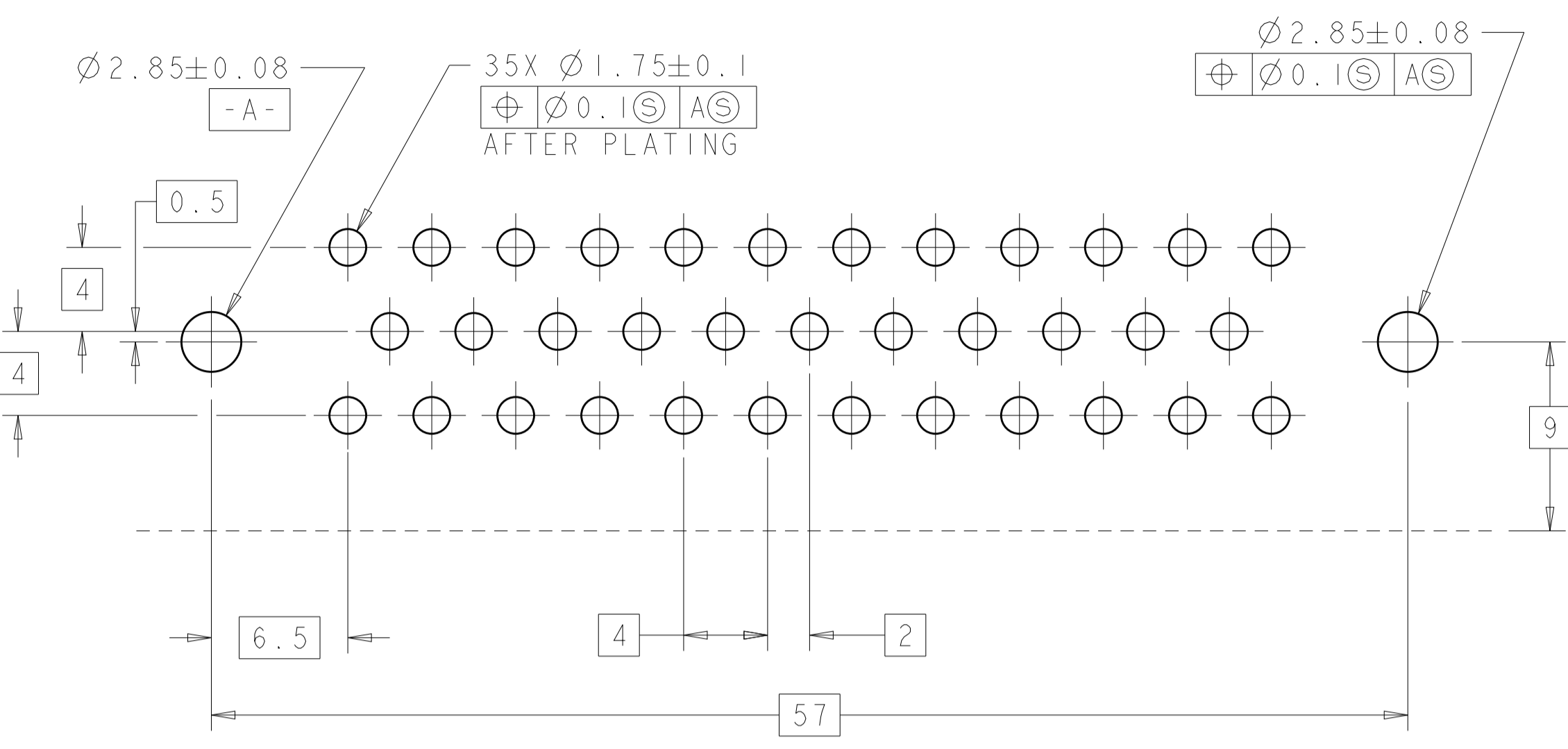
GOLD	ORANGE	1-776180-6
GOLD	BLUE	1-776180-5
GOLD	GRAY	1-776180-4
GOLD	NATURAL (WHITE)	1-776180-2
GOLD	BLACK	1-776180-1
TIN	BLUE	776180-5
TIN	GRAY	776180-4
TIN	NATURAL (WHITE)	776180-2
TIN	BLACK	776180-1
FINISH	HEADER COLOR	PART NUMBER

THIS DRAWING IS A CONTROLLED DOCUMENT.		OWN: R. VESTAL 31DEC2002	TE Connectivity
DIMENSIONS: mm		CHK: D. CROWE 31DEC2002	
TOLERANCES UNLESS OTHERWISE SPECIFIED:		APVD: D. CROWE 31DEC2002	NAME: HEADER ASSEMBLY, 35 POSITION, RIGHT ANGLE, AMPSEAL
0 PLC ±0.2		PRODUCT SPEC: 108-1329	
1 PLC ±0.2		APPLICATION SPEC: 114-16016	SIZE: A1
2 PLC ±0.2		WEIGHT: 40.45g	CAGE CODE: 776180
3 PLC ±0.2		FINISH: 4	RESTRICTED TO: -
4 PLC ±0.2		CUSTOMER DRAWING	SCALE: 4:1 SHEET 1 OF 2
ANGLES ±0.1			REV: H10

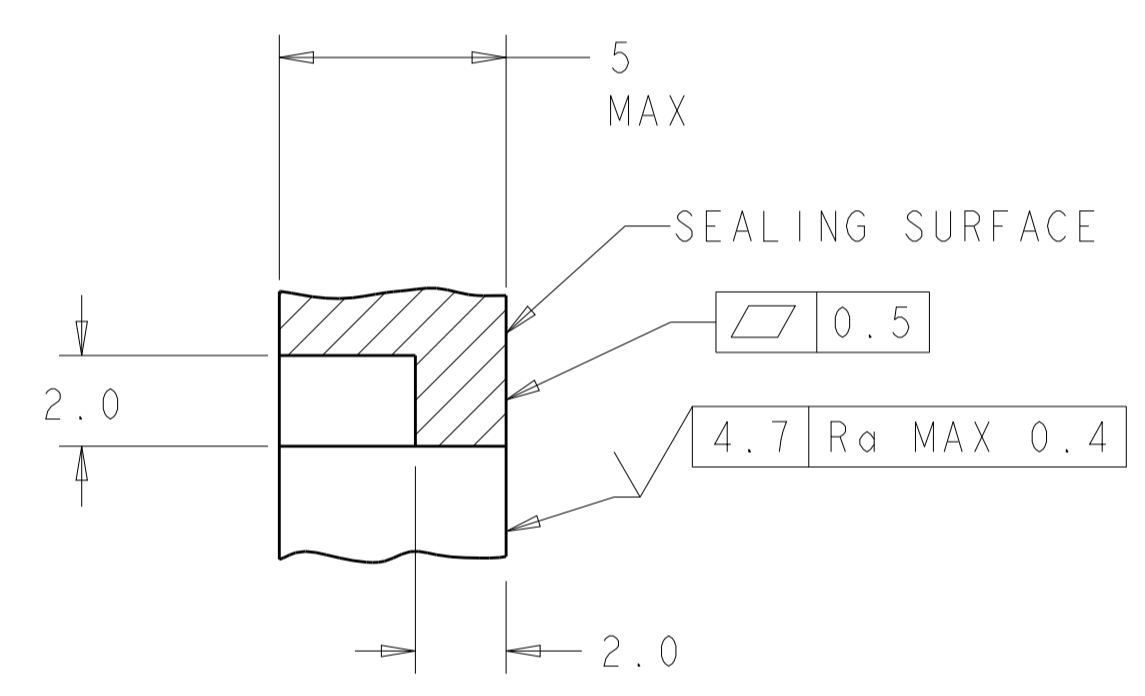
REVISIONS				
P.	LTN.	DESCRIPTION	DATE	APVD.
-	-	SEE SHEET 1	-	-



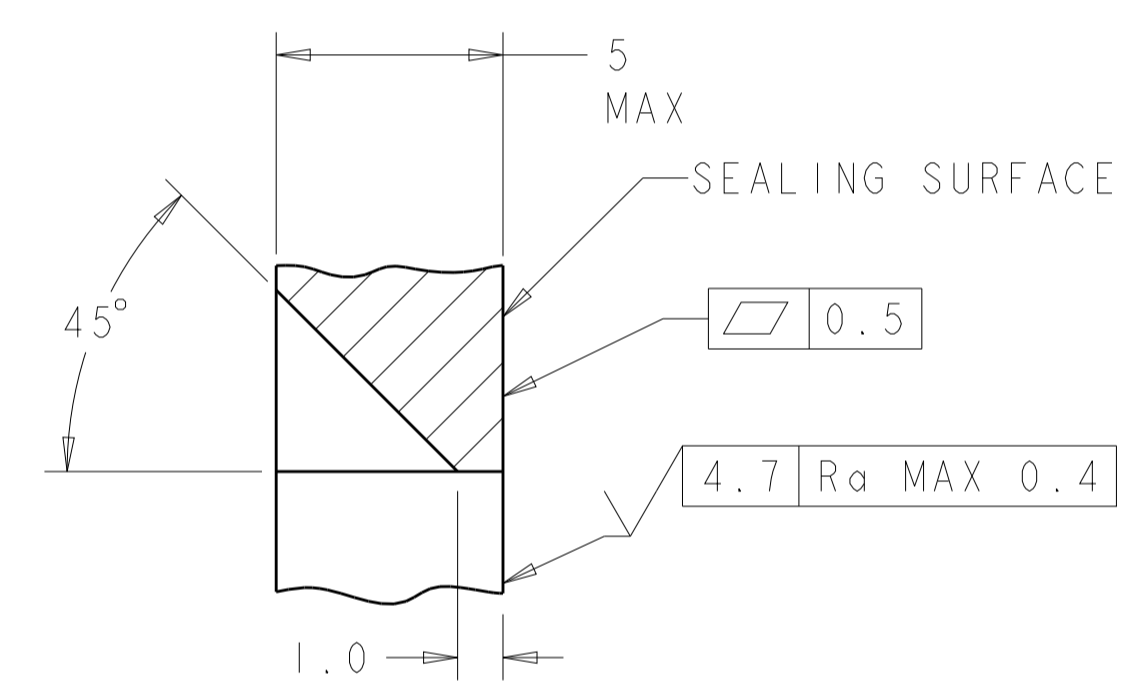
RECOMMENDED MOUNTING HOLE LAYOUT FOR 5.0 MAX THICK PANEL SCALE 3:1



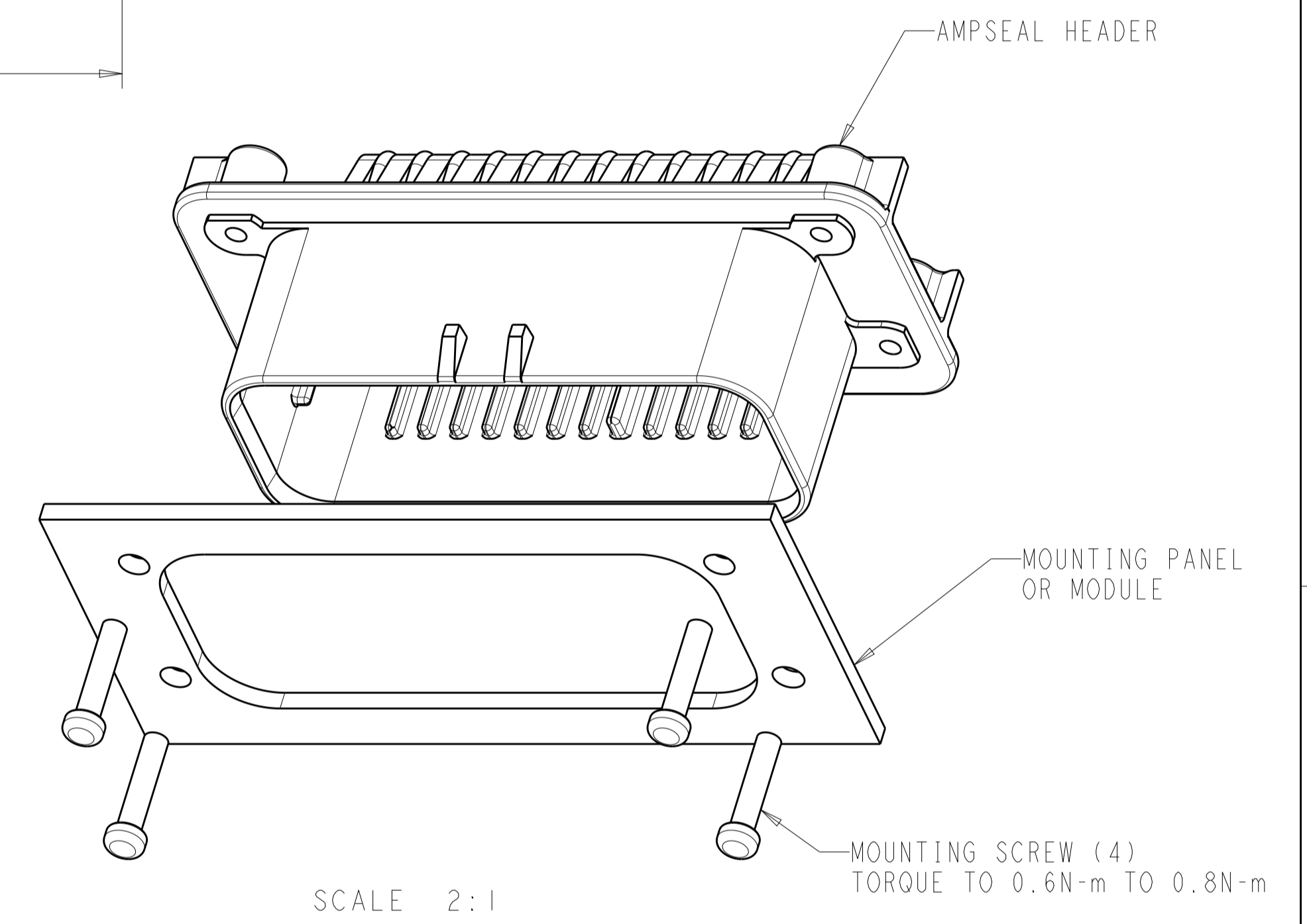
RECOMMENDED P.C. BOARD LAYOUT FOR 1.57 THICK P.C. BOARD



SECTION Z-Z OPTIONAL CONSTRUCTION IF THICKNESS IS GREATER THAN 2.0 SCALE 6:1

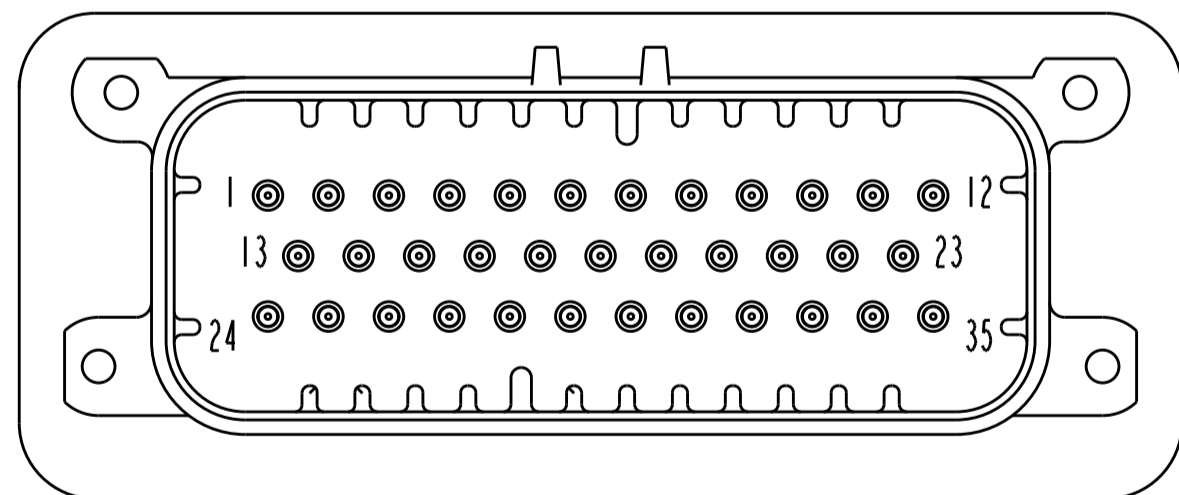


SECTION Z-Z OPTIONAL CONSTRUCTION IF THICKNESS IS GREATER THAN 2.0 SCALE 6:1

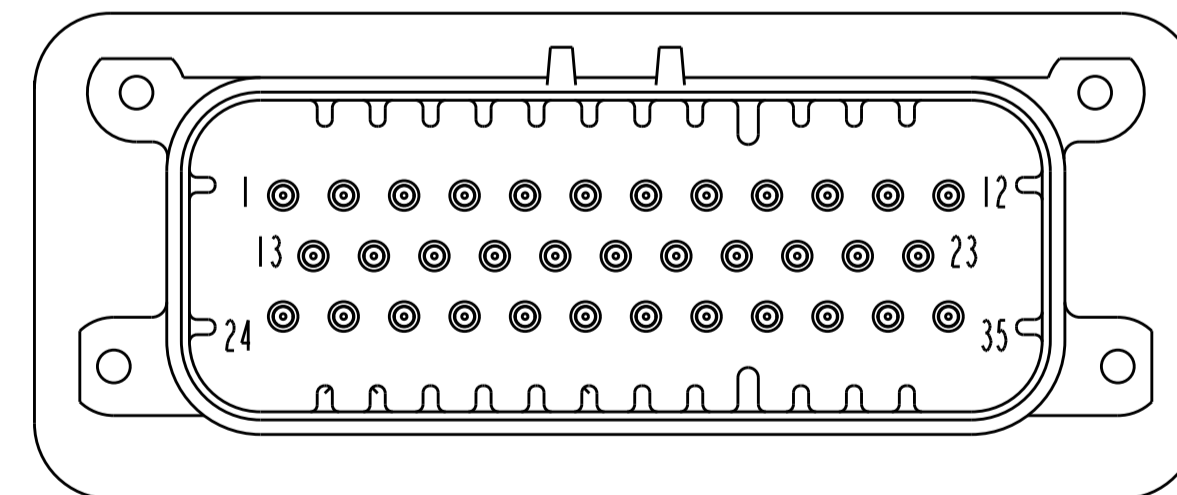


SCALE 2:1

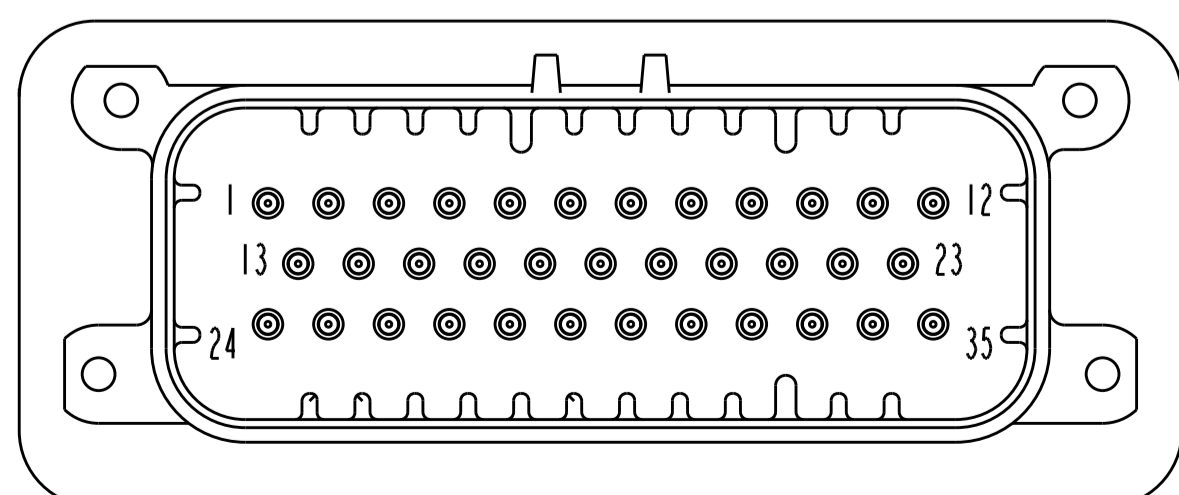
TORQUE TO 0.6N-m TO 0.8N-m



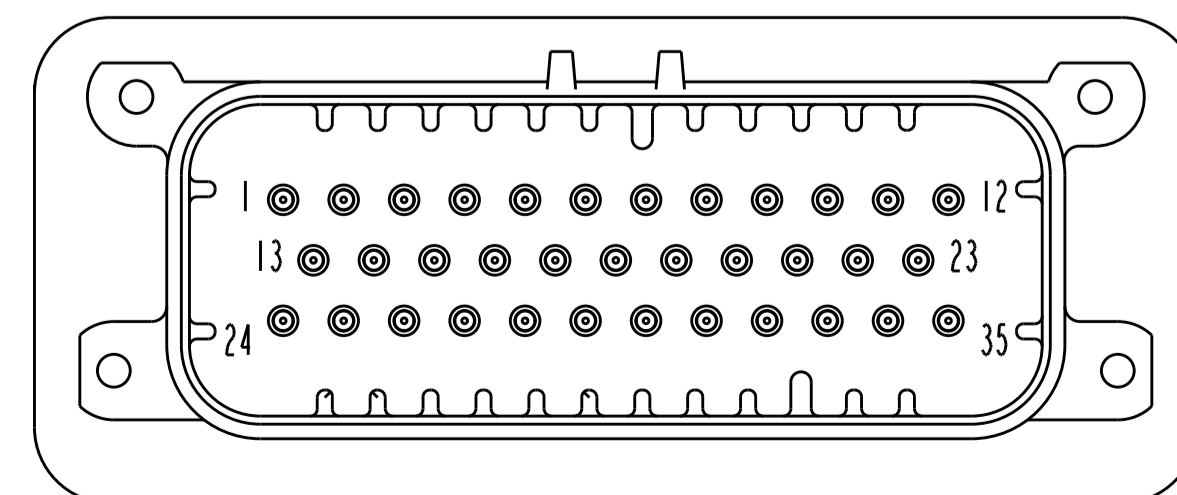
776180-2 & 1-776180-2 KEY LOCATION AS SHOWN SCALE 2:1



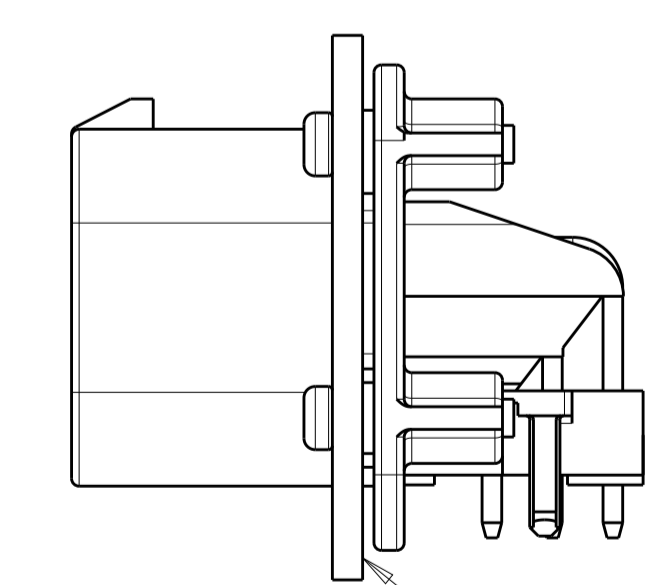
776180-4 & 1-776180-4 KEY LOCATION AS SHOWN SCALE 2:1



776180-5 & 1-776180-5 KEY LOCATION AS SHOWN SCALE 2:1



1-776180-6 KEY LOCATION AS SHOWN SCALE 2:1



SCALE 2:1

ENSURE THE HEADER IS FLUSH TO THE PANEL FACE ALL AROUND BEFORE TIGHTENING TO FINAL TORQUE

THIS DRAWING IS A CONTROLLED DOCUMENT.		OWN: R. VESTAL 31DEC2002	TE Connectivity
DIMENSIONS: mm		CHK: D. CROWE 31DEC2002	
TOLERANCES UNLESS OTHERWISE SPECIFIED:		APVD: D. CROWE 31DEC2002	
0 PLC ± 1 PLC ±0.2 2 PLC ± 3 PLC ± 4 PLC ± ANGLES ±		NAME: HEADER ASSEMBLY, 35 POSITION, RIGHT ANGLE, AMPSEAL PRODUCT SPEC: 108-1329 APPLICATION SPEC: 114-16016 WEIGHT: 40.45g CUSTOMER DRAWING	
MATERIAL: -		FINISH: -	SIZE: A100779 CAGE CODE: 776180 SCALE: 4:1 SHEET 2 OF 2

单击下面可查看定价，库存，交付和生命周期等信息

[>>TE Connectivity\(泰科\)](#)