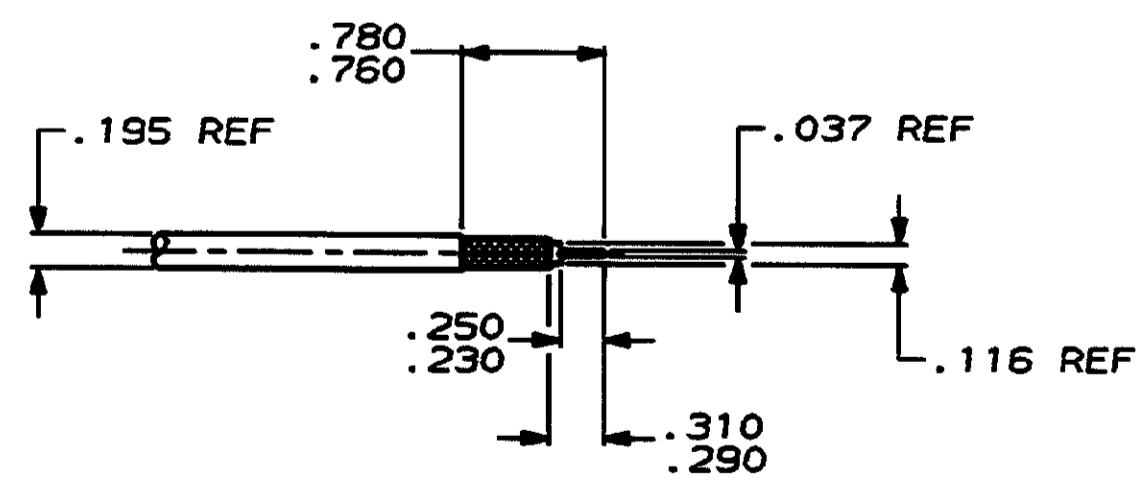
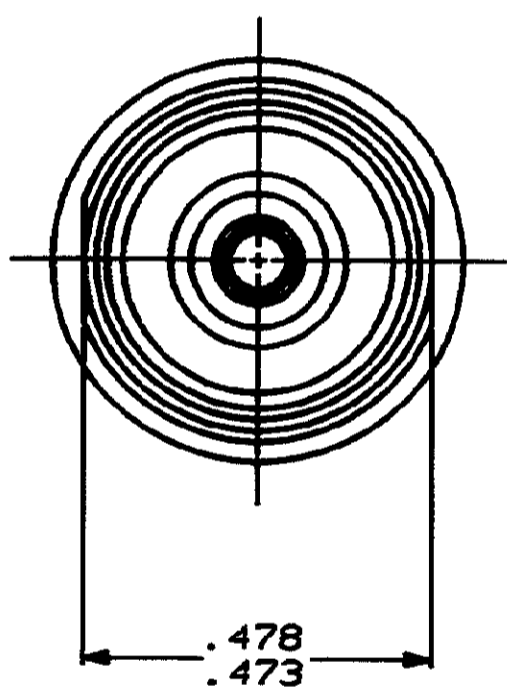
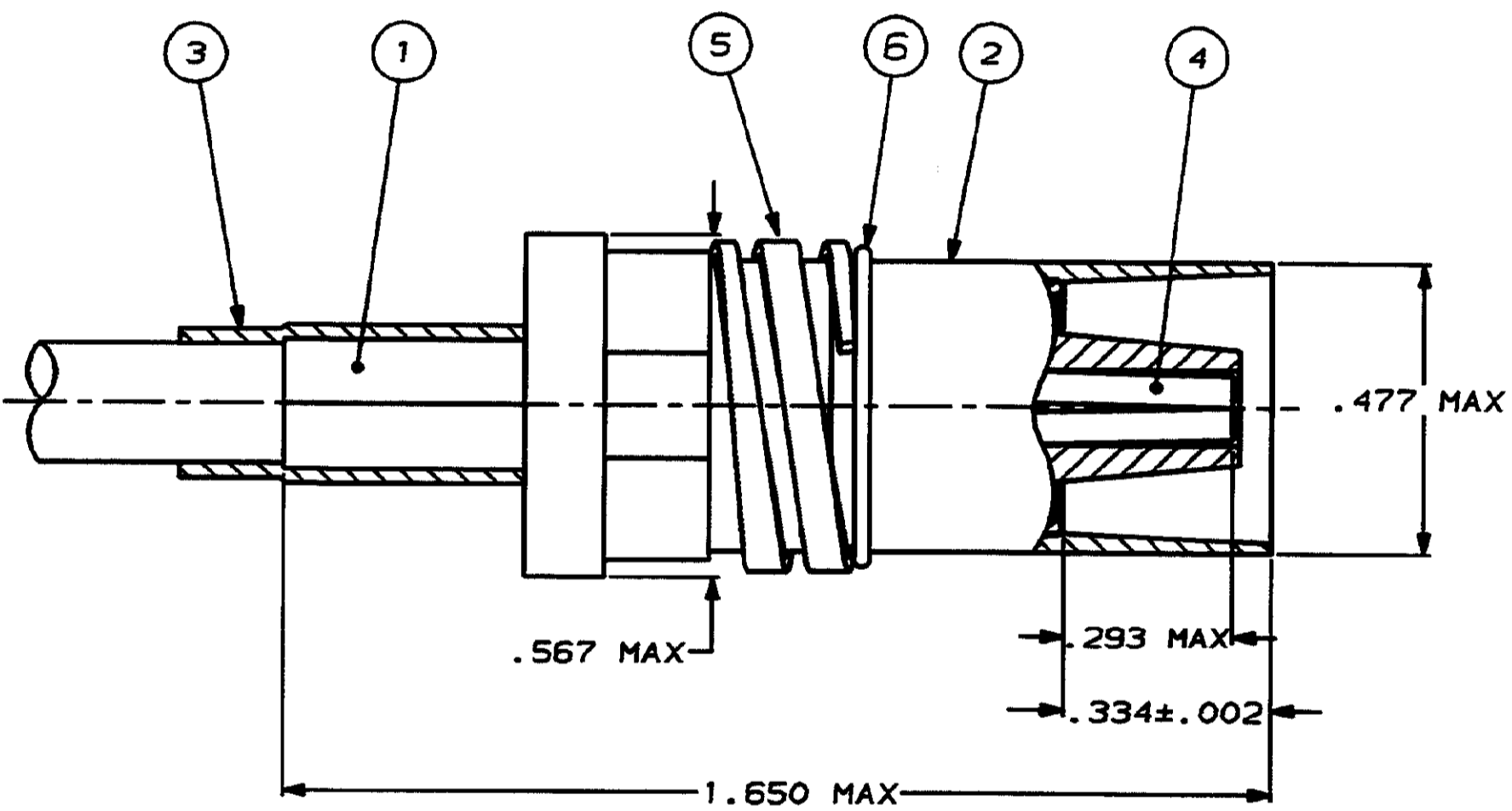


DRAWING MADE IN THIRD ANGLE PROJECTION
 THIS DRAWING IS UNPUBLISHED. RELEASED FOR PUBLICATION
 © COPYRIGHT 19 BY AMP INCORPORATED. ALL INTERNATIONAL RIGHTS RESERVED.

LOC	DIST	P	F	ZONE	LTR	DESCRIPTION	DATE	APPO
DF	XO					RELEASED PER NPR 89-0192	5/12/89	KH/RH
					A	REVISED PER DF2079	7/24/89	RCH
					B	REVISED PER DF2563	11/21/89	RCH
					C	REVISED PER DF2990	2-26-90	PY
					D	REVISED PER DF3222	4-12-90	PY
					E	REVISED PER DF3583	7-24-90	PY
					F	REV PER 0600-0177-93 JB		

1. FOR USE WITH RG-142/U CABLE
2. BRAID CRIMP: USE MILITARY TOOL M22520/5-01, WITH DIE SET M22520/5-11, CAVITY A OR EQUIVALENT
3. CENTER CONTACT CRIMP: USE MILITARY TOOL M22520/5-01, WITH DIE SET M22520/5-11, CAVITY B OR EQUIVALENT
4. SEE APPLICATION SPEC. 114-9017.
5. PARTS PACKAGED UNASSEMBLED.



RECOMMENDED STRIP LENGTH
SCALE 1:1

QTY	PART NO	DESCRIPTION	ITEM NO
1	985184-1	RING, RETAINING	6
1	446921-2	SPRING	5
1	446551-1	CONTACT ASSEMBLY	4
1	228143-2	HEAT SHRINK TUBING	3
1	446550-1	SOCKET ASSEMBLY	2
1	446556-3	FERRULE	1

DO NOT SCALE PRINT. UNLESS SPECIFIED DIMENSIONS IN INCHES TOLERANCES ON:

DR	R. HOSLER	5/11/89	AMP INCORPORATED Harrisburg, Pa. 17105		
CHK	R. HOSLER	5/12/89			
APPD	R. HOSLER	5/12/89	NAME		
APPD	R. HOSLER	5/12/89			
MATERIAL	-	-	COAXIAL CONTACT, SOCKET, SIZE 1, MODIFIED		
PRODUCT SPEC	-	-			
FINISH	-	-	SIZE	FSCN NO	DRAWING NO
WEIGHT	-	-	C	00779	446549-1
			SCALE	4:1	SHEET
					1 OF 1

CUSTOMER DRAWING

单击下面可查看定价，库存，交付和生命周期等信息

[>>TE Connectivity\(泰科\)](#)