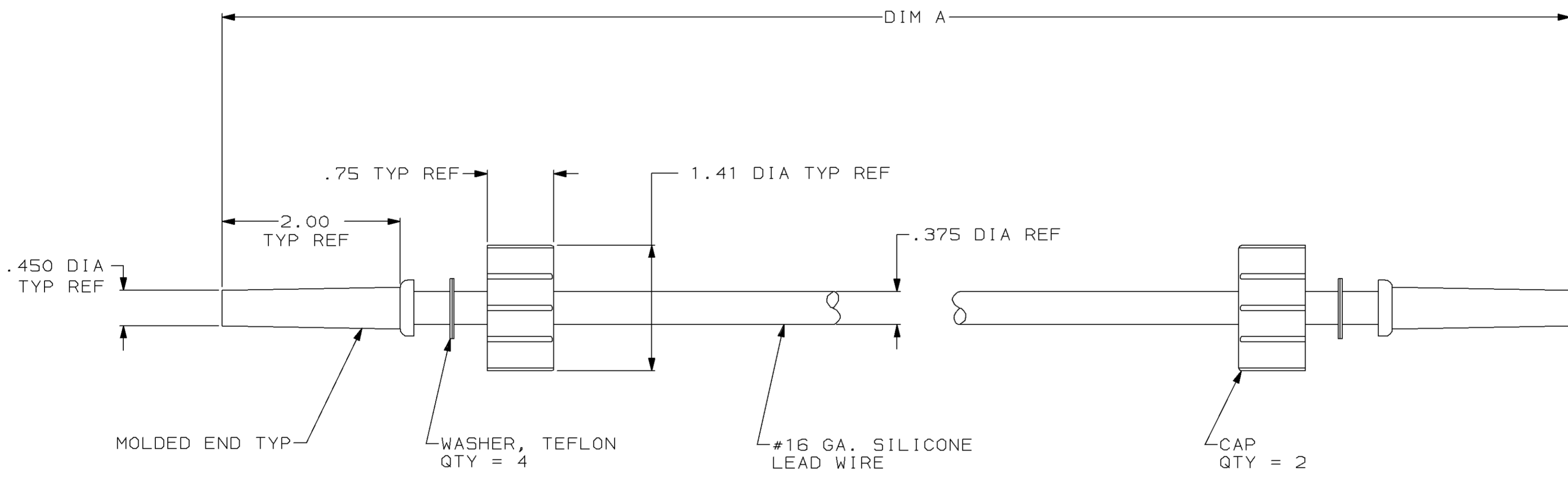


4092	Loc DF	DIST 50	P	F	REVISIONS				
					ZONE	LTR	DESCRIPTION	DATE	APPD
						0	RSLE/W.0.8-036F CCT	2-88	GS
						A	REV 0600-0605-93 TT	07-93	SG



1. MARKED PER MIL STD-130.
2. TO MATE WITH AMP LGH-4 RECEPTACLE WITH 2.00 BARREL DEPTH.
3. COLOR OF LEAD WIRE: WHITE.

18.00±.12	445217-2
24.00±.24	445217-1
A DIM	PART NO

DO NOT SCALE PRINT. UNLESS SPECIFIED DIMENSIONS IN INCHES TOLERANCES ON : 2 PLC DEC ± — 3 PLC DEC ± — ANGLES ± —	DR 2-10-88 C. THOMAS	AMP INCORPORATED Harrisburg, Pa. 17105	
	CHK 2-12-88 G. SCHAEFFER		
MATERIAL	APPD 2-12-88 M. GARDNER	NAME	
FINISH	APPD 2-12-88 W. SHATTO	LEAD ASS'Y, DBL. END, LGH-4	
PRODUCT SPEC	APPLICATION SPEC	SIZE	FSCM NO
WEIGHT	—	<b>C</b>	00779
		SCALE	DRAWING NO
		1:1	445217
			SHEET 1 OF 1

单击下面可查看定价，库存，交付和生命周期等信息

[>>TE Connectivity\(泰科\)](#)