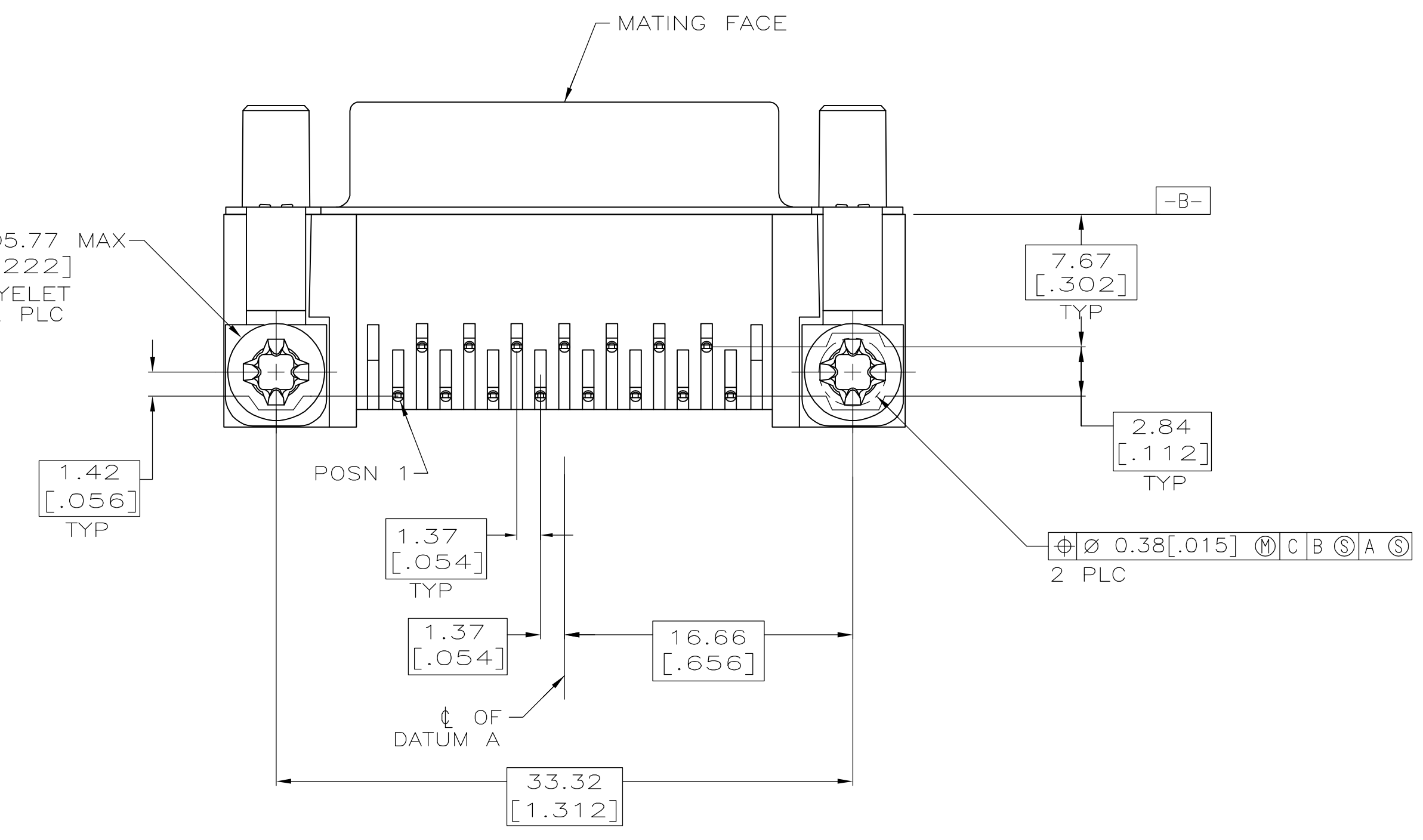
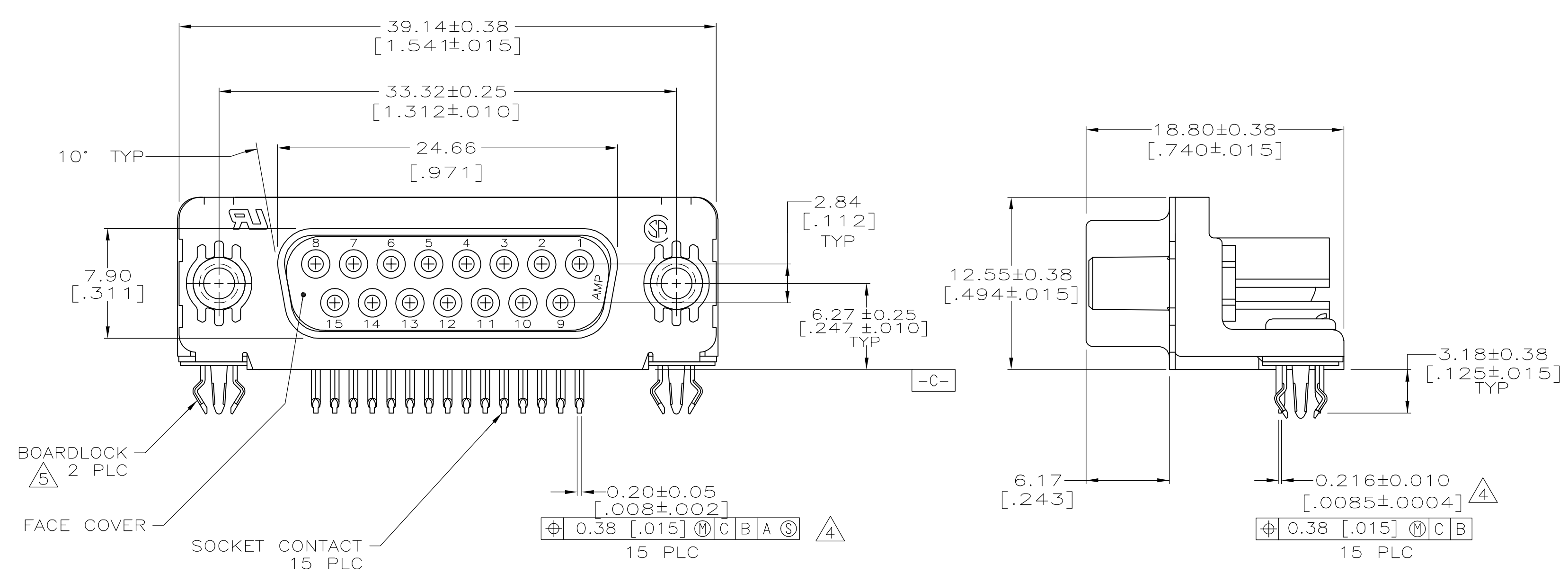
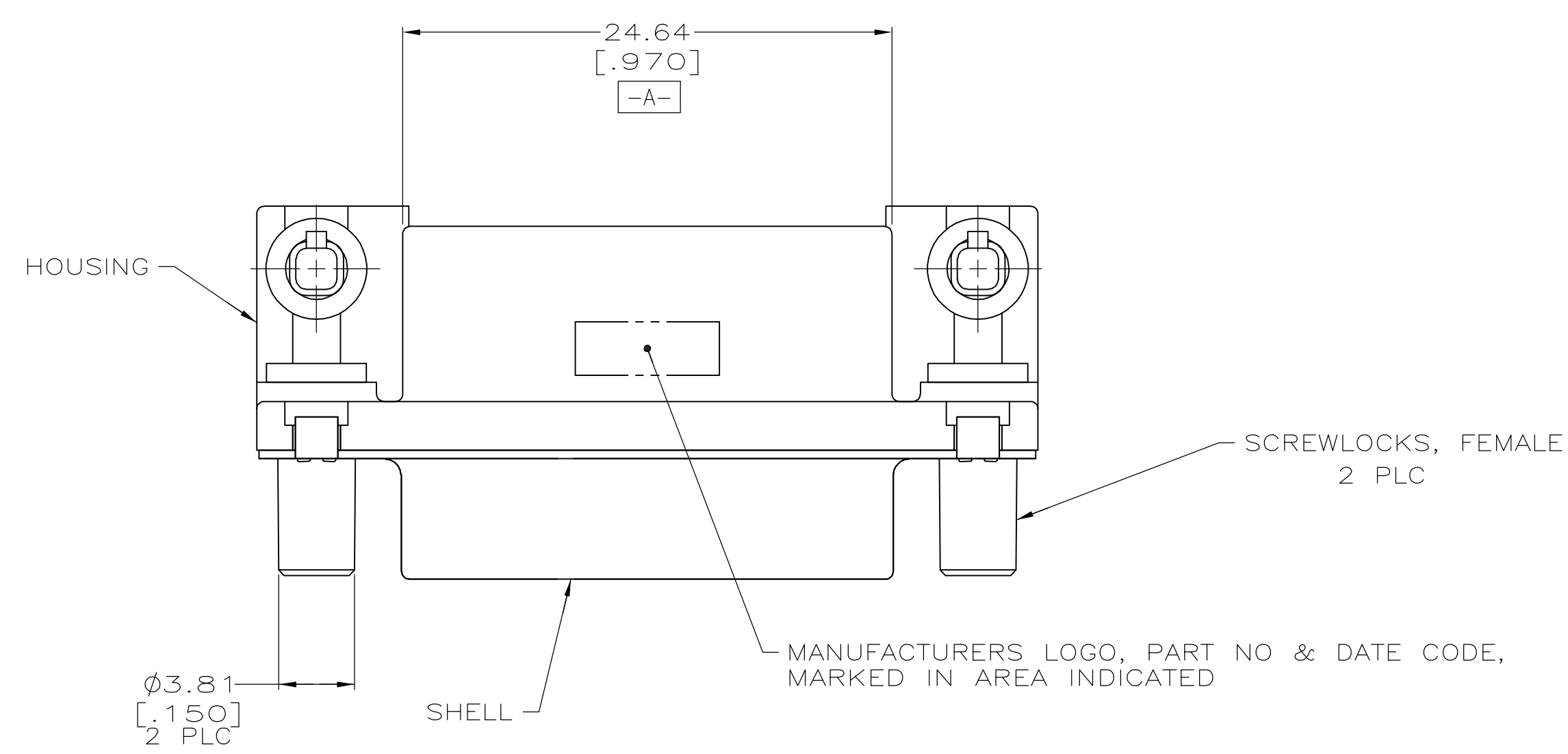
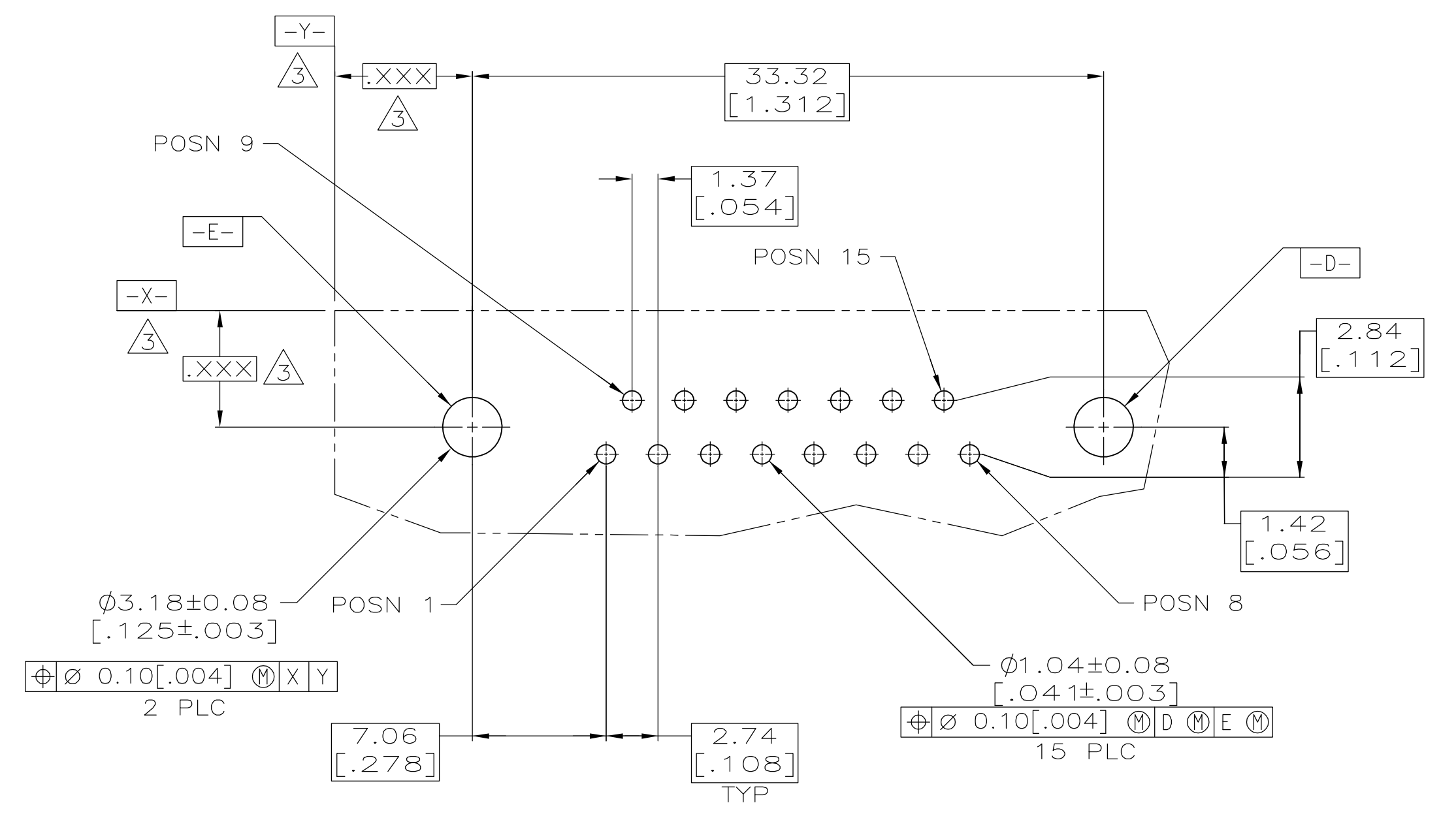


LOC		DIST		REVISIONS			
P	LTR	DESCRIPTION	DATE	DWN	APPD		
0		RELEASED PER EC 0513-0016-05	04-12-05	JA	JG		



- △ HOUSING & FACE COVER: NYLON, THERMOPLASTIC, UL 94VO RATED, BLACK; SHELL: CARBON STEEL; SOCKET CONTACTS: PHOSPHOR BRONZE; EYELETS: BRASS; SCREWLOCKS: ZINC; BOARDLOCKS: COPPER ALLOY.
- △ SOCKET CONTACTS: GOLD PLATED FOR A LENGTH OF 1.27 [.050] MIN FROM MATING END, 0.76μm [.000030] MIN GOLD IN MATED AREA, 2.54μm [.000100] MIN TIN FOR A LENGTH OF 3.56 [.140] MIN FROM OPPOSITE END, BOTH OVER 1.27μm [.000050] MIN NICKEL. EYELETS: 2.54μm [.000100] MIN TIN OVER COPPER FLASH. SHELL: 2.54μm [.000100] MIN TIN OVER 1.27μm [.000050] MIN COPPER. SCREWLOCKS: CLEAR CHROMATE. BOARDLOCKS: 3.81μm [.000150] MIN TIN OVER 1.27μm [.000050] MIN NICKEL.
- △ DATUMS AND BASIC DIMENSIONS ESTABLISHED BY CUSTOMER.
- △ POSITION TOLERANCE APPLIES AT CONTACT TIP.
- △ BOARDLOCKS WILL ACCEPT .062 MAX PRINTED CIRCUIT BOARD THICKNESS.
- 6. COMPATIBLE WITH SOLDERING APPLICATIONS TO A MAXIMUM OF 225° C FOR A MAXIMUM DURATION OF 90 SECONDS. TEMPERATURE TO BE MEASURED ON CONNECTOR SURFACE.



**COPYRIGHT 2005
 TYCO ELECTRONICS CORP
 ALL RIGHTS RESERVED**

THIS DRAWING IS A CONTROLLED DOCUMENT.		DWN J. ALCORTA - DOCK5 04-12-05	Tyco Electronics Corporation Harrisburg, PA 17105-3608
DIMENSIONS: min [inches]		CHK S. BOLASH 04-12-05	
TOLERANCES UNLESS OTHERWISE SPECIFIED:		APVD M. WALMSLEY 04-12-05	NAME RCPT ASSEMBLY, SIZE 2, .318 SERIES, WITH FRONT METAL SHELL, HIGH TEMPERATURE, AMPLIMITETE HD-20
0 PLC ± .005	1 PLC ± .005	PRODUCT SPEC 108-40025	SIZE A1
2 PLC ± .013 [0.005]	3 PLC ± .013 [0.005]	APPLICATION SPEC 114-40010	CAE CODE 00779
4 PLC ± .013 [0.005]	5 PLC ± .013 [0.005]	WEIGHT -	DRAWING NO C=5788799
ANGLES ± 2°	FINISH -	CUSTOMER DRAWING	RESTRICTED TO -
		SCALE 4:1	SHEET 1 OF 1

5788799-1
 PART NUMBER

单击下面可查看定价，库存，交付和生命周期等信息

[>>TE Connectivity\(泰科\)](#)