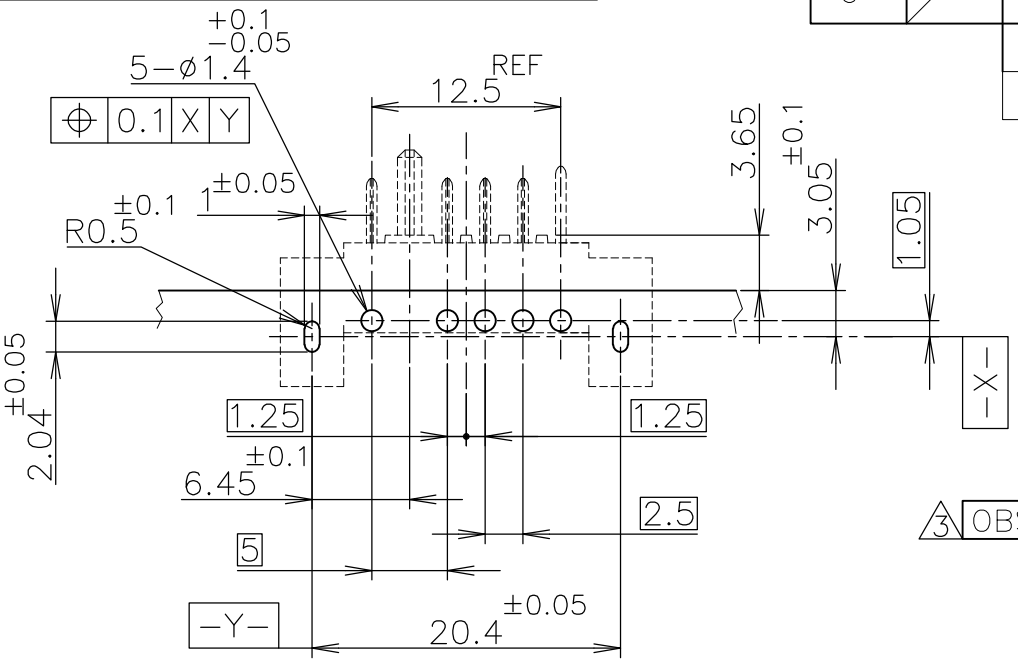
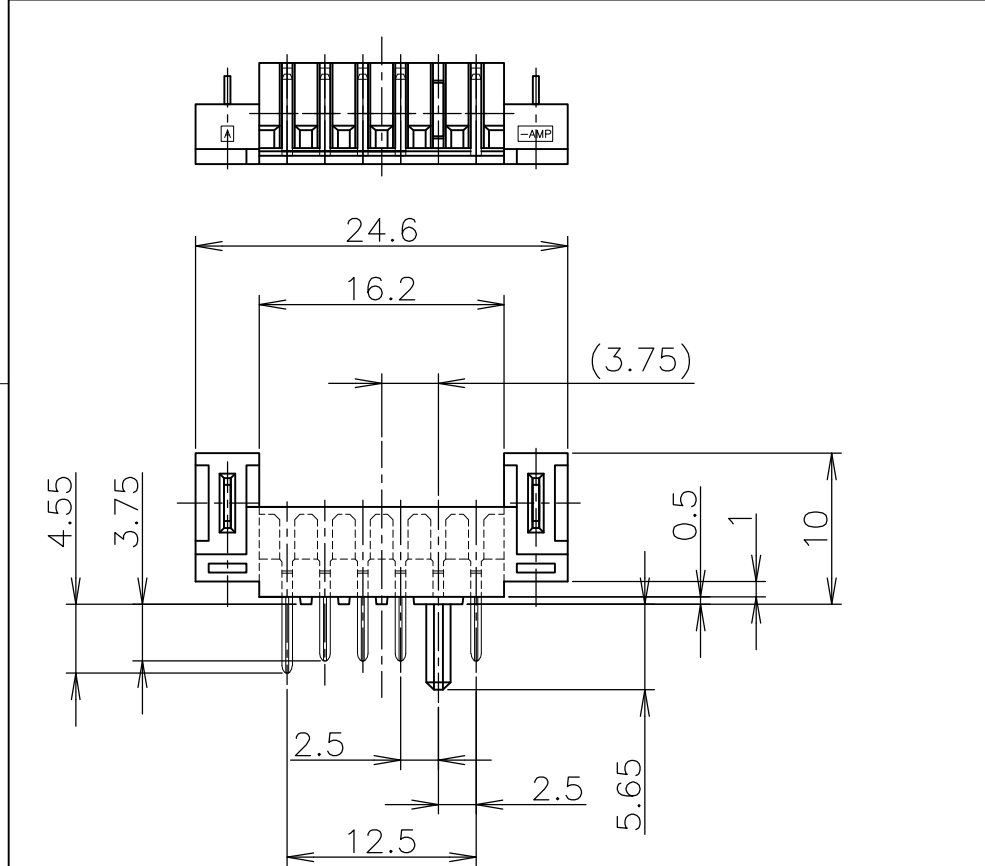


THIS DRAWING IS UNPUBLISHED. RELEASED FOR PUBLICATION OCT., 2004.
 © COPYRIGHT 2004 BY TYCO ELECTRONICS CORPORATION. ALL RIGHTS RESERVED.

LOC	DIST	REVISIONS					
J	/	P	LTR	DESCRIPTION	DATE	DWN	APVD
		0		RELEASED FJBO-1200-04	08OCT04	T.K	K.I
		01		REVISED PER ECO-09-024927	10NOV09	KK	AEG



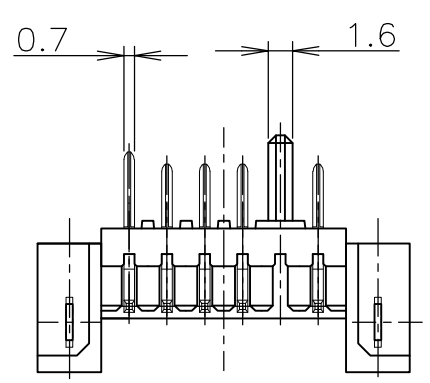
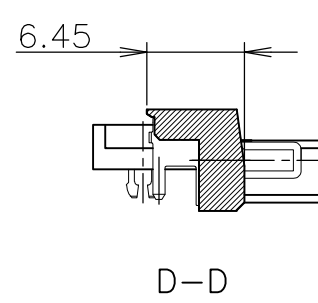
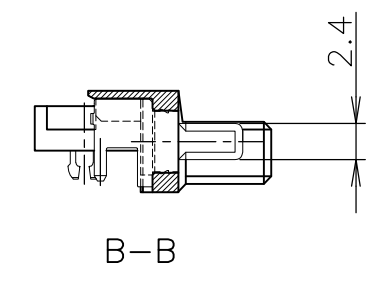
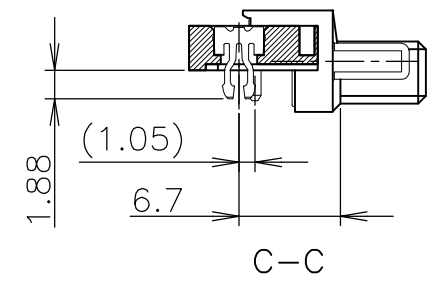
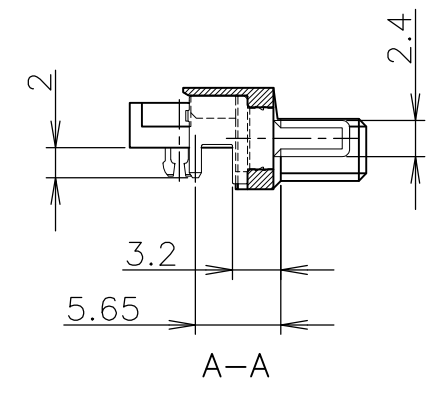
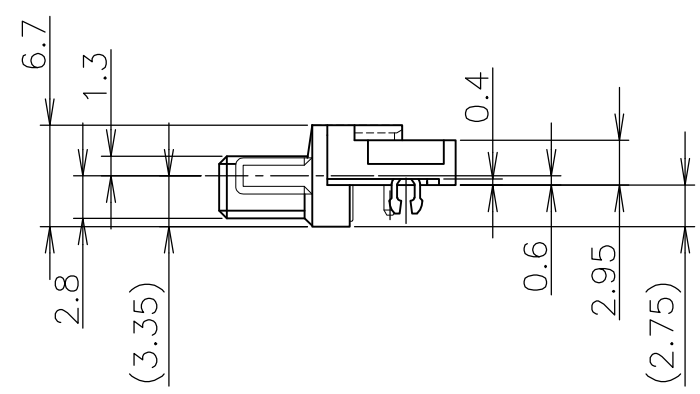
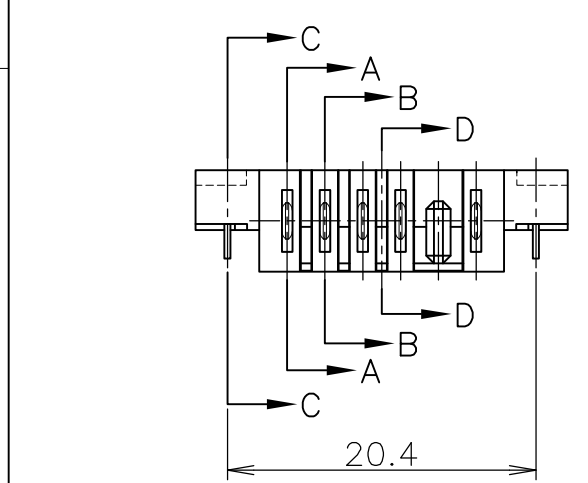
1-6318792-1	FOR AUTO CHIP MOUNTER
6318792-1	NORMAL
PART NUMBER	TRAY TYPE

基板取付推奨寸法
 RECOMMENDED P.C.BOARD LAYOUT
 P.C.BOARD THK 0.8~1.2
 (VIEW FROM CONNECTOR MOUNTING SIDE)

- ① 材料 ハウジング：熱可塑性樹脂 UL94V-0
色；黒
コンタクト：銅合金
リテンションレグ：銅合金
- ② 仕上げ コンタクト：Ni 下地めっき
接触部 Pd-Niめっき
接触部 Au フラッシュめっき
半田付け部 すずめっき
リテンションレグ：すずめっき

- ① MATERIAL HOUSING : THERMOPLASTIC RESIN, UL94V-0
COLOR ; BLACK
CONTACT : COPPER ALLOY
RETENTION LEG : COPPER ALLOY
- ② FINISH CONTACT : Ni ALL OVER UNDER PL
Pd-Ni PL. AT CONTACT AREA
Au FLASH PL. AT CONTACT AREA
TIN PL. AT LEAD AREA
RETENTION LEG : TIN PL.

③ OBSOLETE PARTS: OBSOLETE CIS STREAMLINING PER D.RENAUD/D.SINISI



THIS DRAWING IS A CONTROLLED DOCUMENT.		DWN T.KATANO 08OCT04	Tyco Electronics AMP K.K. Kawasaki, Japan	
DIMENSIONS: 単位： 耗 mm		CHK T.KIMURA 08OCT04	NAME 名称	
TOLERANCES UNLESS OTHERWISE SPECIFIED: 一般公差		APVD K.IKEGAMI 08OCT04	PLUG ASSEMBLY	
0 PLC ± 0.2		PRODUCT SPEC 製品規格 108-78211	2.5mm PITCH BATTERY CONNECTOR	
1 PLC ± 0.2		APPLICATION SPEC 取付適用規格	5POS. OFF SET TYPE (T2)	
2 PLC ± 0.2		WEIGHT	SIZE A3	CAGE CODE 00779
3 PLC ± 0.2		FINISH 仕上	DRAWING NO 番号 G-6318792	
4 PLC ± 0.2			RESTRICTED TO	
ANGLES ± 0.3°		CUSTOMER DRAWING		SCALE 尺度 2:1
MATERIAL 材料		SHEET 1 OF 1		REV 01

单击下面可查看定价，库存，交付和生命周期等信息

[>>TE Connectivity\(泰科\)](#)