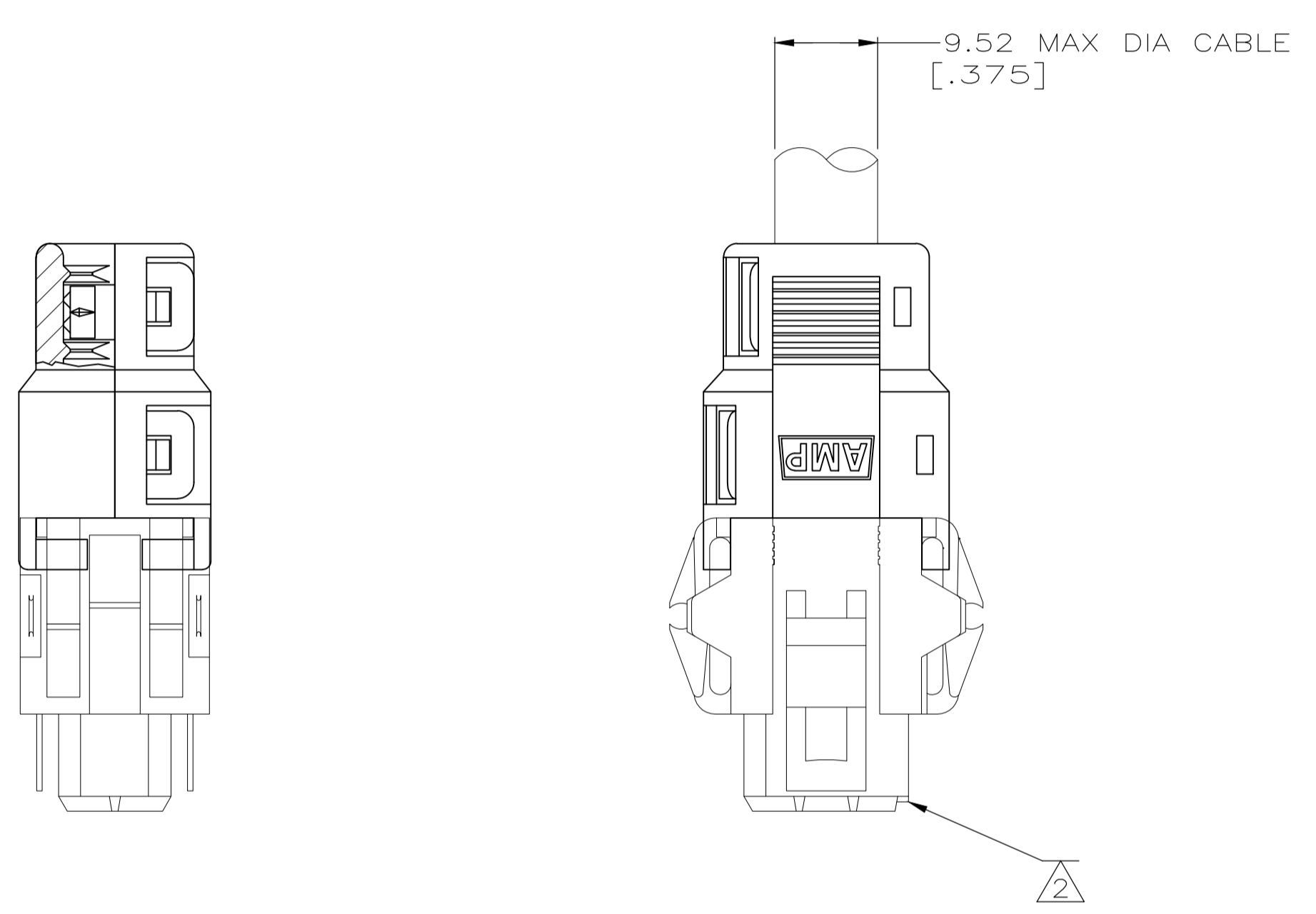
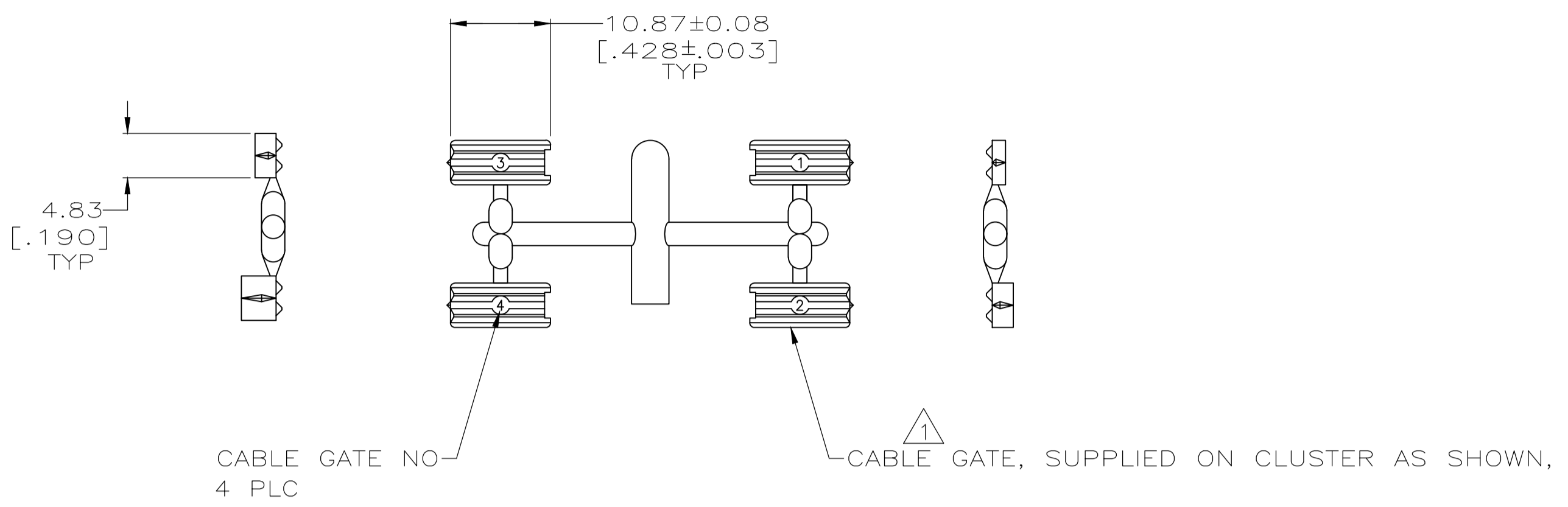
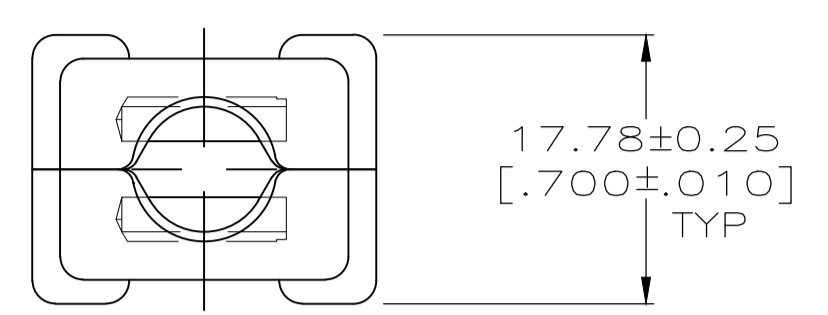
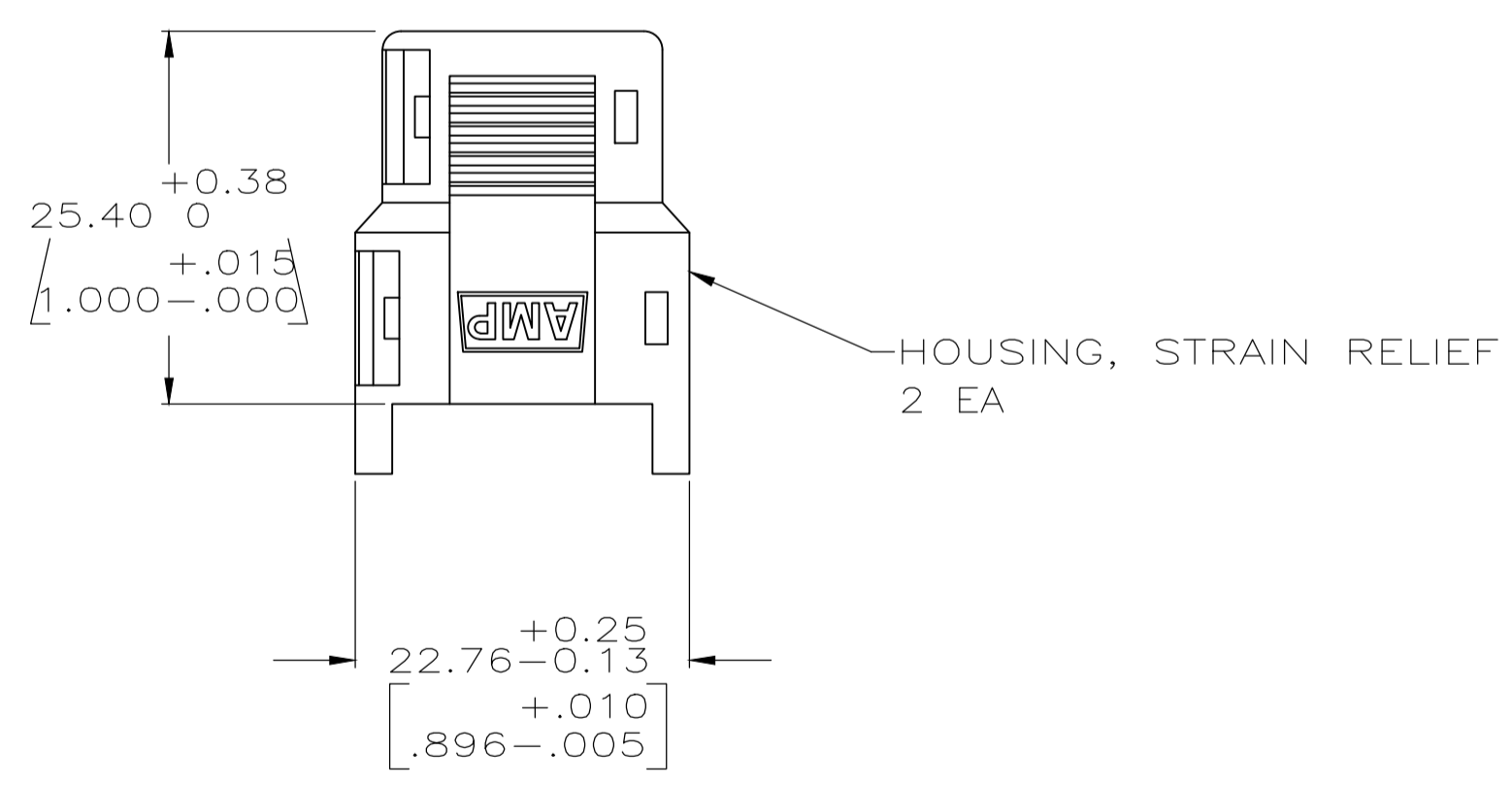
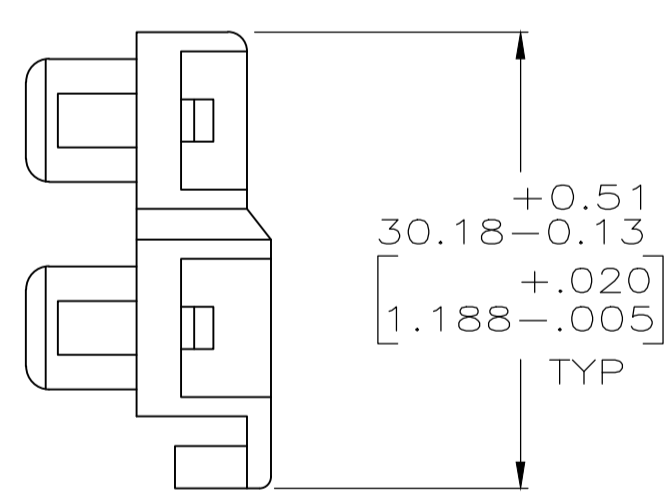
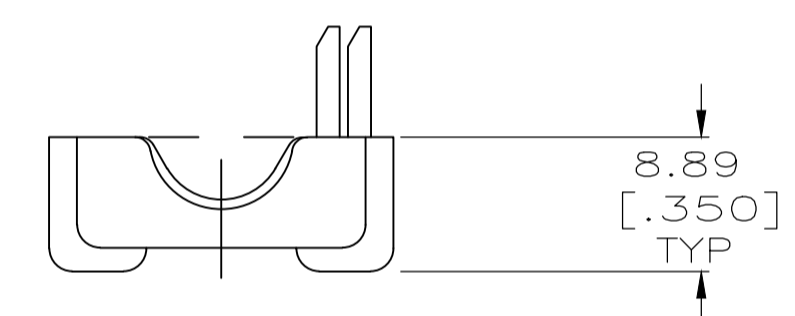


REVISIONS					
P	LYR	DESCRIPTION	DATE	OWN	APVD
G		REVISED PER ECO-20-002047	20FEB2020	RK	MZ



ASSEMBLED VIEW



- ⚠ A VARIETY OF CABLE GATES ARE PROVIDED TO ACCOMMODATE A VARIETY OF CUSTOMER CABLE SIZES.
- ⚠ PLUG SHOWN FOR REFERENCE ONLY. STRAIN RELIEF CAN BE USED ON EITHER PLUG OR RECEPTACLE.
- ⚠ HOUSING MATERIAL: PA66, BLACK, UL 94 V-0 RATED.

207600-1
PART NUMBER

THIS DRAWING IS A CONTROLLED DOCUMENT.		DIN J McCLINTON 1-26-92		R STONE 1-29-92		TE Connectivity																			
DIMENSIONS: INCHES		TOLERANCES UNLESS OTHERWISE SPECIFIED:		PRODUCT SPEC		NAME																			
<table border="1"> <tr><td>0. PLC</td><td>±</td><td>-</td></tr> <tr><td>1. PLC</td><td>±</td><td>-</td></tr> <tr><td>2. PLC</td><td>±</td><td>0.13[.005]</td></tr> <tr><td>3. PLC</td><td>±</td><td>-</td></tr> <tr><td>4. PLC</td><td>±</td><td>-</td></tr> <tr><td>ANGLES</td><td>±</td><td>-</td></tr> </table>		0. PLC	±	-	1. PLC	±	-	2. PLC	±	0.13[.005]	3. PLC	±	-	4. PLC	±	-	ANGLES	±	-	APPLICATION SPEC		108-10033		STRAIN RELIEF KIT, UNASSEMBLED, 6 POSITION, METRIMATE	
0. PLC	±	-																							
1. PLC	±	-																							
2. PLC	±	0.13[.005]																							
3. PLC	±	-																							
4. PLC	±	-																							
ANGLES	±	-																							
MATERIAL		FINISH		WEIGHT		RESTRICTED TO																			
⚠		-		A1 00779 C=207600		-																			
CUSTOMER DRAWING				SCALE 2:1		SHEET 1 OF 1 REV G																			

单击下面可查看定价，库存，交付和生命周期等信息

[>>TE Connectivity\(泰科\)](#)