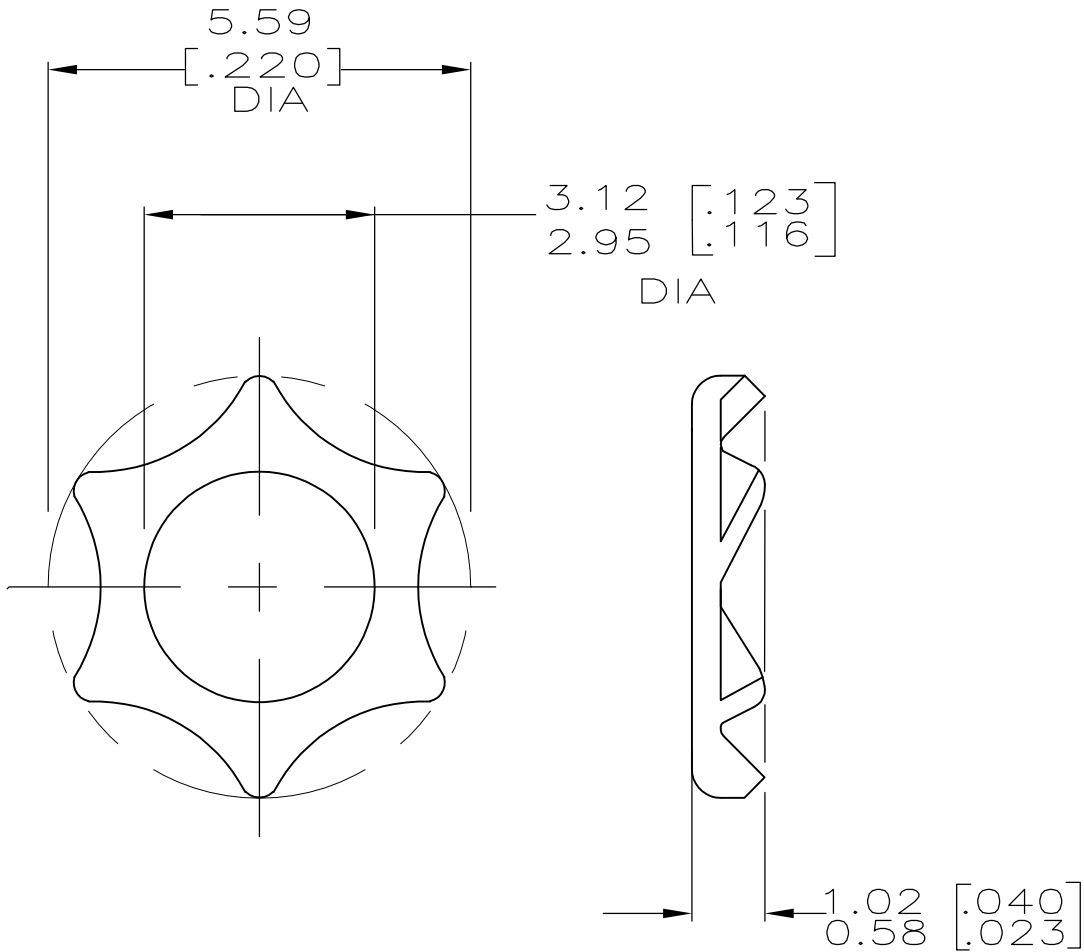


LOC	DIST	REVISIONS					
BD	39	P	LTR	DESCRIPTION	DATE	DWN	APVD
		C1		REVISED EPR ECO-11-001363	21JAN11	HMR	MG

1 ACTUAL CONFIGURATION OF WASHER MAY VARY

2 STAINLESS STEEL PER QQ-S-766



RELEASED FOR PUBLICATION

ALL INTERNATIONAL RIGHTS RESERVED.

BY TYCO ELECTRONICS CORPORATION.

© COPYRIGHT

200503-1

PART NO

DIMENSIONS: mm [INCHES]	DWN R.SHIREY	07/24/90	MATERIAL	2	FINISH	PASSIVATED						
	CHK R.STONE	8-14-90	Tyco Electronics Corporation Harrisburg, PA 17105-3608									
TOLERANCES UNLESS OTHERWISE SPECIFIED:	APVD A.BOULLIANNE	8-14-90	NAME LOCK WASHER, EXTERNAL, NARROW-RIM, M SERIES									
	PRODUCT SPEC	-	SIZE	A4	CAGE CODE	00779	DRAWING NO	C-200503	RESTRICTED TO	-		
0 PLC ± -	APPLICATION SPEC	-	WEIGHT	-	CUSTOMER DRAWING		SCALE	10:1	SHEET	1 OF 1	REV	C1
1 PLC ± -												
2 PLC ± 0.13 [.005]												
3 PLC ± -												
4 PLC ± -												
ANGLES ± -												

单击下面可查看定价，库存，交付和生命周期等信息

[>>TE Connectivity\(泰科\)](#)