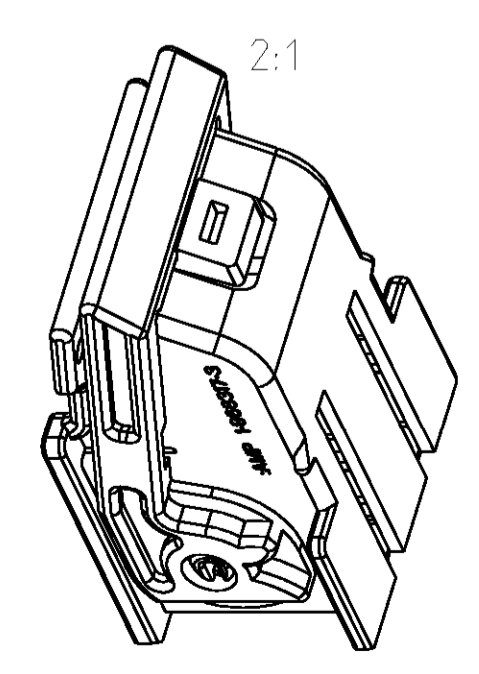
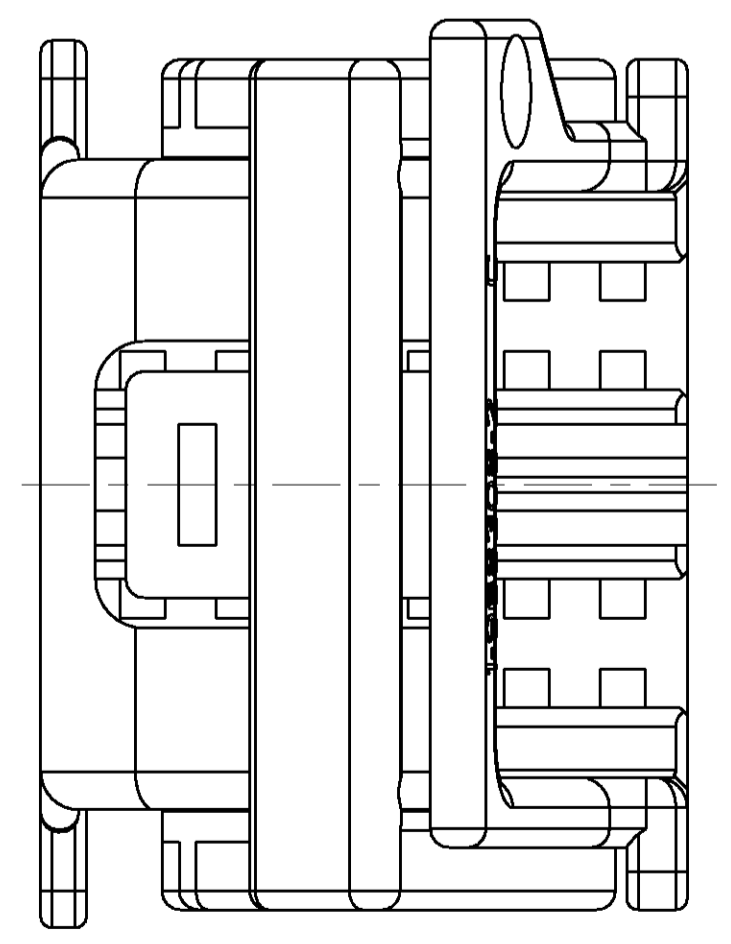
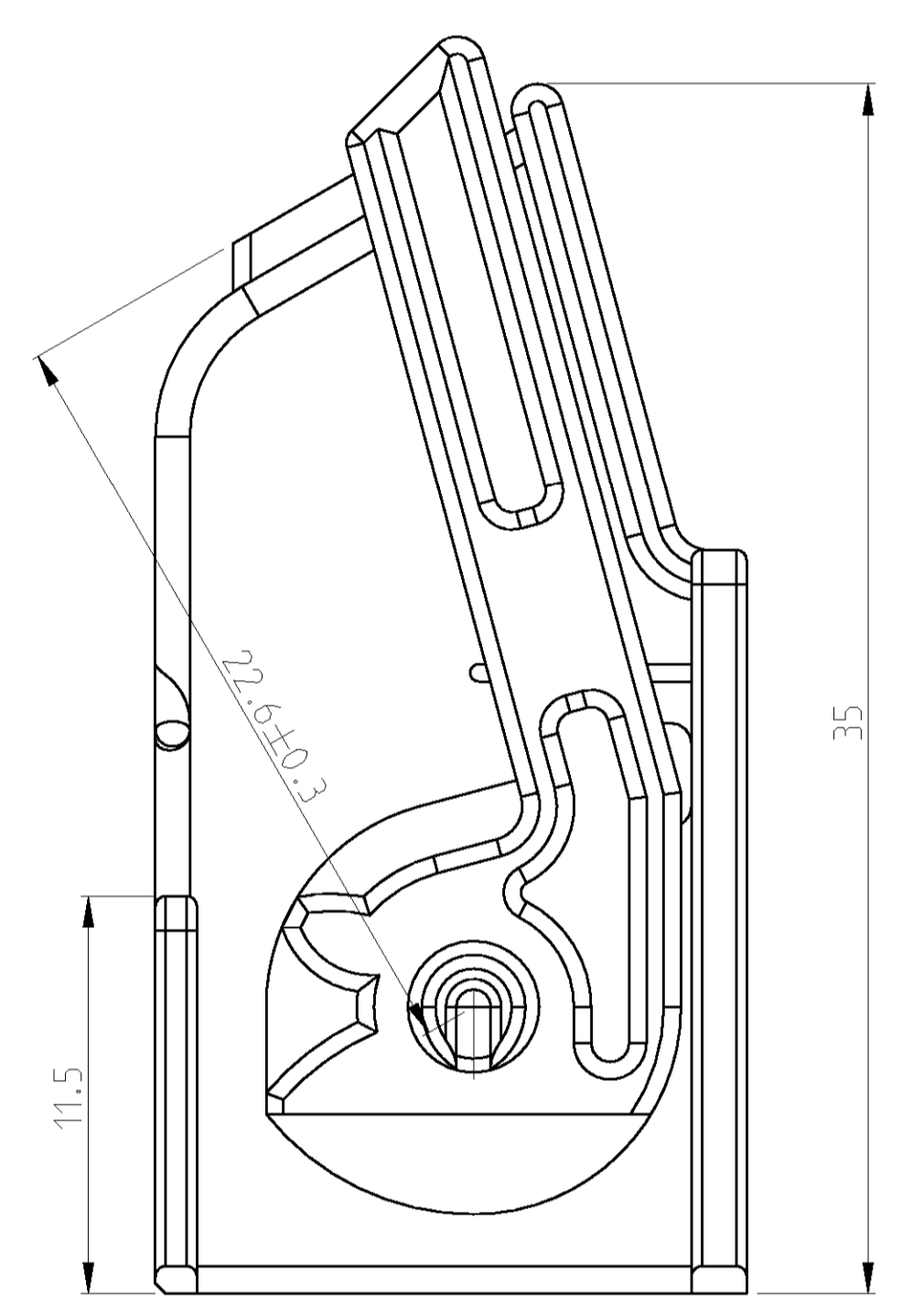
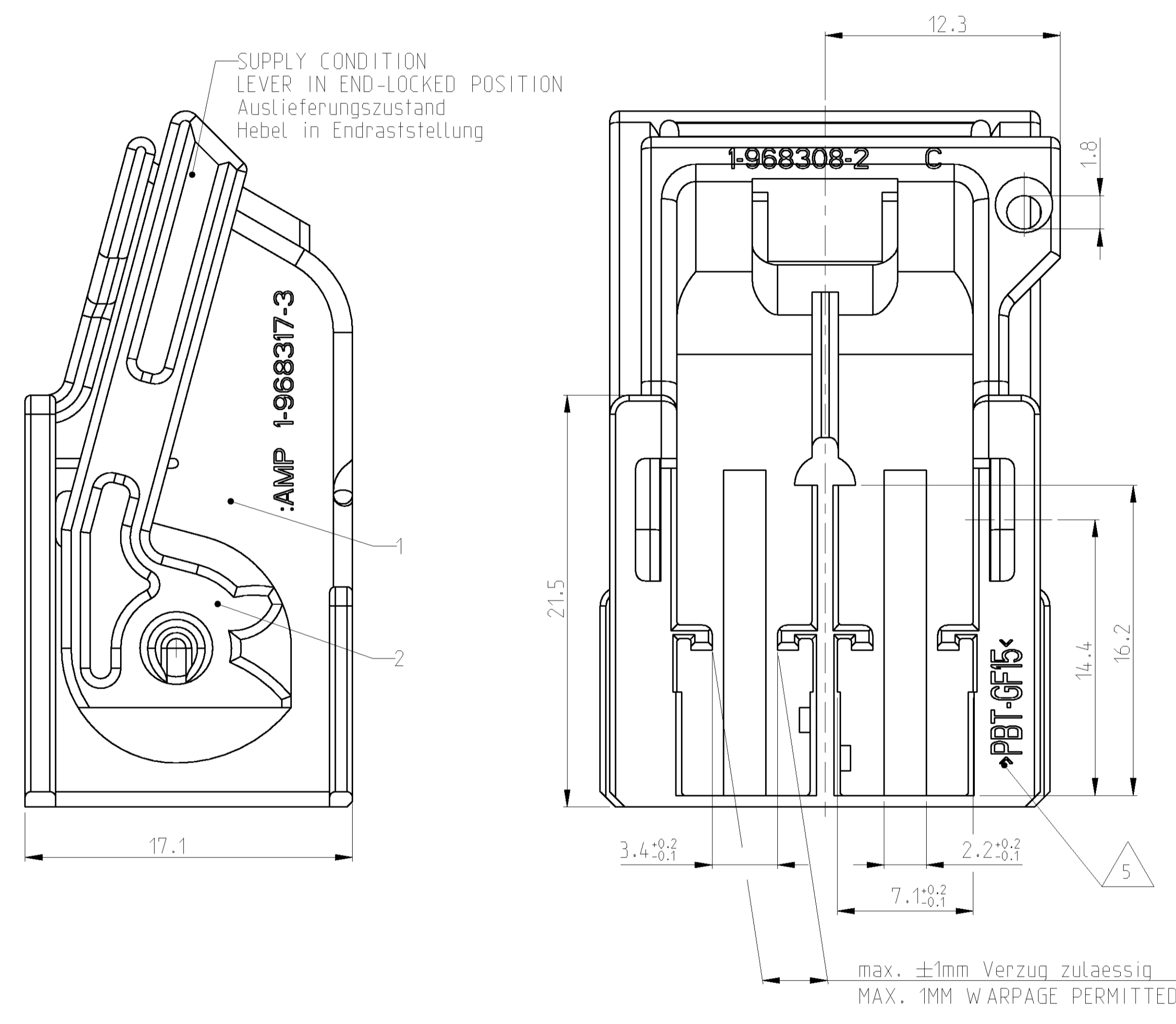
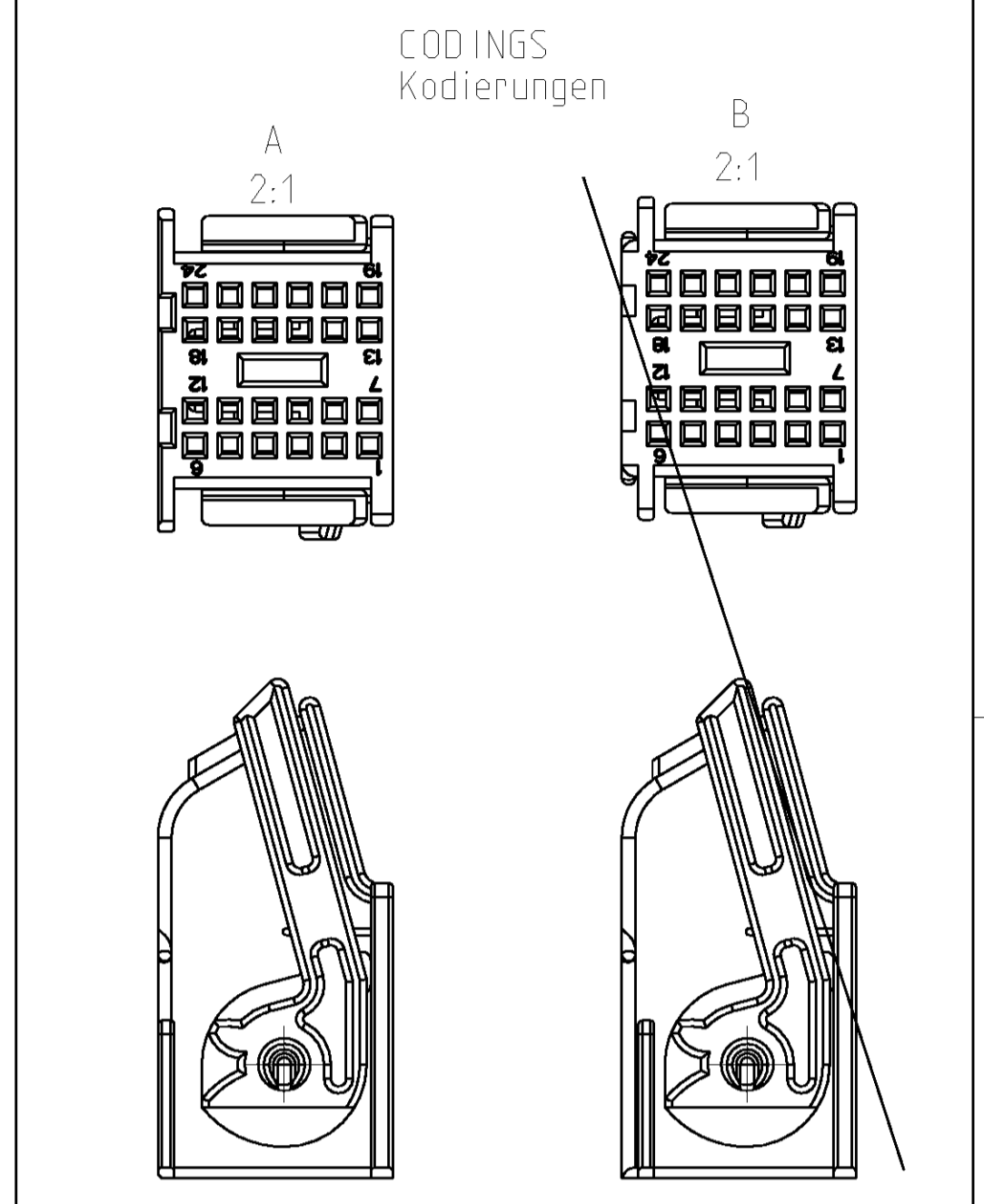
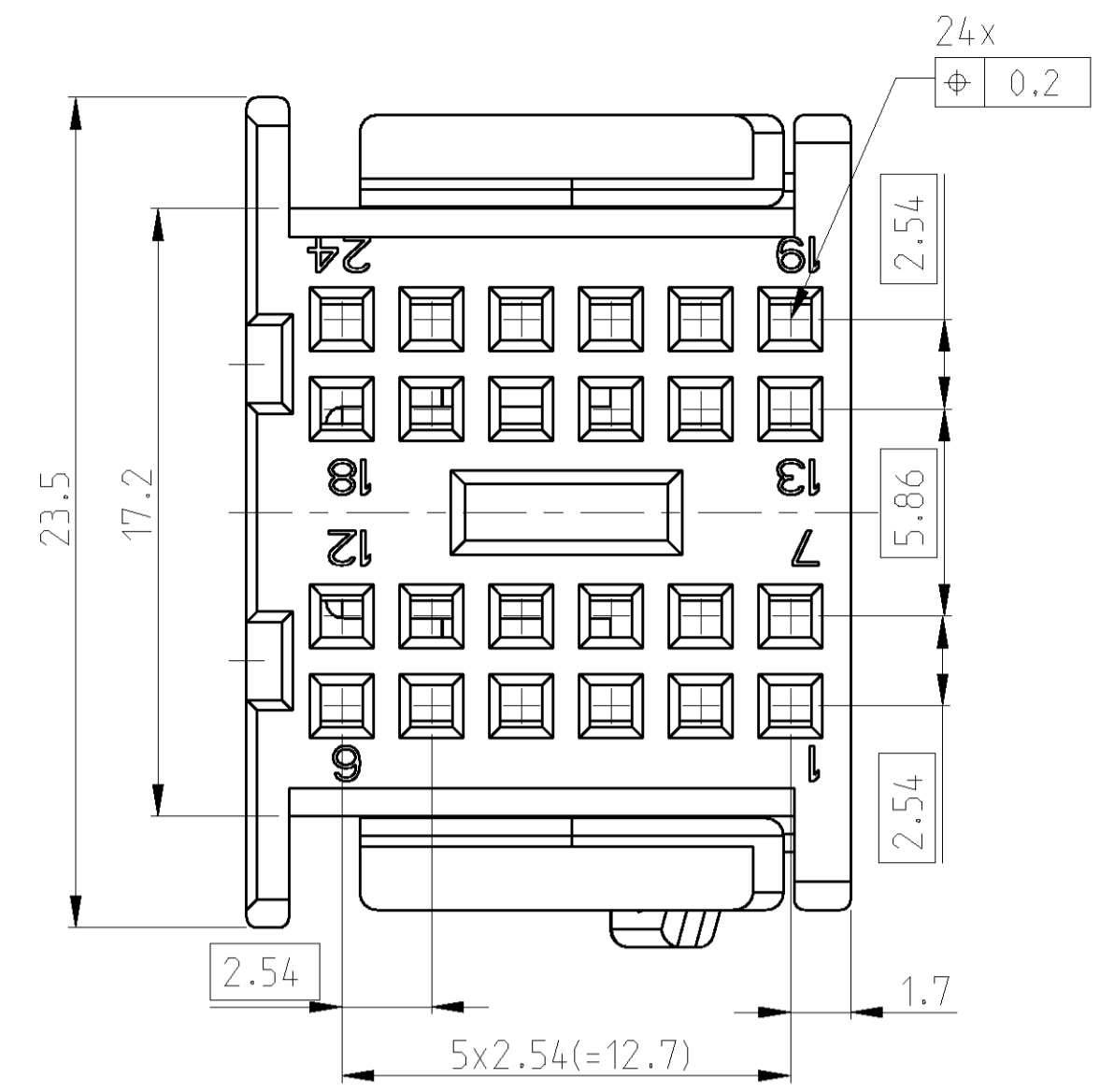


LOC	DIST	REV	DATE	BY	APPV
A1	-	B	11APR2000	SBL	-
		B1	29MAY2000	SBL	-
		C	29MAY2001	MMO	-
		D	16APR2002	SBL	-



REV	QTY	MATERIAL	DESCRIPTION	ITEM NO
A	1	PBT-GF30	LEVER Hebel	2
	1	PBT-GF15H	SHIELD Abdeckkappe	1

TYCO ELECTRONICS CORPORATION
 1000 EAST 17TH AVENUE
 DENVER, CO 80202

DATE: 10APR2000
 DRAWING NO: 1-968317-3
 SCALE: 5:1

AMP
 Tyco Electronics AMP GmbH
 D - 64625 Bensheim

PRODUCT SPEC
 PRODUCT SPEC: 108-18400
 APPLICATION SPEC: 108-18400

WEIGHT
 BEWICHT: 5g

CUSTOMER DRAWING
 /KUNDENZEICHNUNG

RESTRICTED TO
 NUR FÜR:

单击下面可查看定价，库存，交付和生命周期等信息

[>>TE Connectivity\(泰科\)](#)