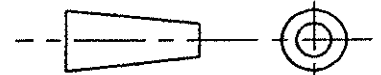
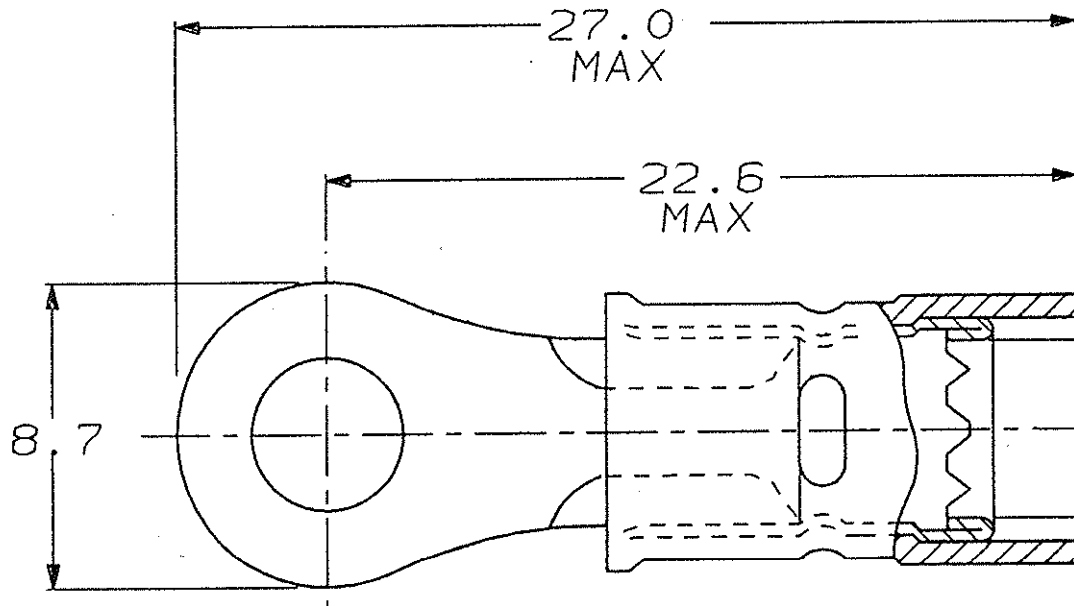


DO NOT SCALE

DIMENSIONS IN MM.



C.A.D. FILE CODE
5. C342061.2



1 WIRE INSUL DIA 3.81-6.35
2 TONGUE MAT'L THICKNESS 1.07 MAX

B

A

CUSTOMER DWG
FOR REFERENCE ONLY

THIS INFORMATION IS CONFIDENTIAL AND IS DISCLOSED TO YOU ON CONDITION THAT NO FURTHER DISCLOSURE IS MADE BY YOU TO OTHER THAN AMP PERSONNEL WITHOUT WRITTEN AUTHORIZATION FROM AMP OF GREAT BRITAIN LTD.

-	-	-	----	-
-	-	-	----	-
-	-	-	----	-
-	-	-	----	-
A	dr/tm	CG3A-0002-04	3/04	
2	B. WILSON	EB00-0014-95	17/01/95	
REV	APPROVED	CHANGE No.	DATE	

TOLERANCES
UNLESS OTHERWISE
STATED
DEC ± 0.5
ANGLES ± 1°

DR. C. NIKER	17/01/95
CH. B. WILSON	APP. B. WILSON
AMP of Great Britain Ltd.	
TERMINAL HOUSE STANMORE MIDD.	

NAME				16-14 HD PIDG R/T 4mm STUD NYLON INSULATION BLACK EXP.			
SCALE	LOC	SIZE	DWG. No.	REV	SHEET		
NTS	E	A 4	C342061	A	1/1		

单击下面可查看定价，库存，交付和生命周期等信息

[>>TE Connectivity\(泰科\)](#)