

4

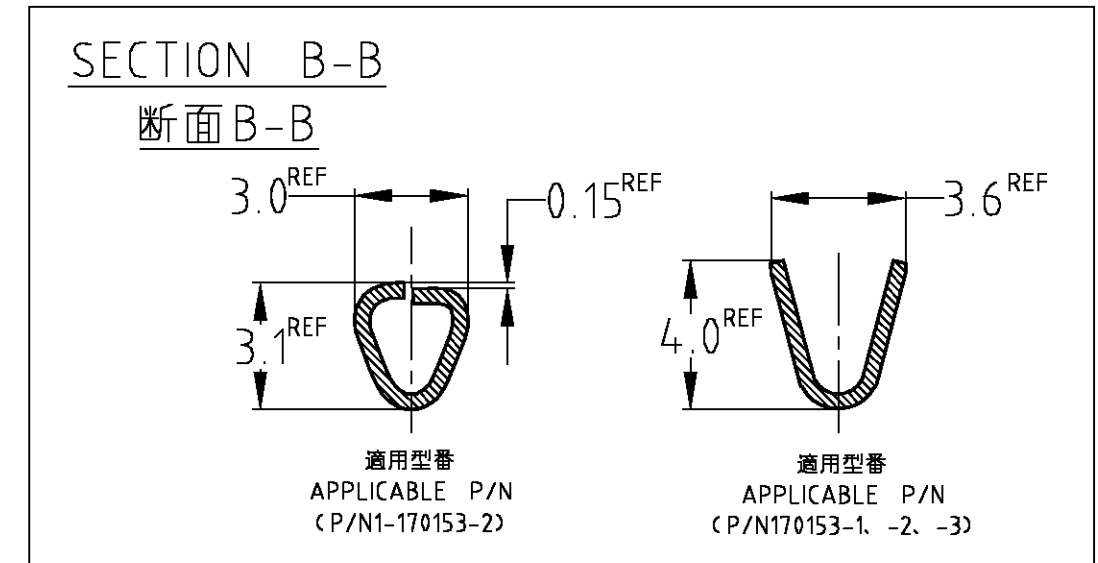
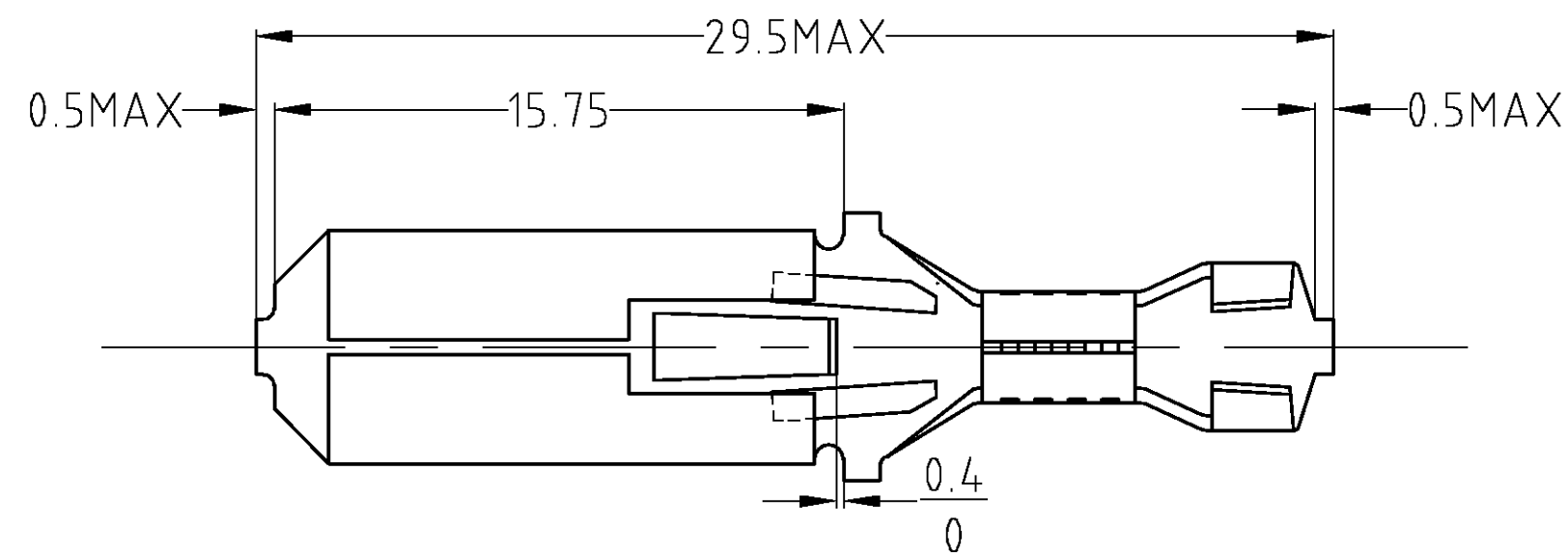
3

2

1

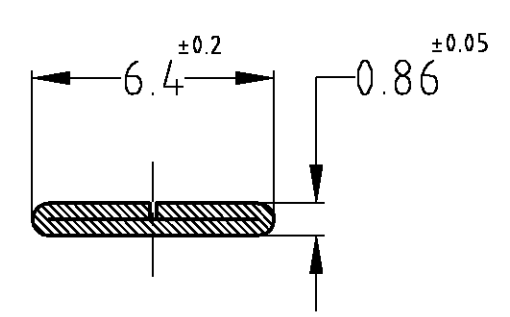
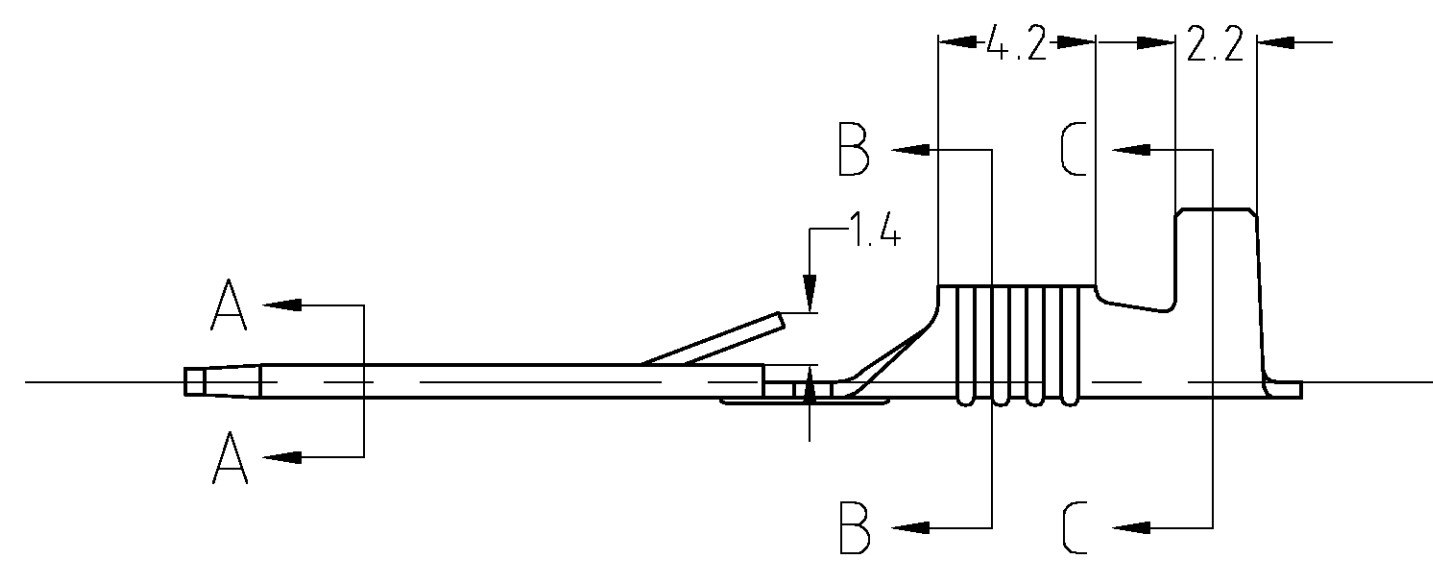
THIS DRAWING IS UNPUBLISHED. RELEASED FOR PUBLICATION
 © COPYRIGHT - ALL RIGHTS RESERVED.

LOC	DIST	REVISIONS					
		P	LTR	DESCRIPTION	DATE	DWN	APVD
J	-	C2		REVISED PER ECR-21-111759	14SEP21	SS	EW

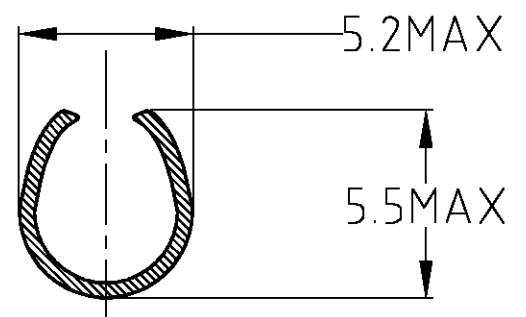


- 注)
 1. 適用電線: AWG18 - AWG14 (0.75~2.27)
 2. 適用被覆外径: φ3.1~4.1MM

- NOTE)
 1. APPLICABLE WIRE SIZE
 : AWG18 - AWG14 (0.75~2.27)
 2. APPLICABLE WIRE INSULATION
 : φ3.1~4.1MM



SECTION A-A
断面A-A



SECTION C-C
断面C-C

OBSOLETE	FINISH	MATERIAL	STRIP CONTACT P/N	L.P CONTACT P/N
錫めっき TIN-PLATE	黄銅 0.41t BRASS 0.41t	170151-3	170153-3	
錫めっき済み黄銅 0.41t PRE-TIN BRASS 0.41t	黄銅 0.41t BRASS 0.41t	170151-2	170153-2	
仕上げ FINISH	材料 MATERIAL	170151-1	170153-1	

THIS DRAWING IS A CONTROLLED DOCUMENT.

DWN J.HOSHIBA	02OCT'06	STE TE Connectivity
CHK N.YAMASAKI	16FEB'07	
APVD N.YAMASAKI	16FEB'07	NAME 名称
PRODUCT SPEC 製品規格 108-5048		250 SERIES FASTIN FASTON TAB(L.P)
APPLICATION SPEC 取付適用規格		SIZE A3
MATERIAL 材料 SEE TABLE	FINISH 仕上 SEE TABLE	CAGE CODE 00779
		DRAWING NO 番号 C-170153
		RESTRICTED TO —
		WEIGHT —
		SCALE 尺度 5:1
		SHEET 1 OF 1
		REV C2

CUSTOMER DRAWING

单击下面可查看定价，库存，交付和生命周期等信息

[>>TE Connectivity\(泰科\)](#)