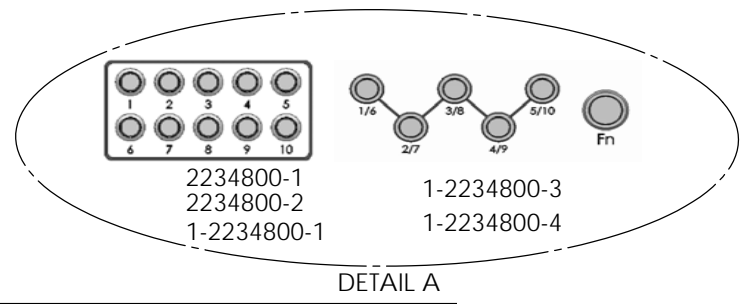
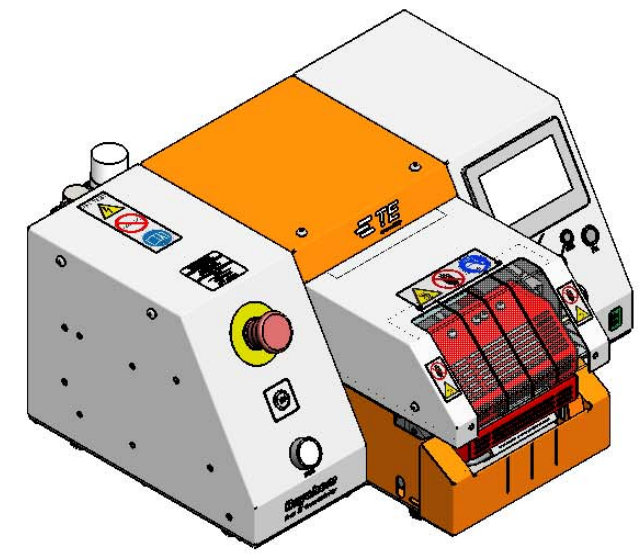
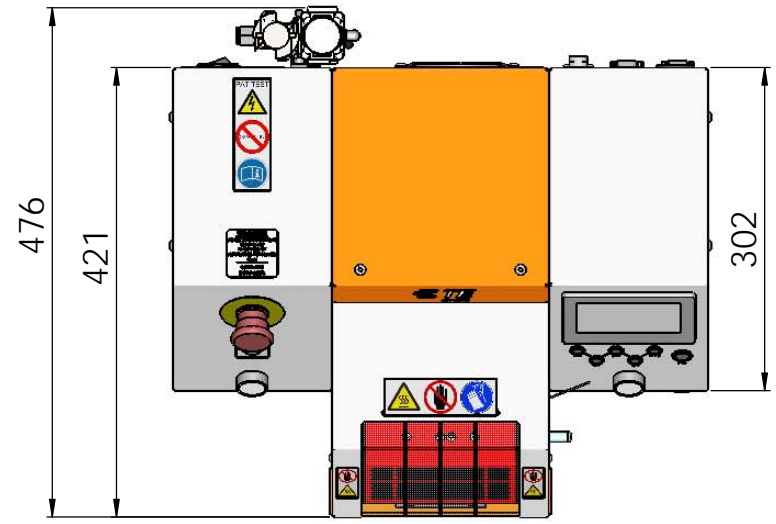
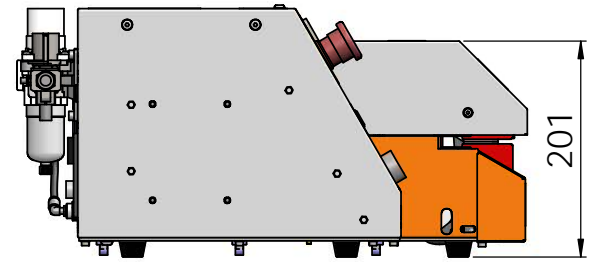
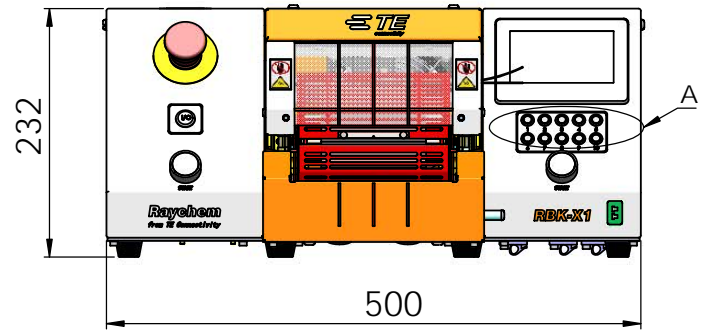


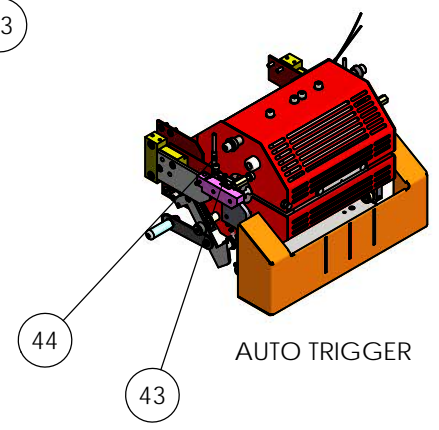
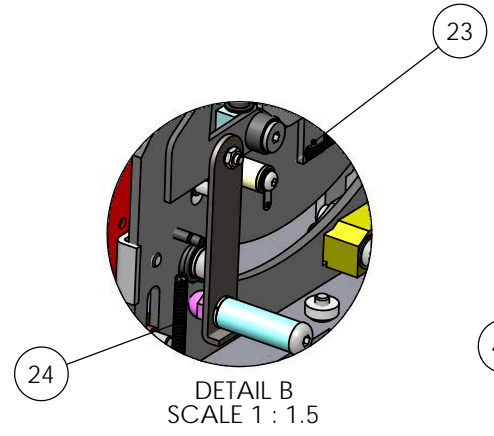
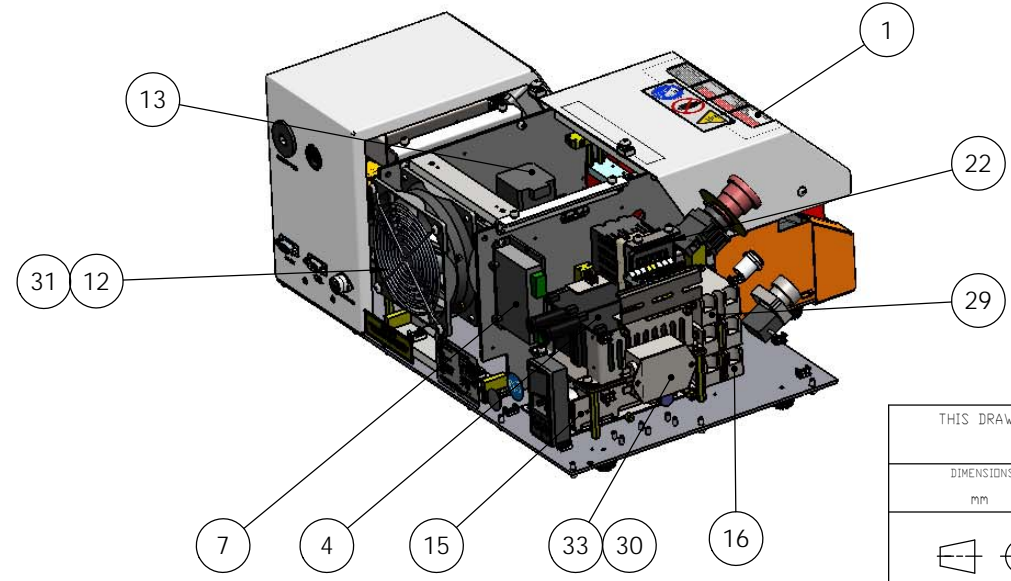
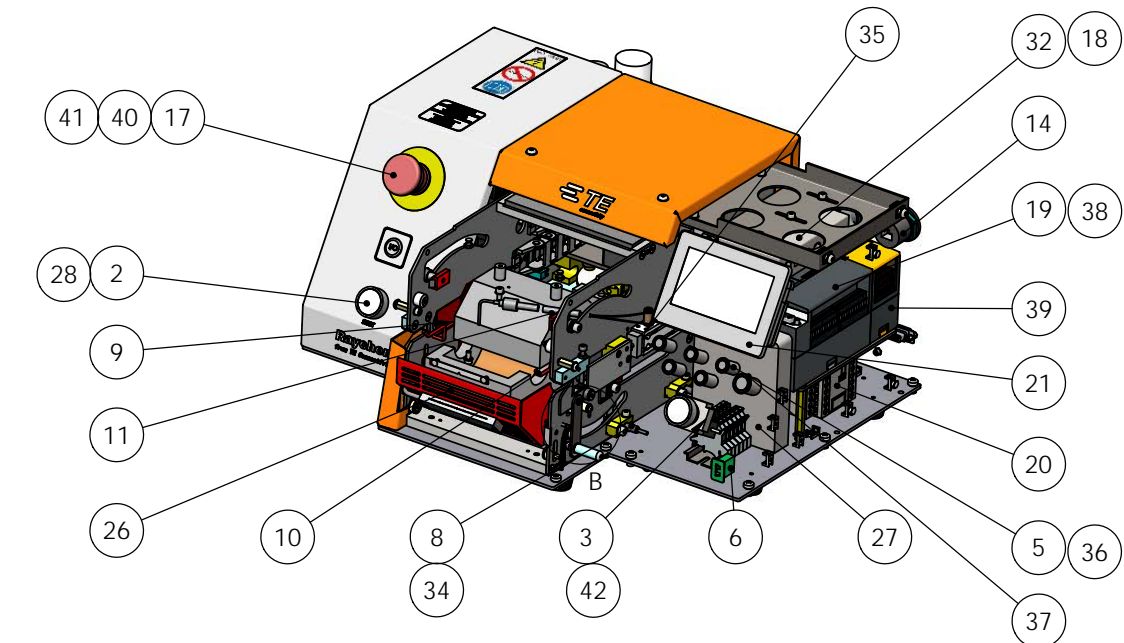
PART NUMBER	REV	FIRST USED	TYPE
2234800-1	A	-	STANDARD
2234800-2	A	-	CE VERSION
1-2234800-1	A	-	AUTO TRIGGER
1-2234800-3	A	-	STANDARD W/ AC
1-2234800-4	A	-	CE VERSION W/ AC


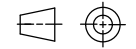
REVISIONS				
P	LTR	DESCRIPTION	DATE	APVD
A		INITIAL RELEASE	14AUG19	CZ
B		ECR-23-194118	11NOV20	RRD

1. RECOMMENDED SPARE PARTS:
2. IDENTIFY PART PER TEC-115-67-8.
3. TORQUE RECOMMENDATIONS PER 101-35000 UNLESS OTHERWISE SPECIFIED.
4. ALL DIMENSIONS ARE REFERENCE DIMENSIONS.



THIS DRAWING IS A CONTROLLED DOCUMENT.		DWN	C.ZHU	15MAY23	 TE Connectivity	NAME	RBK-X1 HEAT SHRINK MACHINE							
DIMENSIONS: mm		CHK	C.ZHU	15MAY23			PRODUCT SPEC	SIZE	CAGE CODE	DRAWING NO	RESTRICTED TO			
TOLERANCES UNLESS OTHERWISE SPECIFIED:		APVD	C.ZHU	15MAY23								SEE FIRST USED		
		APPLICATION SPEC		-		SCALE		15	SHEET	1	OF	4	REV	A5
MATERIAL		FINISH		WEIGHT		CUSTOMER DRAWING		A3		C=2234800				



THIS DRAWING IS A CONTROLLED DOCUMENT.		DWN	C.ZHU	15MAY23	 TE Connectivity
DIMENSIONS: mm		CHK	C.ZHU	15MAY23	
		APVD	C.ZHU	15MAY23	
TOLERANCES UNLESS OTHERWISE SPECIFIED:		PRODUCT SPEC		NAME	
0 PLC =		SEE FIRST USED		RBK-X1 HEAT SHRINK MACHINE	
1 PLC =		APPLICATION SPEC		SIZE	RESTRICTED TO
2 PLC =		-		A3	
3 PLC =		WEIGHT		DRAWING NO	
4 PLC =		-		C=2234800	
ANGLES		-		SCALE	
FINISH		-		1:5	
-		-		SHEET	
-		-		2	
		CUSTOMER DRAWING		OF	
				4	
				REV	
				A5	

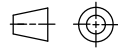
## SPARE PARTS LIST

ITEM NO	-1	-2	-11	-13	-14	TE/PN	DESCRIPTION
1	1	1	1	1	1	2234897-1	VIEW WINDOW
2	2	-	2	2	-	2234980-1	START BUTTON(GREEN)
3	2	-	2	2	-	2234984-1	CONTACT BASE, STD
4	2	2	2	2	2	2234971-1	STORAGE BATTERY
5	10	10	10	10	10	2234981-1	PROCESS SLECTION BUTTON
6	1	1	1	1	1	2234973-1	THERMOCOUPLE PANEL SOCKET
7	1	1	1	1	1	2234972-1	MOTOR DRIVER
8	2	-	2	2	-	2234988-1	PROXIMITY SENSOR,STD
9	1	1	1	1	1	2234840-1	EJECTOR BLADE LEFT,INTERNAL
10	1	1	1	1	1	2234840-2	EJECTOR BLADE RIGHT,INTERNAL
11	1	1	1	1	1	2234990-1	THERMOCOUPLE
12	1	-	1	1	-	2234963-1	COOLING FAN,220V
13	1	1	1	1	1	2234883-1	STEPPER MOTOR
14	1	1	1	1	1	2234887-1	PORT CONNECTOR
15	1	1	1	1	1	2234970-1	24V POWER SUPPLIER
16	1	1	1	1	1	2234969-1	SOLID STATE RELAY,STD
17	1	1	1	1	1	2234983-1	EMERGENCY STOP BUTTON HEAD
18	1	-	1	1	-	2234985-1	SWITCH,TP-LINK
19	1	1	1	1	1	2234964-1	CPU MODULE,PROGRAMMED
20	1	1	1	1	1	2234967-1	SAFETY REPLY
21	1	1	1	1	1	2234977-1	HUMAN MACHINE INTEFACE
22	1	1	1	1	1	2234968-1	THERMOSTAT
23	2	2	2	2	2	2234868-1	TANTION SPRING,SOLDER SHEET
24	2	2	2	2	2	2234869-1	TANTION SPRING,HEATING ELEMENTS MOUDLE
25	1	1	1	1	1	2234978-1	POWER SWITCH
26	1	1	1	1	1	2234991-1	HEATING ELEMENTS MOUDLE
27	-	1	-	-	1	2234967-2	TWO HANDED MOUDLE(FOR CE VERSION)
28	-	2	-	-	2	2234980-2	START BUTTON,CYCLE START PUSH BUTTON(WHITE)
29	1	2	1	1	2	2234969-2	SOLID STATE RELAY,CE
30	1	-	1	1	-	2234995-1	FILTER FUSE TERMINAL
31	-	1	-	-	1	2234963-2	COOLING FAN,24V
32	-	1	-	-	1	2234985-2	SWITCH,KORENIX
33	-	1	-	-	1	2234995-2	WAVE FILTER
34	-	2	-	-	2	2234988-2	PROXIMITY SENSOR,CE

THIS DRAWING IS A CONTROLLED DOCUMENT.		DWN	C.ZHU	15MAY23	<b>STE</b> TE Connectivity					
DIMENSIONS: mm		CHK	C.ZHU	15MAY23						
TOLERANCES UNLESS OTHERWISE SPECIFIED:		APVD	C.ZHU	15MAY23						
	0 PLC =	SEE FIRST USED		NAME	RBK-X1 HEAT SHRINK MACHINE					
	1 PLC =	APPLICATION SPEC		SIZE		CAGE CODE				
MATERIAL	FINISH	WEIGHT	DRAWING NO		RESTRICTED TO					
-	-	-	A3		C=2234800					
CUSTOMER DRAWING			SCALE	1:5	SHEET	3	OF	4	REV	A5

### SPARE PARTS LIST

ITEM NO	-1	-2	-11	-13	-14	TE/PN	DESCRIPTION
35	-	-	-	2	2	9-2369604-8	CYLINDER,PUSHING UNIT
36	-	-	-	5	5	1-2234981-1	PROCESS SLECTION BUTTON
37	-	-	-	1	1	1-2234981-2	FUNCTION SWITCH BUTTON
38	1	1	1	1	1	2234965-1	COMMUNICATION MODULE
39	1	1	1	1	1	2234966-1	ANALOG INPUT MODULE
40	1	1	1	1	1	2234983-2	EMERGENCY STOP BUTTON LABEL
41	1	1	1	1	1	2234983-3	EMERGENCY STOP BUTTON BASE
42	-	2	-	-	2	2234984-2	CONTACT BASE, CE
43	-	-	2	-	-	9-2369602-2	SPRING
44	-	-	2	-	-	2-2369604-5	SENSOR,CENTER OF TUBE

THIS DRAWING IS A CONTROLLED DOCUMENT.		DWN	C.ZHU	15MAY23	<b>STE</b> TE Connectivity										
DIMENSIONS: mm		CHK	C.ZHU	15MAY23											
		TOLERANCES UNLESS OTHERWISE SPECIFIED:		APVD	C.ZHU	15MAY23	NAME								
		0 PLC =	1 PLC =	2 PLC =	3 PLC =	4 PLC =	ANGLES =	FINISH =	PRODUCT SPEC <b>SEE FIRST USED</b>	RBK-X1 HEAT SHRINK MACHINE					
MATERIAL	-	FINISH	-	WEIGHT	-	SIZE	A3	CAGE CODE	DRAWING NO		RESTRICTED TO				
	-		-		-				C=2234800						
CUSTOMER DRAWING								SCALE	1:5	SHEET	4	OF	4	REV	A5

单击下面可查看定价，库存，交付和生命周期等信息

[>>TE Connectivity\(泰科\)](#)