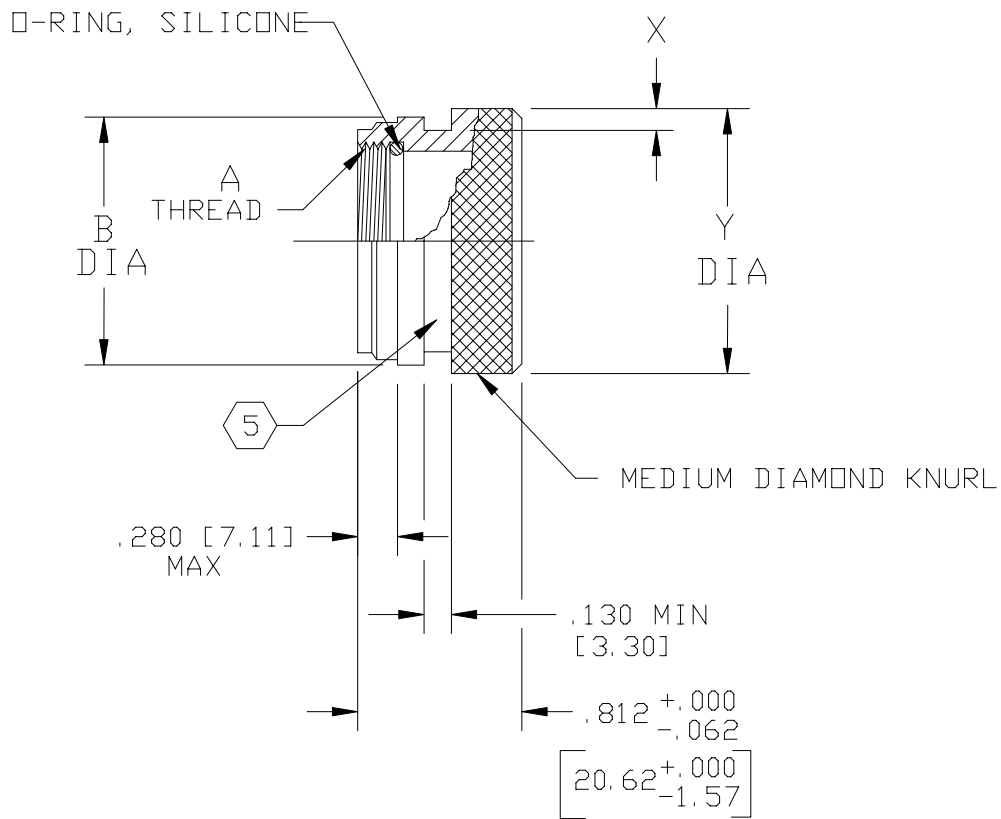


REVISIONS			
LTR	DESCRIPTION	DATE	APPROVED
K	REVISED PER ECN AD93072		



NOTES:

- THIS PRODUCT IS DESIGNED TO TERMINATE A HEAT SHRINKABLE LIPPED BOOT TO A CONNECTOR.
- FOR ADDITIONAL DIMENSIONS, ORDERING INFORMATION AND MODIFICATIONS, SEE CH00-0250-
- ADAPTER TO BE PERMANENTLY MARKED WITH CODE IDENT. NO. AND PART NO. (E.G.: 06090-202M310-19B).
- ADAPTER MATES TO MIL-C-81511, SERIES 1, 2, 3 AND 4 CONNECTORS.
- KNURL INSIDE BOOT GROOVE MAY BE SUPPLIED AT MANUFACTURER'S OPTION.

If this document is printed it becomes uncontrolled.
Check for the latest revision.

SPECIFICATION CONTROL DRAWING

UNLESS OTHERWISE SPECIFIED DIMENSIONS ARE IN INCHES. METRIC DIMENSIONS ARE IN BRACKETS. DECIMALS .XXX ± — [mm] .XX ± — [mm] .X ± — [mm] ANGLES .X ± —	DRAWN E. GOLDY	DATE 07-22-93		Tyco Electronics Corporation 300 Constitution Drive Menlo Park, CA. 94025 U.S.A.		
	CHECKED	DATE				
	APPROVED	DATE	TITLE	ADAPTER, SOLID CODE 61		
	APPROVED	DATE				
CAD NAME \ACAD12\202M3XX		SIZE A	CODE IDENT. NO. 06090	DWG. NO. 202M3XX	REV K	
THIRD ANGLE PROJECTION		Downloaded From		SHEET 1 OF 2		

BASE PART NO.	SHELL SIZE		A THREAD CLASS 2B	B DIA MAX	X	Y
	COML	MIL			+ .008 - .000 [+0.20] [-0.00]	+ .000 - .045 [+0.00] [-1.15] DIA
202M308	8	A	.500-28 UNEF	.850 [21.59]	.044 [1.12]	.688 [17.48]
202M310	10	B	.625-28 UN	.975 [24.77]	.044 [1.12]	.803 [20.40]
202M314	14	D	.875-28 UN	1.225 [31.12]	.044 [1.12]	1.063 [27.00]
202M316	16	E	1.000-28 UN	1.350 [34.29]	.069 [1.75]	1.238 [31.45]
202M318	18	F	1.125-28 UN	1.475 [37.47]	.069 [1.75]	1.436 [36.47]
202M320	20	G	1.250-28 UN	1.624 [41.25]	.069 [1.75]	1.560 [39.62]
202M322	22	H	1.375-28 UN	1.749 [44.42]	.069 [1.75]	1.686 [42.82]
202M324	24	J	1.500-28 UN	1.874 [47.60]	.069 [1.75]	1.748 [44.40]

If this document is printed it becomes uncontrolled.
Check for the latest revision.

SIZE	CODE	IDENT. NO.	DWG. NO.	REV
A	06090		202M3XX	K
Downloaded From		Oneyac.com		
THIS DWG		CAD NAME \ACAD12\202M3X-2		SHEET 2 OF 2

单击下面可查看定价，库存，交付和生命周期等信息

[>>TE Connectivity\(泰科\)](#)