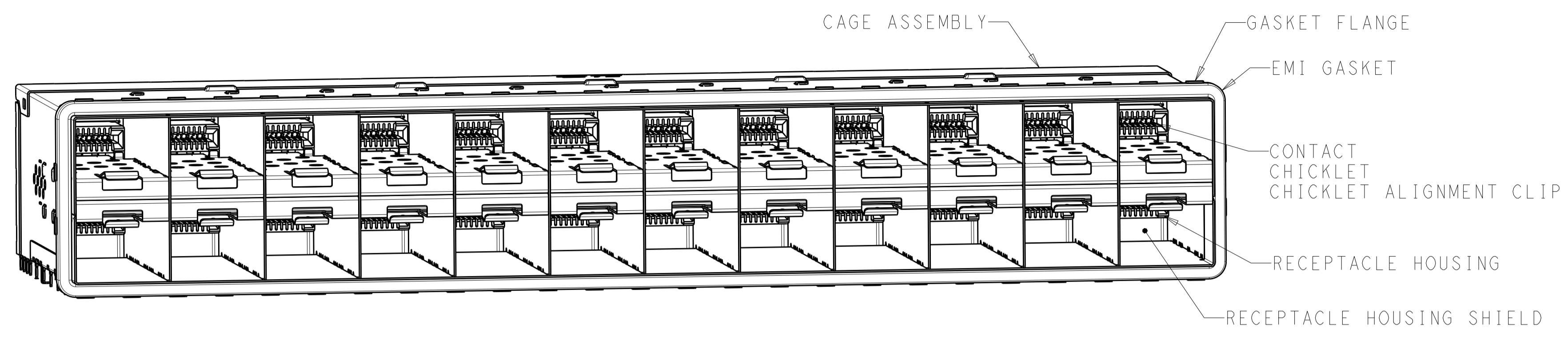
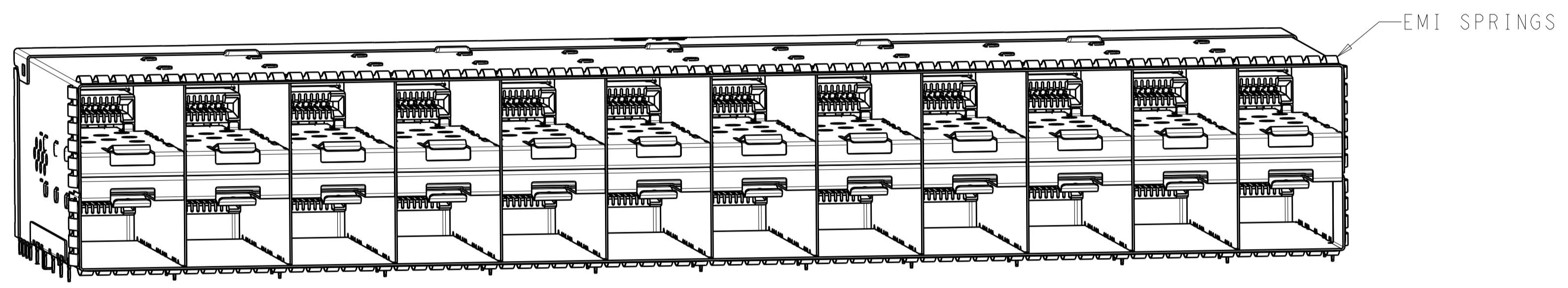


| LOC | DIST | REVISIONS | | | | | |
|-----|------|-----------|-----|-----------------|-----------|-----|------|
| GP | 00 | P | LTN | DESCRIPTION | DATE | DWN | APVD |
| | | 1 | | INITIAL RELEASE | 26JAN2015 | MS | PAR |
| | | A | | MASS PRODUCTION | 20DEC2015 | PP | SH |

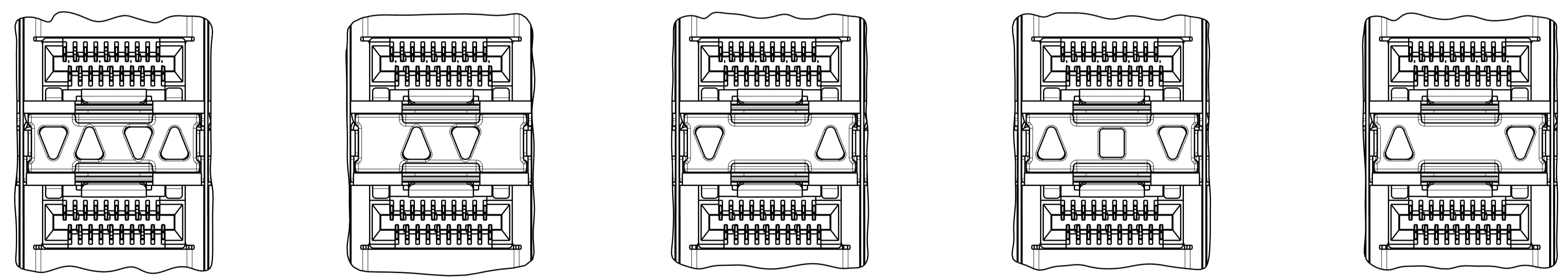


2288172-1



2288172-5

- MATERIALS:**
 CAGE ASSEMBLY - NICKEL-SILVER ALLOY PER ASTM B 122
 RECEPTACLE HOUSING - LCP, BLACK, UL 94V-0 RATED
 RECEPTACLE HOUSING SHIELD - COPPER ALLOY
 CHICKLET - LCP, BLACK, UL 94V-0 RATED
 CHICKLET ALIGNMENT CLIP - PBT
 CONTACT - COPPER ALLOY
 EMI GASKET - ELASTOMERIC
 GASKET FLANGE - STAINLESS STEEL
 LIGHT PIPE - POLYCARBONATE
 LIGHT PIPE HOUSING - ZINC ALLOY
 EMI SPRINGS - PHOSPHOR BRONZE PER ASTM B103
- CONTACT FINISH:**
 CONFORMS TO THE REQUIREMENTS OF TYCO ELECTRONICS
 PRODUCT SPECIFICATION 108-2481, BASED ON EIA/ECA-364-1000.01A,
 (CONTROLLED ENVIRONMENT APPLICATIONS) ON MATING INTERFACE,
 TIN ON NEEDLE EYE
- PCB MINIMUM THICKNESS = 1.5mm**
- FOR HOLE SIZE AND PLATINGS,
 SEE APPLICATION SPECIFICATION 114-13319
- LIGHT PIPE PAD LAYOUT IS FOR 0805 LOW PROFILE
 LED PACKAGE WITH A HEIGHT OF 0.8mm
- THE ENTIRE AREA OF THE CONNECTOR FOOTPRINT, INDICATED BY THE
 DASHED LINE, TO BE CONSIDERED THE KEEPOUT AREA FOR COMPONENTS
 AND SIGNAL TRACES, TOP SIDE ONLY, TOP SIDE TRACES ALLOWED
 WITHIN CONNECTOR HOLE PATTERN
- DIMENSION APPLIES FROM EMI SPRINGS ONLY.



INNER/OUTER LIGHT PIPE
 2288172-2, 2288172-6
 SCALE 4:1

INNER LIGHT PIPE
 2288172-3, 2288172-7
 SCALE 4:1

OUTER LIGHT PIPE
 2288172-4, 2288172-8
 SCALE 4:1

CENTER/REVERSED OUTER
 1-2288172-7, 1-2288172-9
 SCALE 4:1

REVERSED OUTER
 1-2288172-8, 2-2288172-0
 SCALE 4:1

| | | | |
|--------|-------------|--------------------------|-------------|
| 173.5 | EMI SPRINGS | REVERSED OUTER | 2-2288172-0 |
| | | CENTER/REVERSED OUTER | 1-2288172-9 |
| 176.25 | EMI GASKET | REVERSED OUTER | 1-2288172-8 |
| | | CENTER/REVERSED OUTER | 1-2288172-7 |
| 173.5 | EMI SPRINGS | OUTER | 2288172-8 |
| | | INNER | 2288172-7 |
| | | INNER/OUTER | 2288172-6 |
| 176.25 | EMI GASKET | NONE | 2288172-5 |
| | | OUTER | 2288172-4 |
| | | INNER | 2288172-3 |
| | | INNER/OUTER | 2288172-2 |
| | | NONE | 2288172-1 |
| | | | |
| (E) | CAGE TYPE | LIGHT PIPE CONFIGURATION | PART NUMBER |

THIS DRAWING IS A CONTROLLED DOCUMENT. DIMENSIONING AND TOLERANCING PER ASME Y14.5M-2009. TOLERANCES UNLESS OTHERWISE SPECIFIED:

| | | |
|-------------|----|---|
| DIMENSIONS: | mm | 0 PLC ±0.10 1 PLC ±0.10 2 PLC ±0.10 3 PLC ±0.10 4 PLC ±0.10 |
| ANGLES | | ±° |
| FINISH | | ±" |

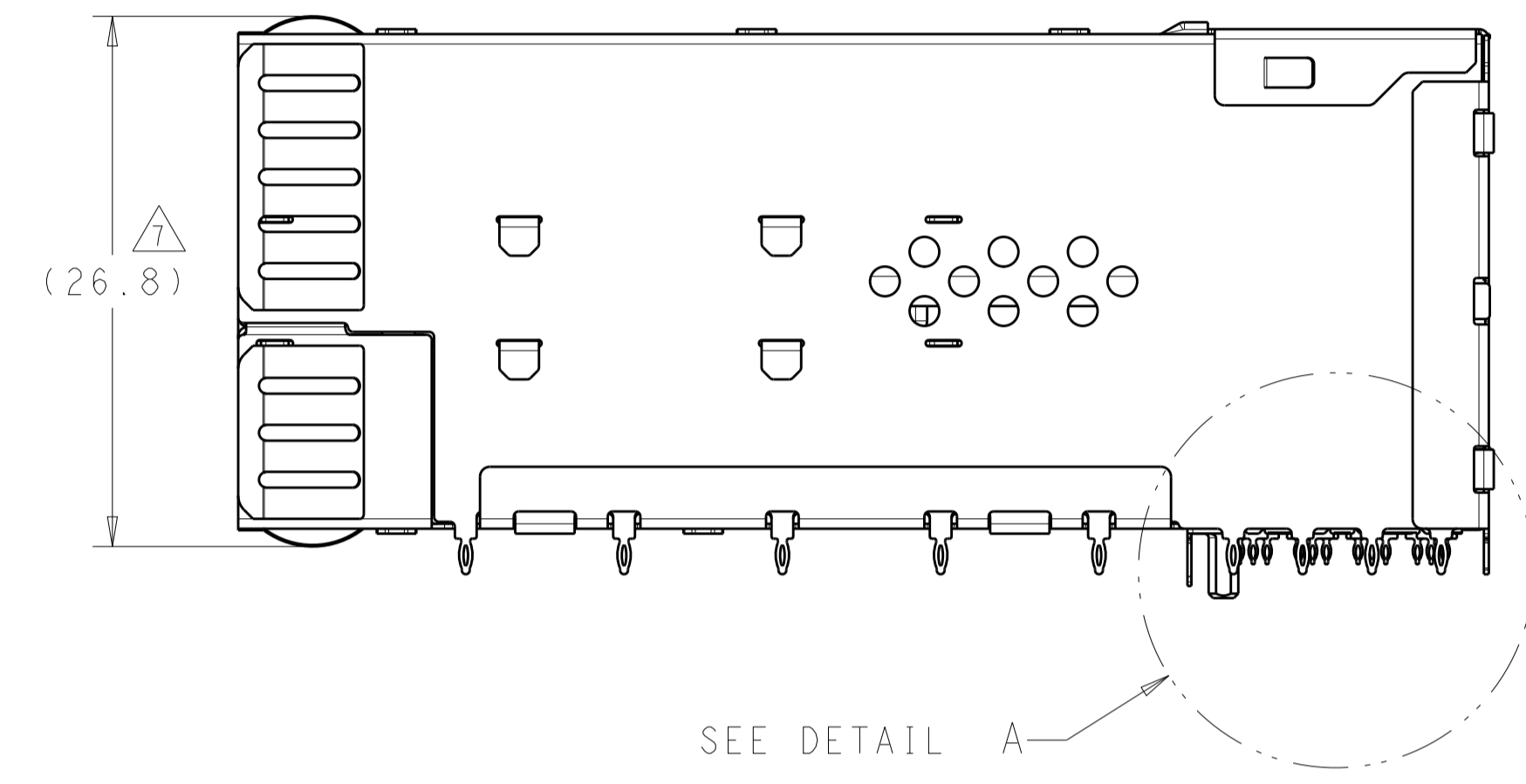
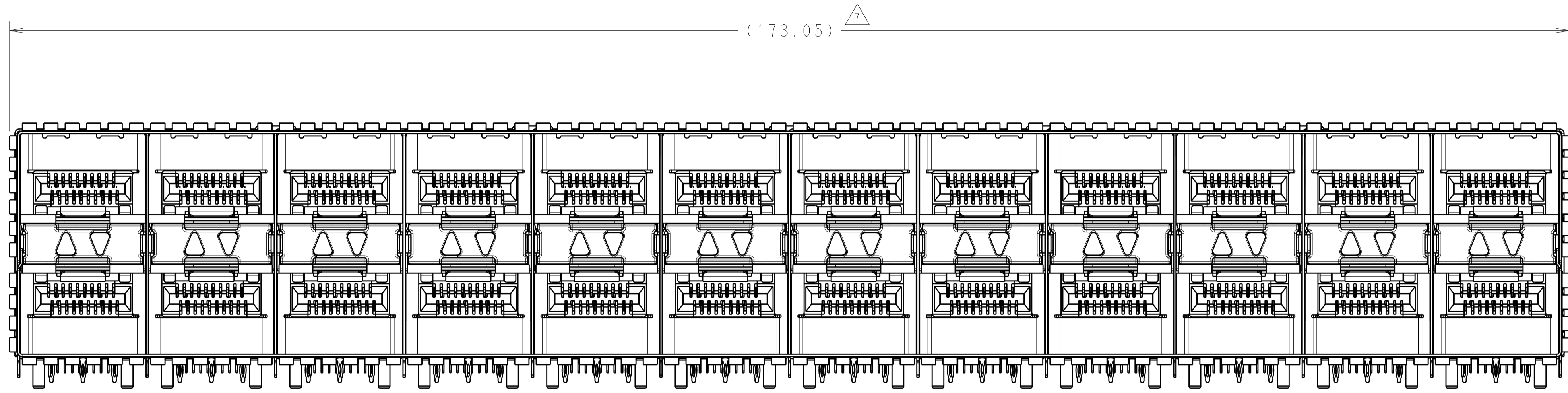
SEE NOTES

| | | |
|-------------------------|-----------------------------|---------------------|
| DWN: M. SHIRK 26JAN2015 | CHK: P. RECCE 26JAN2015 | APVD: |
| PRODUCT SPEC: 108-2431 | APPLICATION SPEC: 114-13319 | WEIGHT: |
| SIZE: A1 | CAGE CODE: 00779 | DRAWING NO: 2288172 |
| CUSTOMER DRAWING | | SCALE: 2:1 |

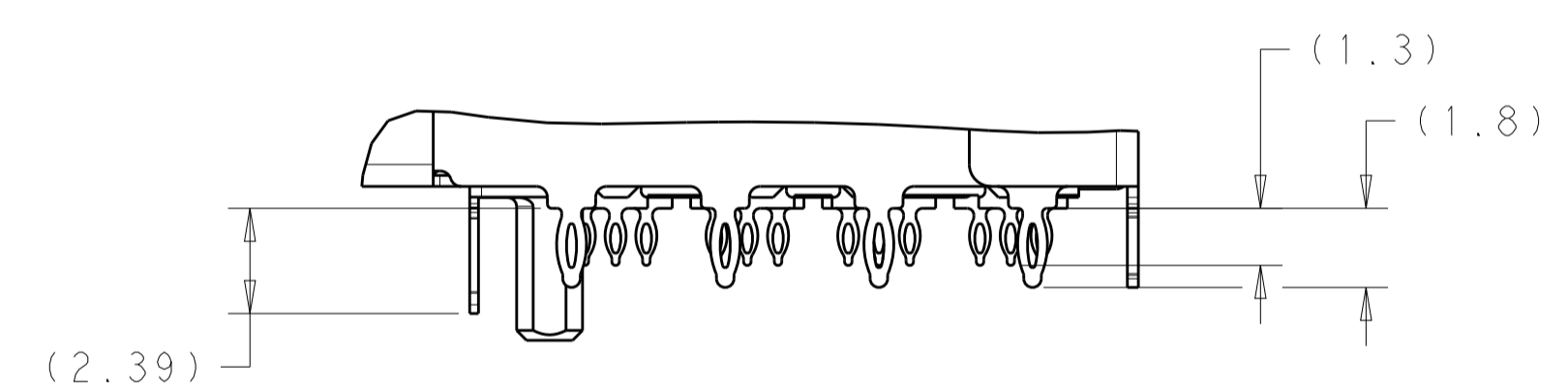
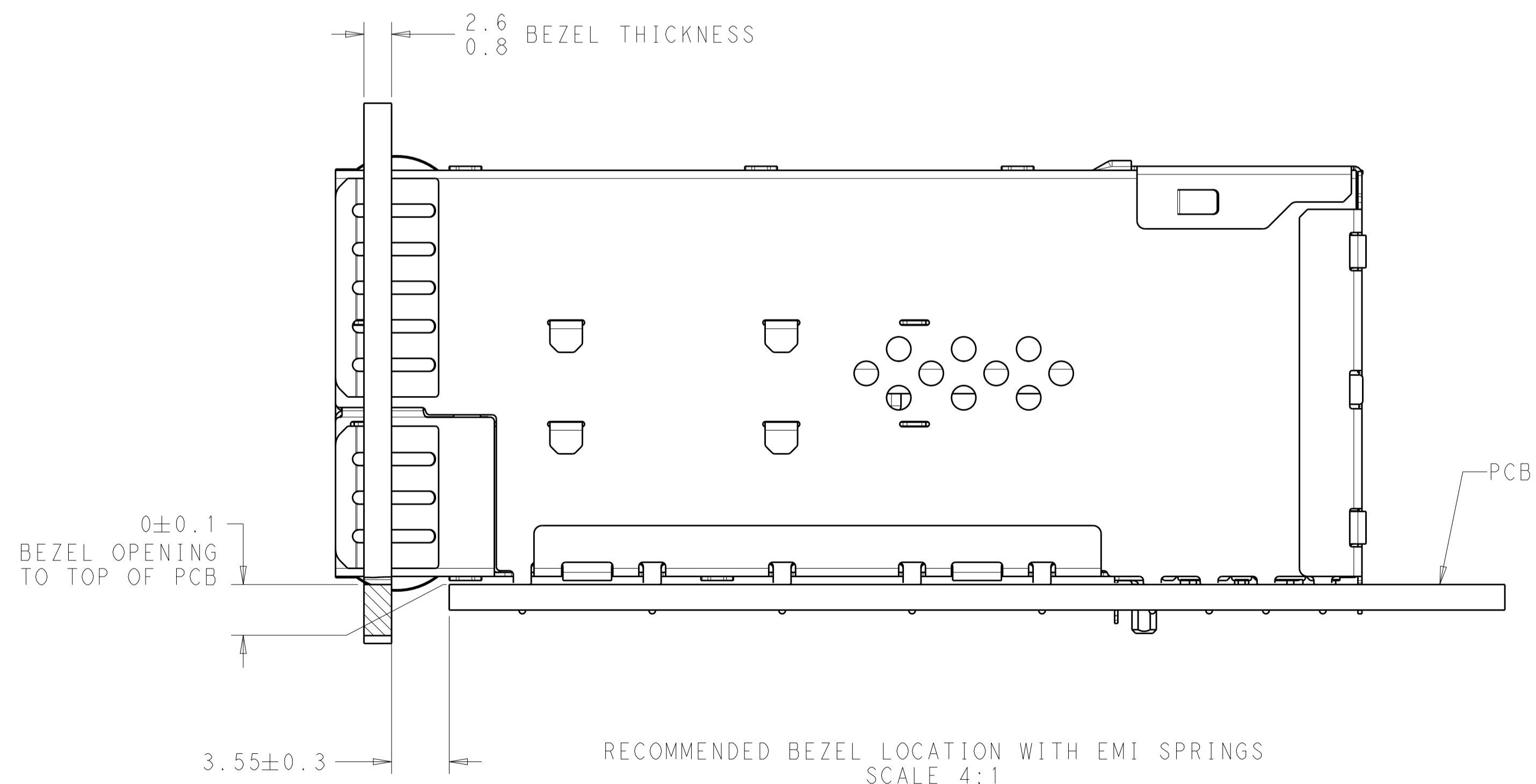
STE TE Connectivity
 RECEPTACLE ASSEMBLY, 2X12, STACKED, zSFP+

RESTRICTED TO: 1 OF 5 SHEETS REV A

| LOC | DIST | REVISIONS | | | | | |
|-----|------|-----------|-----|-------------|------|-----|------|
| GP | 00 | P | LTN | DESCRIPTION | DATE | DWN | APVD |
| - | - | - | - | SEE SHEET 1 | - | - | - |



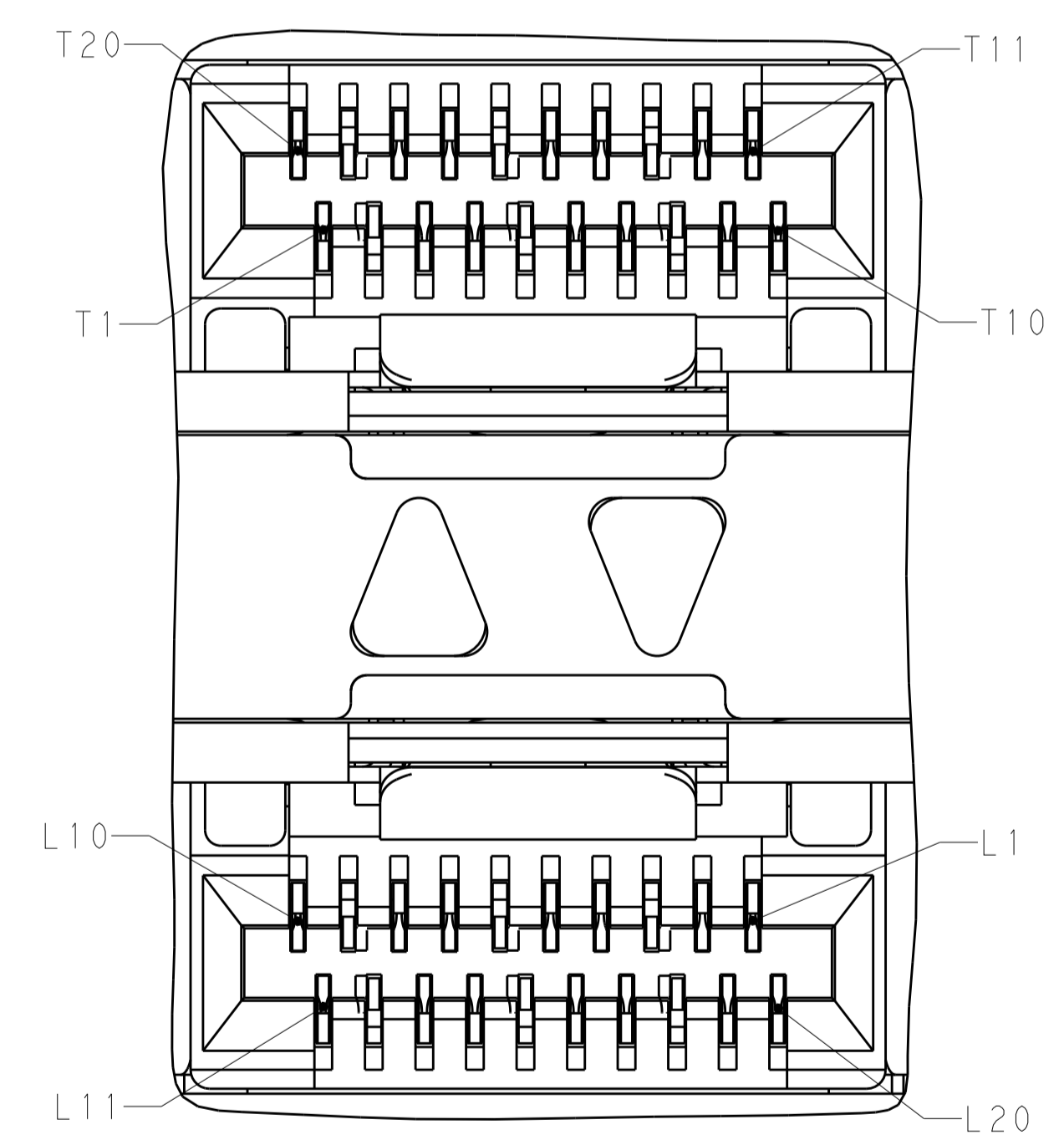
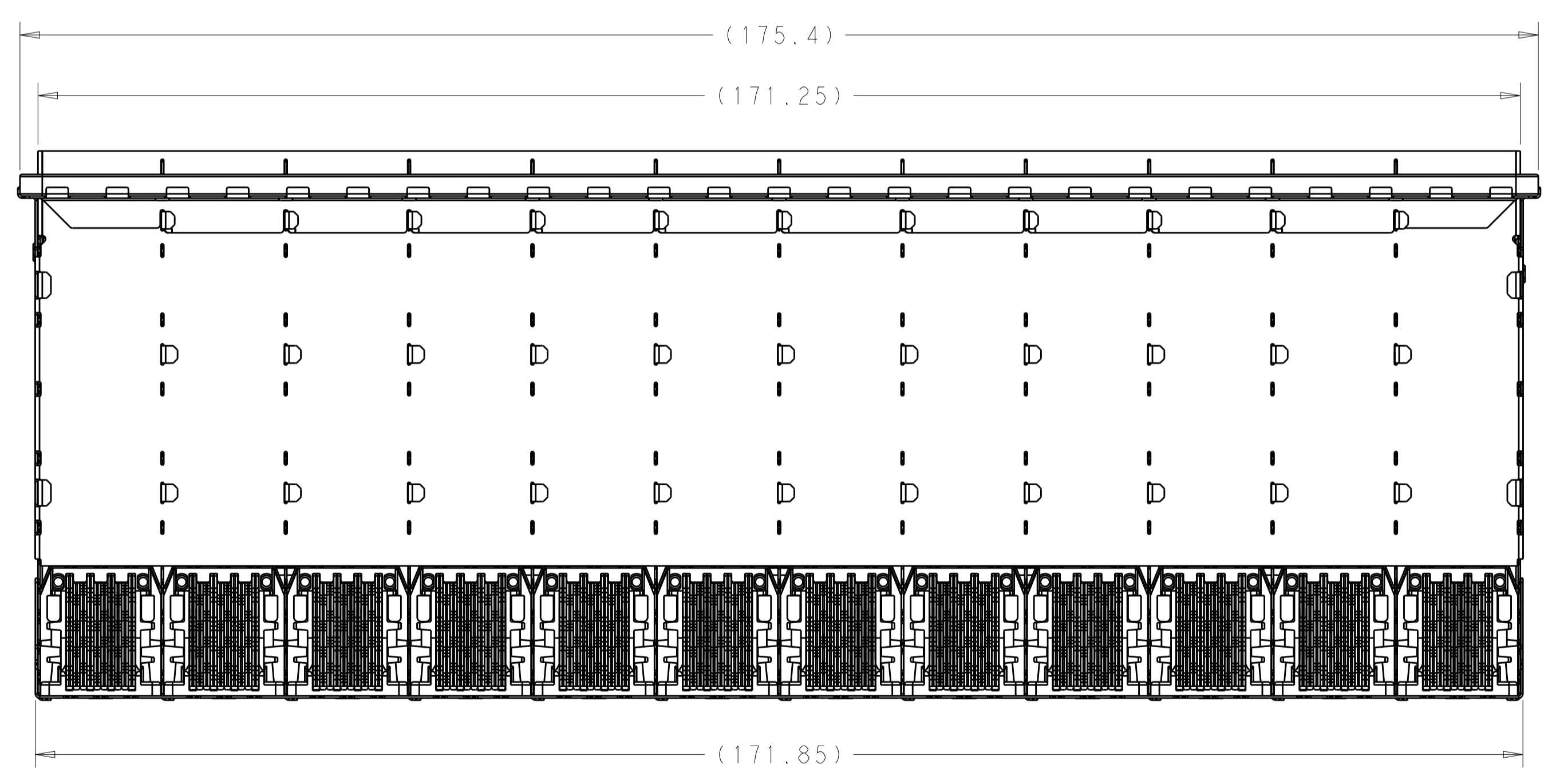
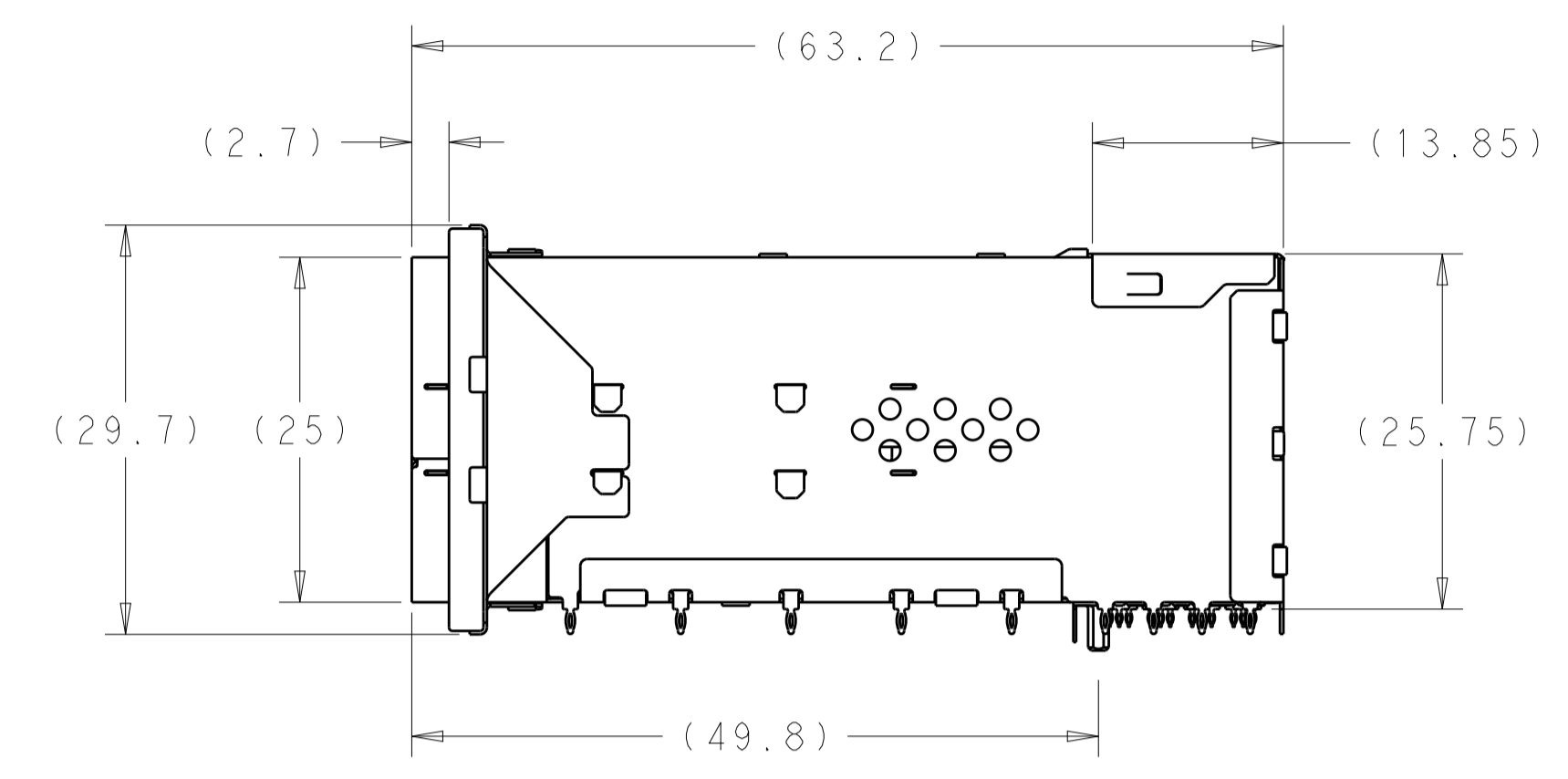
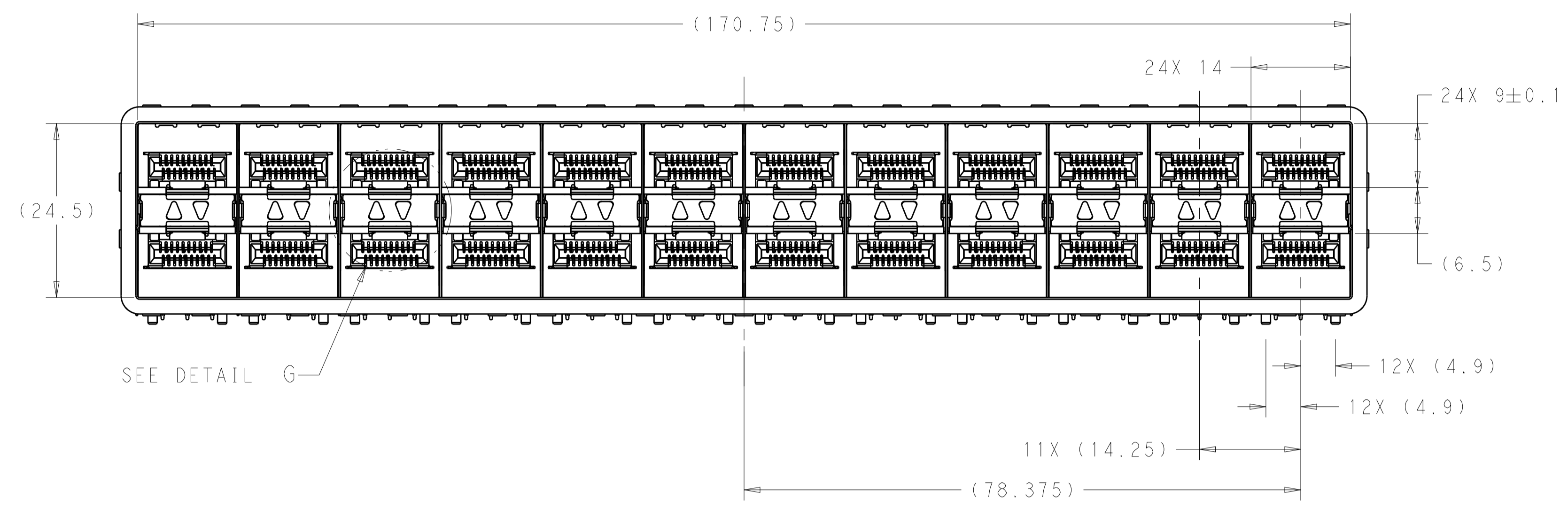
2288172-7
 EMI SPRINGS ONLY
 SCALE 3:1



DETAIL A
 SCALE 6:1

| | | | | |
|--|--|--------------------------------|------------------------------|--|
| THIS DRAWING IS A CONTROLLED DOCUMENT. | | DWN M. SHIRK 26 JAN 2015 | TE Connectivity | |
| DIMENSIONS: | | CHK P. RECCE 26 JAN 2015 | NAME | |
| TOLERANCES UNLESS OTHERWISE SPECIFIED: | | APVD | PRODUCT SPEC | |
| mm | | | 108-2431 | |
| 0 PLC ±0.10 | | | APPLICATION SPEC | |
| 1 PLC ±0.10 | | | 114-13319 | |
| 2 PLC ±0.10 | | | WEIGHT | |
| 3 PLC ±0.10 | | | A100779C=2288172 | |
| 4 PLC ± | | | RESTRICTED TO | |
| ANGLES | | | SCALE 2:1 SHEET 2 OF 5 REV A | |
| FINISH | | | CUSTOMER DRAWING | |
| SEE NOTES | | | | |

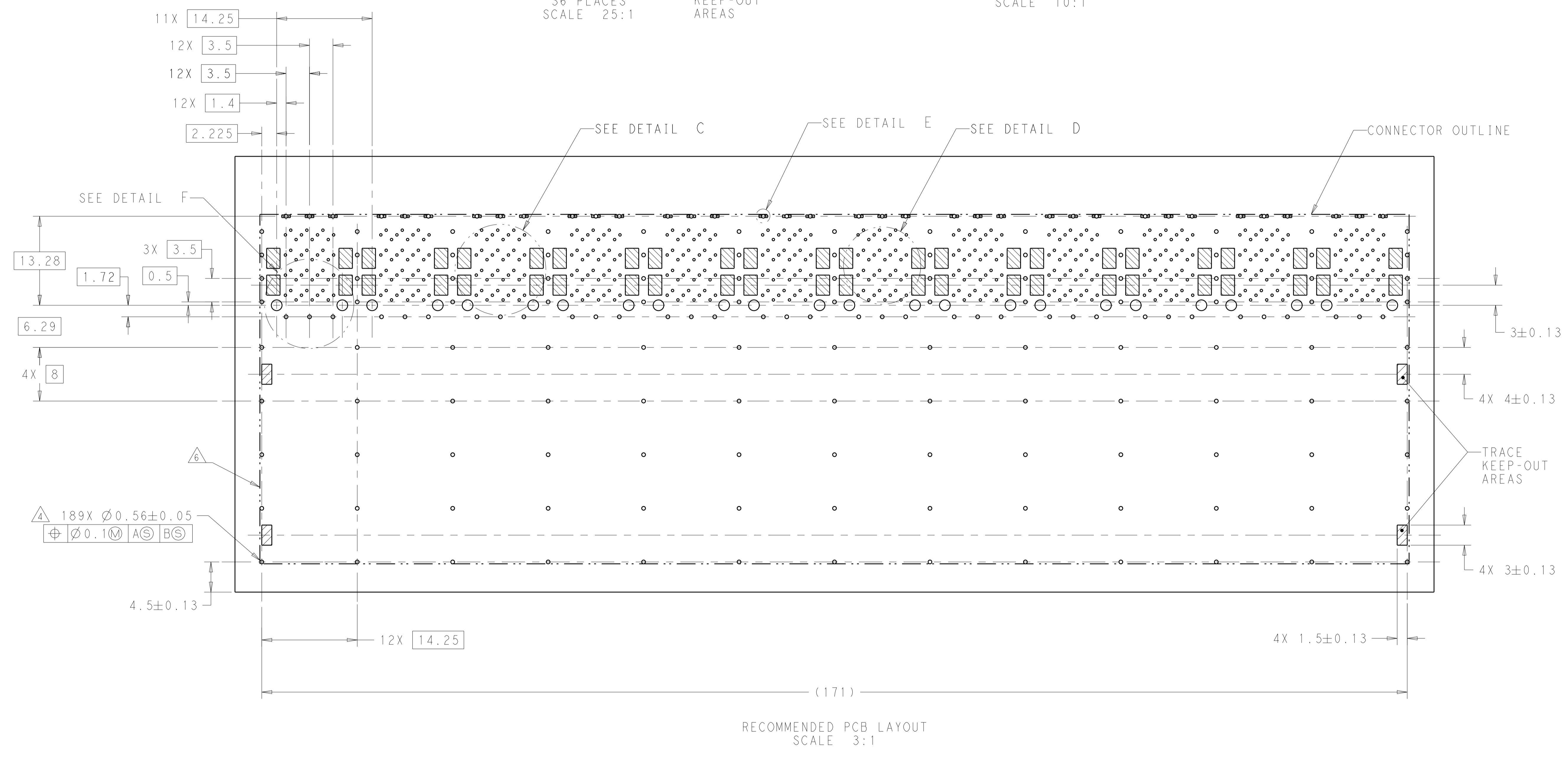
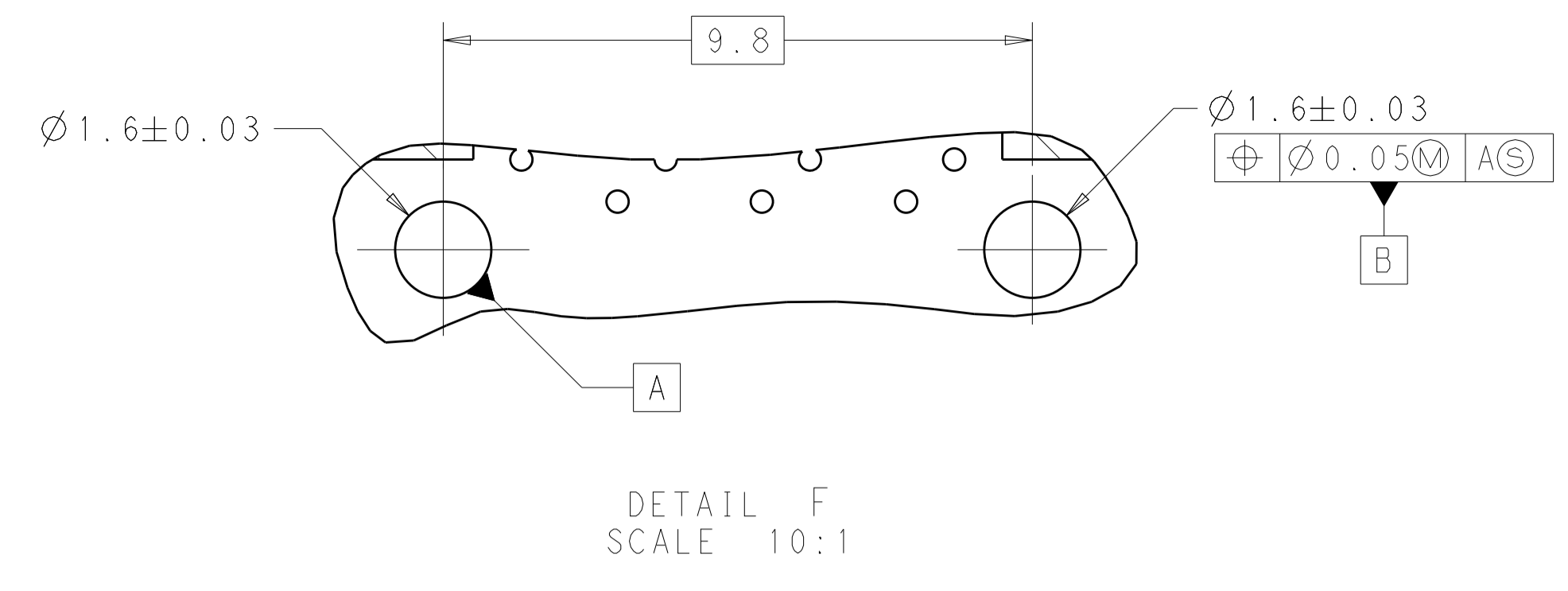
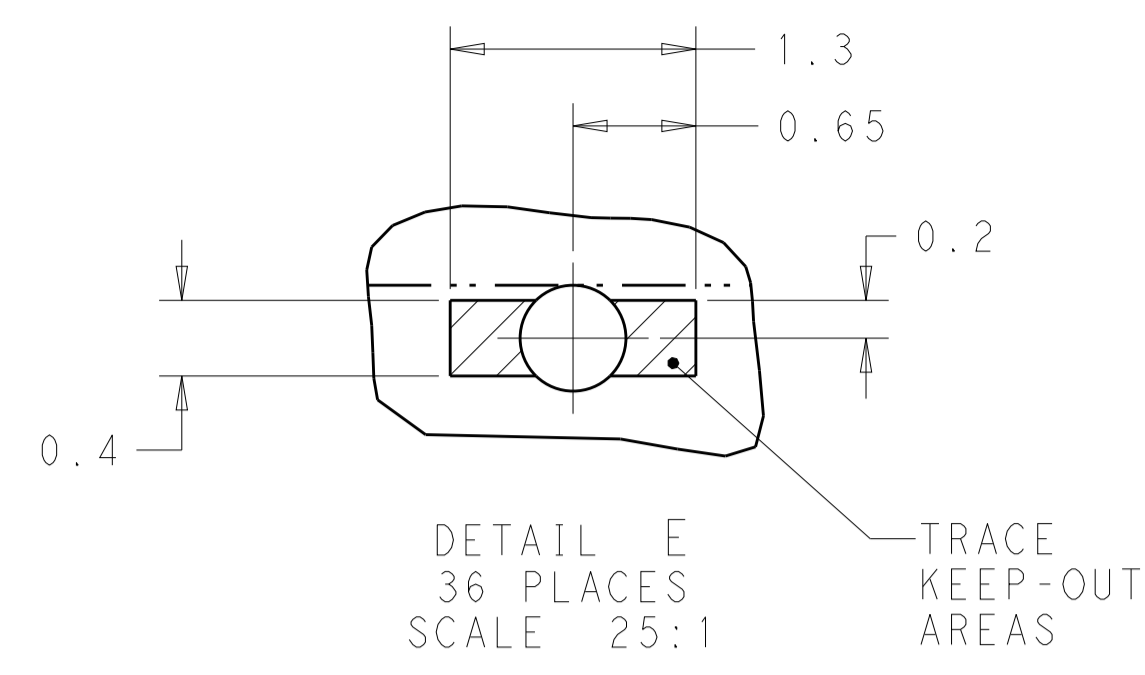
| LOC | | DIST | | REVISIONS | | | |
|-----|----|------|-----|-------------|------|-----|------|
| GP | 00 | P | LTN | DESCRIPTION | DATE | DWN | APVD |
| | | - | | SEE SHEET 1 | | | |



DETAIL G
 12X INDIVIDUALLY
 STACKED, zSFP+
 SCALE 10:1

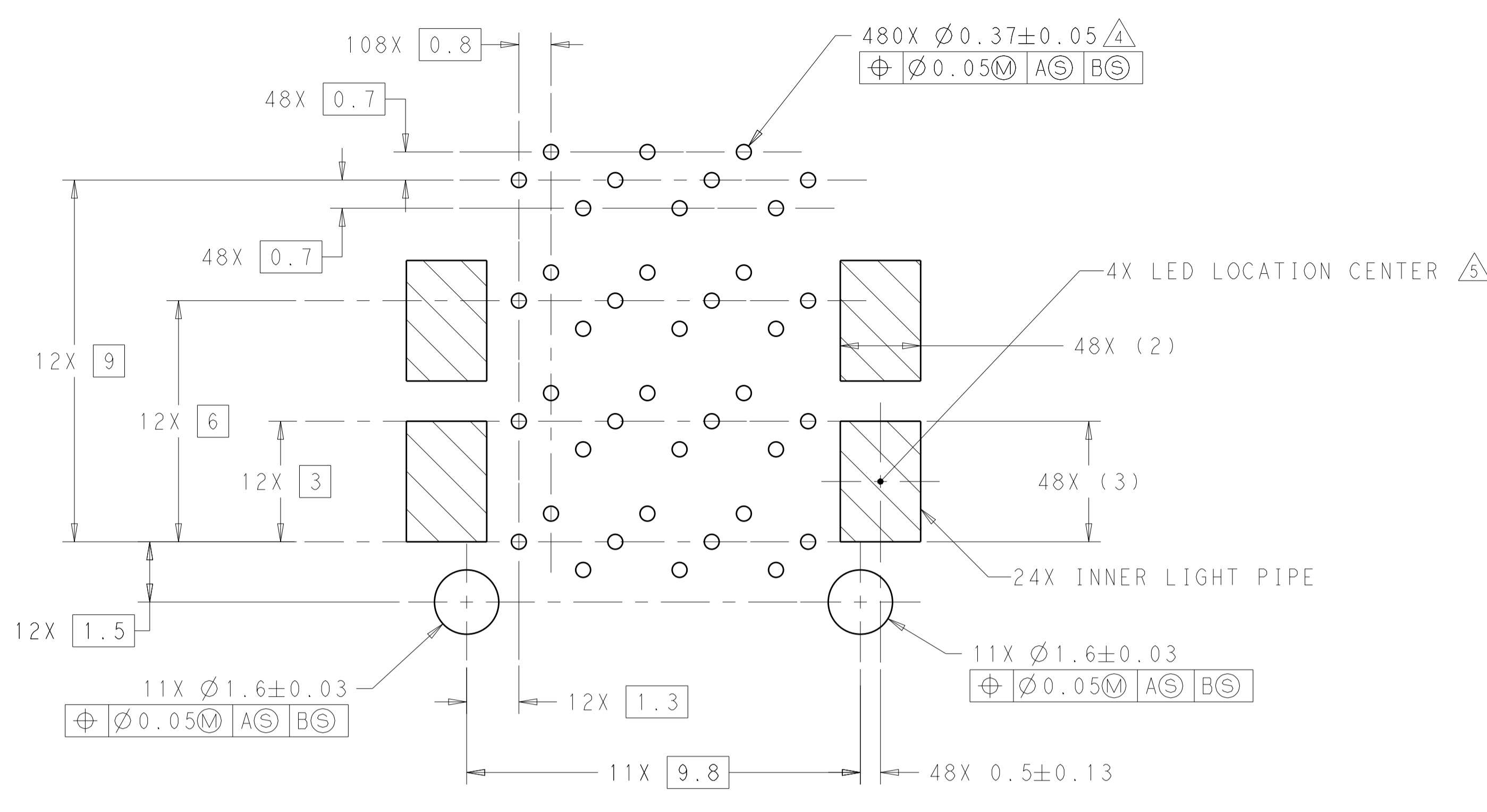
| | | | |
|---|--|---|---|
| THIS DRAWING IS A CONTROLLED DOCUMENT. DIMENSIONING AND TOLERANCING PER ASME Y14.5M-2009. | | DWN: M. SHIRK 26JAN2015 CHK: P. RECCE 26JAN2015 APVD: - | TE Connectivity RECEPTACLE ASSEMBLY, 2X12, STACKED, zSFP+ |
| DIMENSIONS: mm | TOLERANCES UNLESS OTHERWISE SPECIFIED: 0 PLC ± 0.10 1 PLC ± 0.10 2 PLC ± 0.10 3 PLC ± 0.10 4 PLC ± 0.10 ANGLES \pm | PRODUCT SPEC: 108-2431 APPLICATION SPEC: 114-13319 | |
| MATERIAL: SEE NOTES | FINISH: SEE NOTES | WEIGHT: - CUSTOMER DRAWING | SIZE: A1 CAGE CODE: 100779 DRAWING NO: C=2288172 RESTRICTED TO: - SCALE: 2:1 SHEET 3 OF 5 REV A |

| LOC | DIST | REVISIONS | | | | | |
|-----|------|-----------|-----|-------------|------|-----|------|
| GP | 00 | P | LTN | DESCRIPTION | DATE | OWN | APVD |
| | | - | - | SEE SHEET 1 | - | - | - |

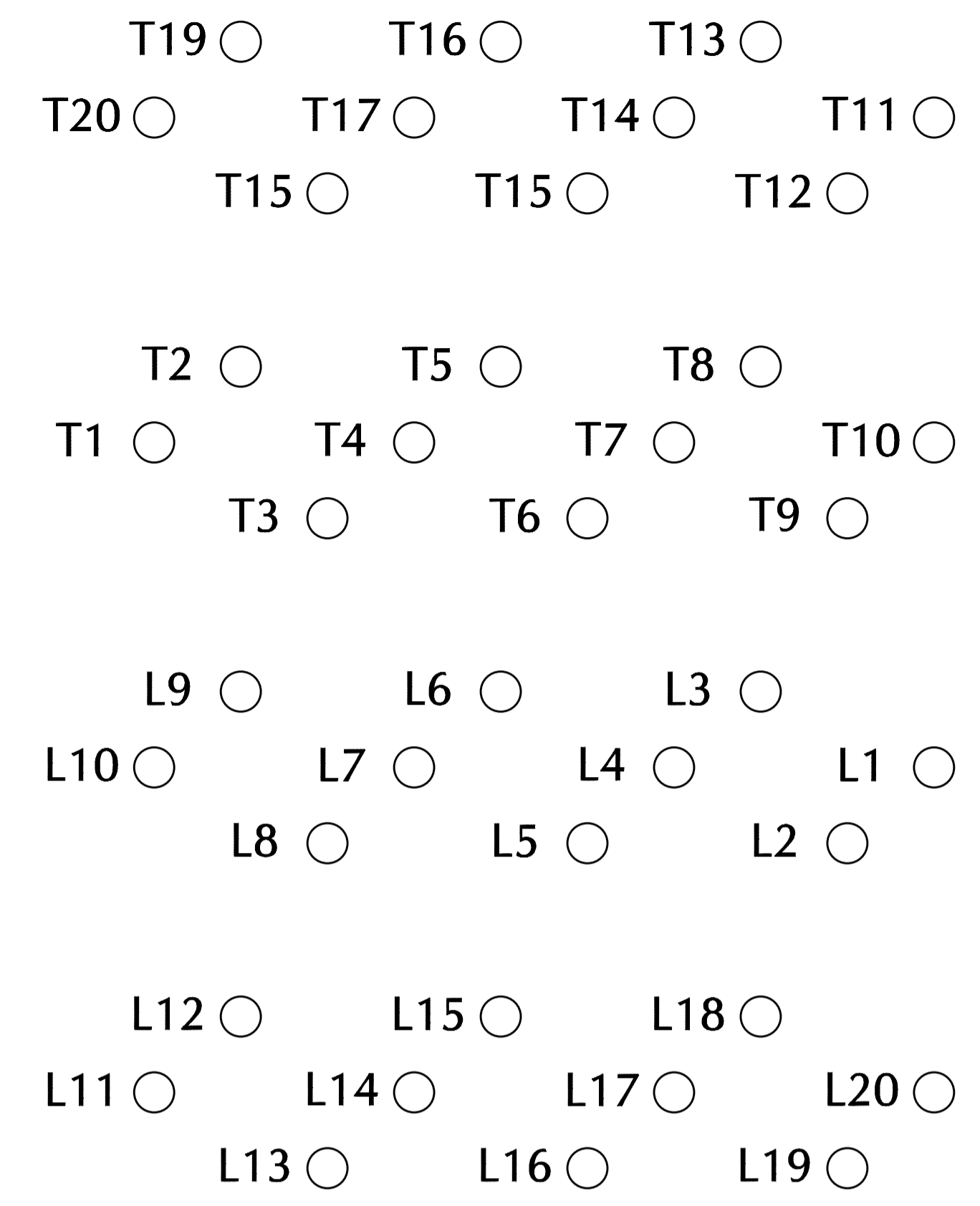


| | | | | |
|---|--|--|---|--|
| THIS DRAWING IS A CONTROLLED DOCUMENT. DIMENSIONING AND TOLERANCING PER ASME Y14.5M-2009. | | OWN: M. SHIRK CHK: P. RECCE APVD: - | 26 JAN 2015 26 JAN 2015 | TE Connectivity RECEPTACLE ASSEMBLY, 2X12, STACKED, zSFP+ |
| DIMENSIONS: mm | TOLERANCES UNLESS OTHERWISE SPECIFIED: 0 PLC ±0.10 1 PLC ±0.10 2 PLC ±0.10 3 PLC ±0.10 4 PLC ±0.10 ANGLES ±° | PRODUCT SPEC: 108-2431 APPLICATION SPEC: 114-13319 WEIGHT: - | SIZE: A1 CAGE CODE: 00779 DRAWING NO: C=2288172 | |
| MATERIAL: SEE NOTES | FINISH: SEE NOTES | CUSTOMER DRAWING | | RESTRICTED TO: - |
| SCALE: 2:1 | | | SHEET: 4 OF 5 | REV: A |

| LOC | DIST | REVISIONS | | | | | |
|-----|------|-----------|-----|-------------|------|-----|------|
| GP | 00 | P | LTN | DESCRIPTION | DATE | DWN | APVD |
| | | - | | SEE SHEET 1 | | | |

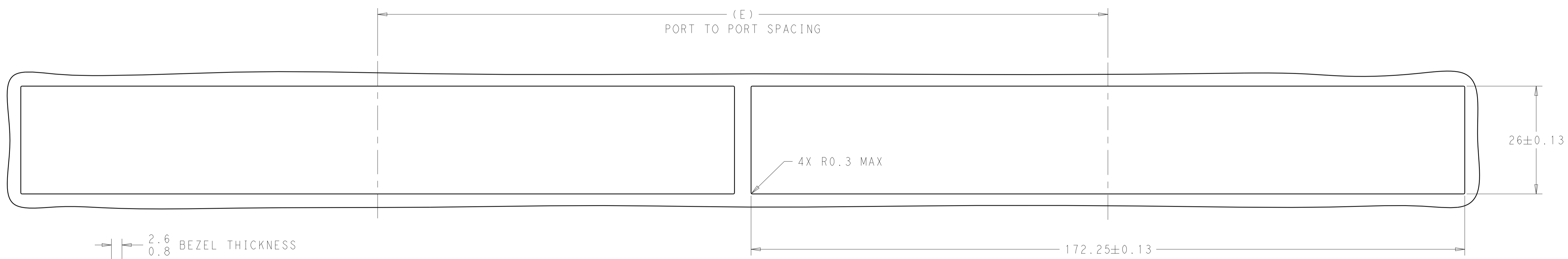


DETAIL C
 RECOMMENDED PIN AND LIGHT PIPE LAYOUT
 SCALE 10:1

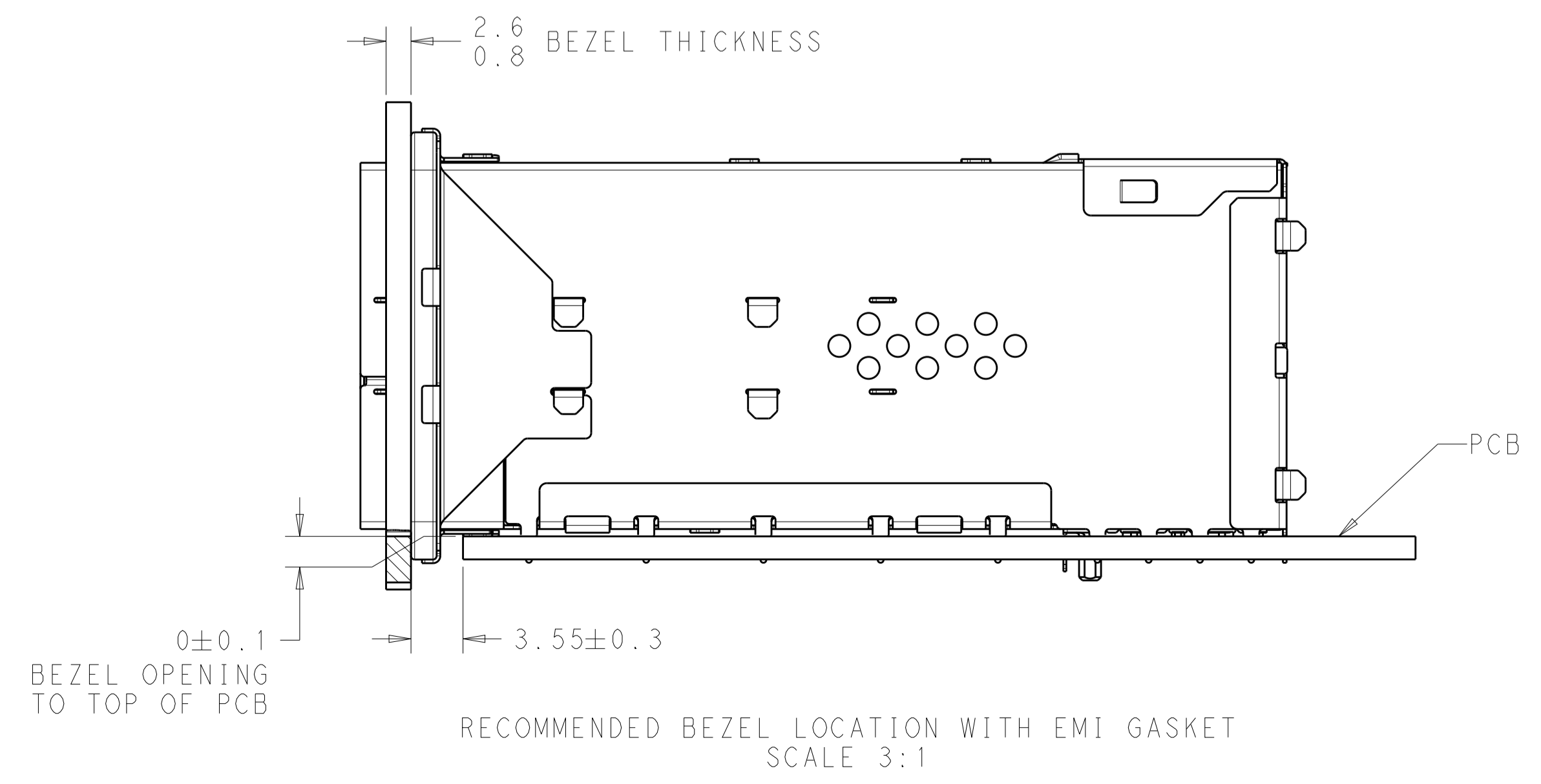


| PIN MAP LEGEND | |
|----------------|------------|
| PIN NUMBER | FUNCTION |
| L1/T1 | VEET |
| L2/T2 | TX-FAULT |
| L3/T3 | TX-DISABLE |
| L4/T4 | SDA |
| L5/T5 | SCL |
| L6/T6 | MOD_ABS |
| L7/T7 | RSO |
| L8/T8 | RX_LOS |
| L9/T9 | RS1 |
| L10/T10 | VEER |
| L11/T11 | VEER |
| L12/T12 | RD- |
| L13/T13 | RD+ |
| L14/T14 | VEER |
| L15/T15 | VCCR |
| L16/T16 | VCCT |
| L17/T17 | VEET |
| L18/T18 | TD+ |
| L19/T19 | TD- |
| L20/T20 | VEET |

DETAIL D
 PIN MAP
 12 PLACES
 SCALE 20:1



RECOMMENDED BEZEL CUT OUT DETAIL



RECOMMENDED BEZEL LOCATION WITH EMI GASKET
 SCALE 3:1

| | | | | |
|--|--|--|---|-------------------|
| THIS DRAWING IS A CONTROLLED DOCUMENT. DIMENSIONING AND TOLERANCING PER ASME Y14.5M-2009 | | DWN: M. SHIRK 26JAN2015 CHK: P. RECCE 26JAN2015 | TE Connectivity | |
| DIMENSIONS: mm | TOLERANCES UNLESS OTHERWISE SPECIFIED: | APVD: - | NAME: RECEPTACLE ASSEMBLY, 2X12, STACKED, zSFP+ | RESTRICTED TO: - |
| 0 PLC ±0.10 | 1 PLC ±0.10 | PRODUCT SPEC: 108-2431 | SIZE: A1 | CAGE CODE: 100779 |
| 2 PLC ±0.10 | 3 PLC ±0.10 | APPLICATION SPEC: 114-13319 | DRAWING NO: C=2288172 | REV: A |
| 4 PLC ±0.10 | ANGLES ±° | WEIGHT: - | CUSTOMER DRAWING | SCALE: 2:1 |
| MATERIAL: - | FINISH: - | DATE: - | SHEET: 5 | OF: 5 |
| SEE NOTES | SEE NOTES | SCALE: 2:1 | SHEET: 5 | OF: 5 |

单击下面可查看定价，库存，交付和生命周期等信息

[>>TE Connectivity\(泰科\)](#)