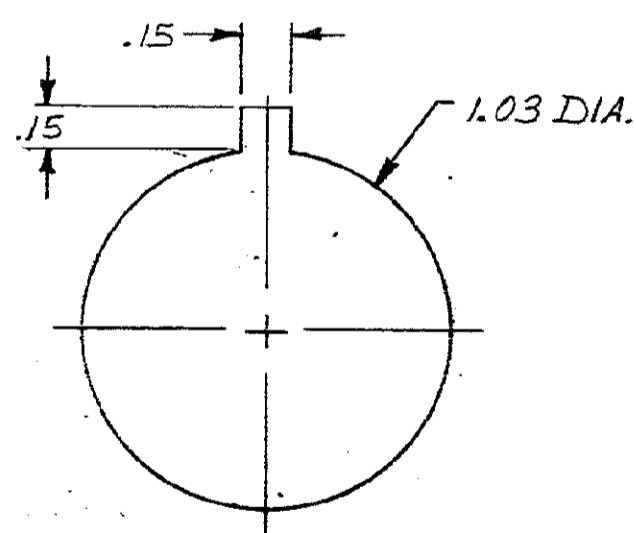
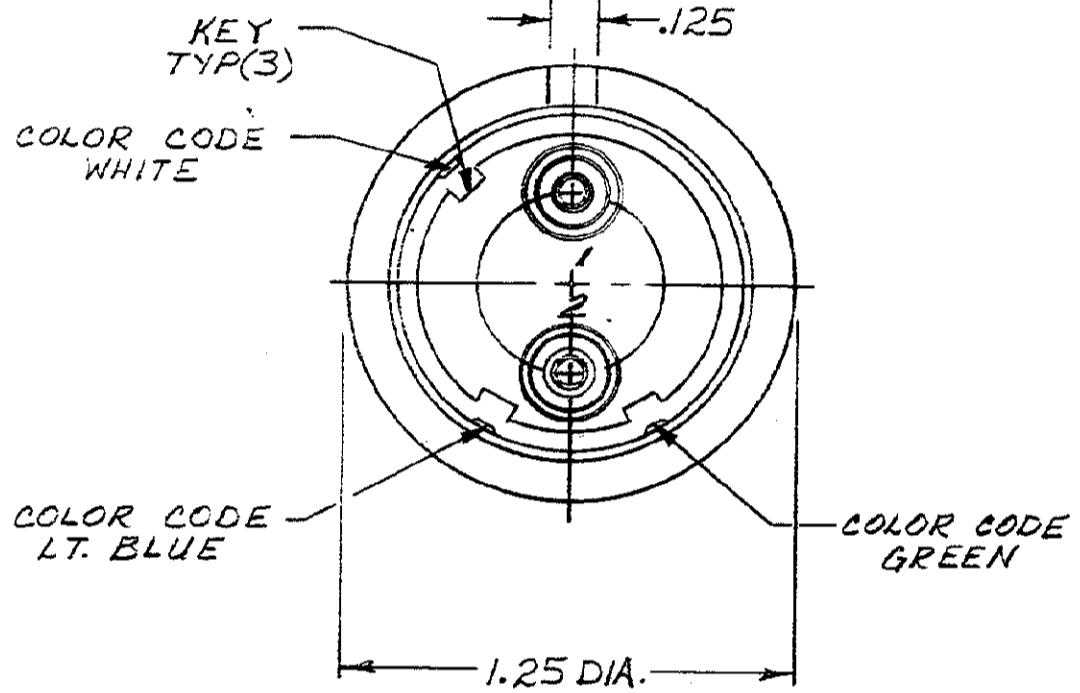
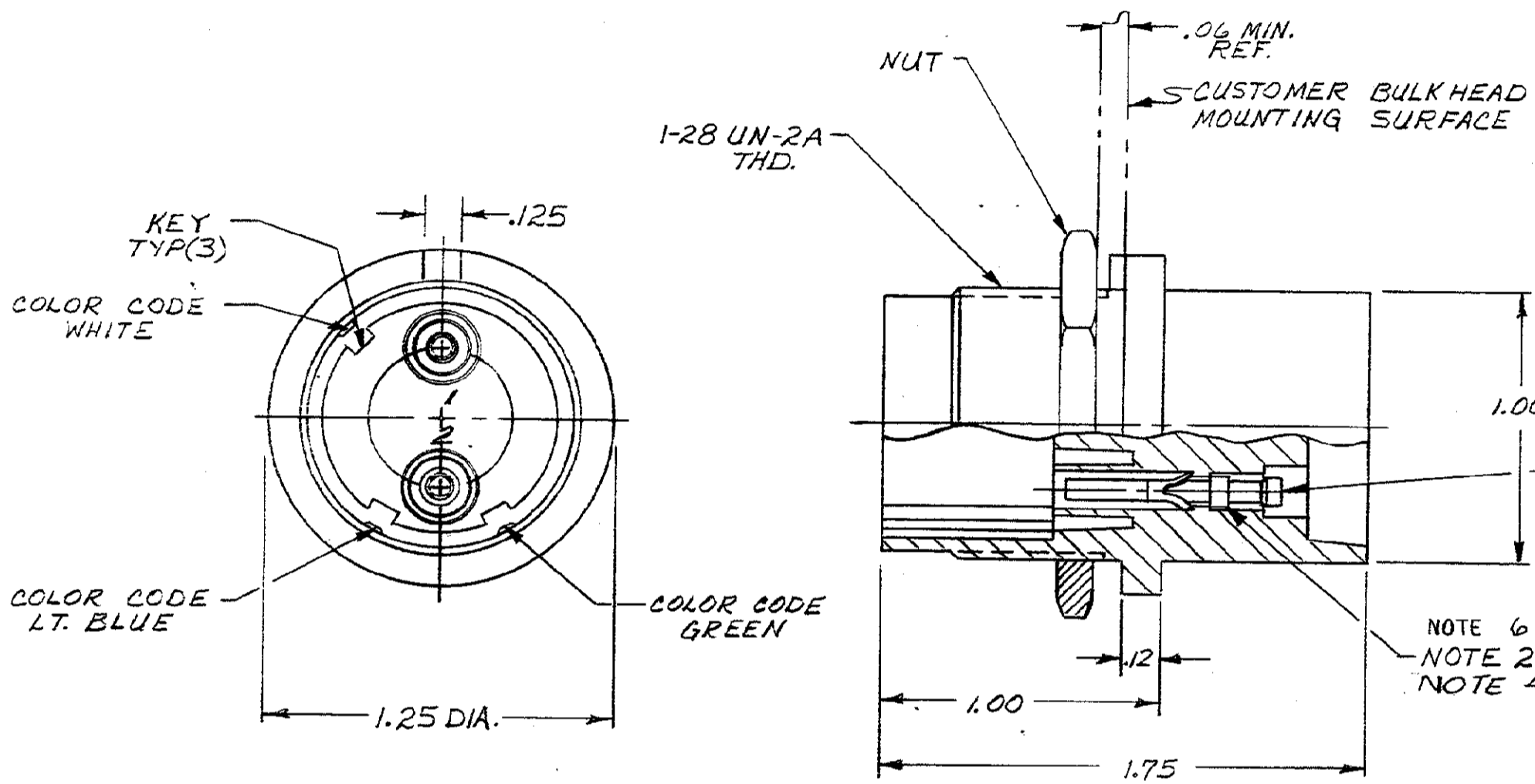


DRAWING MADE IN AMERICAN PROJECTION

© 1971 BY AMP INCORPORATED. ALL RIGHTS RESERVED. AMP PRODUCTS COVERED BY PATENTS AND/OR PATENTS PENDING.

Published copy not to be reproduced without written permission of AMP

REVISIONS				
ZONE	LTR	DESCRIPTION	DATE	APPROVED
	E	REV. & REDRAWN WAS "B" SIZE	7-24-71	MB
	F	REV. NOTE 2 & ADDED POTTING MATERIAL	8-24-71	MB
	G	ADDED P/N -2 & NOTE # 5	CDG 4-20-72	MB
	H	ADDED COLOR CODE & DELETED PORTION OF TWD	5-18-72	MB
	J	REV. NOTES	1-23-74	MA
	K	ADDED -3	DS 2-26-76	MA
	L	ADDED -4, -5, -6	DS 6-29-77	MA
	M	REV. PER E.C.N. 8597	AG 1-29-79	MA
	N	OBSOLETE -3 & -6 ECN S3615	11-5-86	RS
	P	REACTIVATE -6 PER ECN DFOZC07	12/16/87	ME WJ



NOTE 6 FOR P/N -3, -6
NOTE 2 FOR P/N -1, -4
NOTE 4 FOR P/N -2, -5

- NOTE:
1. CAVITY TO ACCEPT AMP SOCKETS, TYPE II 16 GA. SOCKETS, SUPPLIED SEPARATELY IN A PLASTIC BAG.
 2. TYPE II SOCKETS WILL ACCEPT (1) 22 AWG, (1) 20 AWG, OR (1) 24 AWG STRANDED WIRE. GOLD PLATED PER MIL-G-45204 TYPE II .00050 MIN. THICKNESS. TYP
 3. RECEPTACLE WILL WITHSTAND WITHOUT BREAKDOWN 27 KV DC PIN TO PIN & 27 KV DC PIN TO GRD. WHEN MATED WITH 859817, 859537, 859530, 859531 & 859532
 4. TYPE I SOCKETS WILL ACCEPT (1) 16 AWG, OR (1) 18 AWG STRANDED WIRE.
 5. TO REMOVE SOCKETS USE EXTRACTION TOOL # 861751-1
 6. TYPE II SOCKETS TO ACCEPT ONE (1) 14 AWG STRANDED WIRE.

PART NO	WIRE SIZE SKT. WILL ACCEPT	HAND TOOL	COLOR CODING
859529-1	24, 22, 20 AWG	45099	YES
859529-2	16, 18 AWG	45098	YES
OBSOLETE 859529-3	14 AWG	45098	YES
859529-4	20, 22, 24	45099	NO
859529-5	16, 18	45098	NO
859529-6	14	45098	NO

UNLESS OTHERWISE SPECIFIED: DIMENSIONS ARE IN INCHES TOLERANCES .00 = ±.04 ANGLES = J .000 = ±.015		CONTRACT NO. OR L. GEIB 2-15-71		NOMENCLATURE OR DESCRIPTION PARTS LIST AMP INCORPORATED CAPITROM DIVISION ELIZABETHTOWN, PENNSYLVANIA	
MATERIAL: MOLDED PLASTIC		CHK		NAME 2 CAVITY FLANGED RECEPTACLE H. V.	
FINISH: BLACK		APPD M. GARDNER 2-15-71		SIZE C	
NEXT ASSY		OTHER APPD		CODE IDENT NO. 00779	
QTY REQD		APPLICATION		NUMBER 859529	
				SCALE	
				SHEET 1 OF 1	

单击下面可查看定价，库存，交付和生命周期等信息

[>>TE Connectivity\(泰科\)](#)