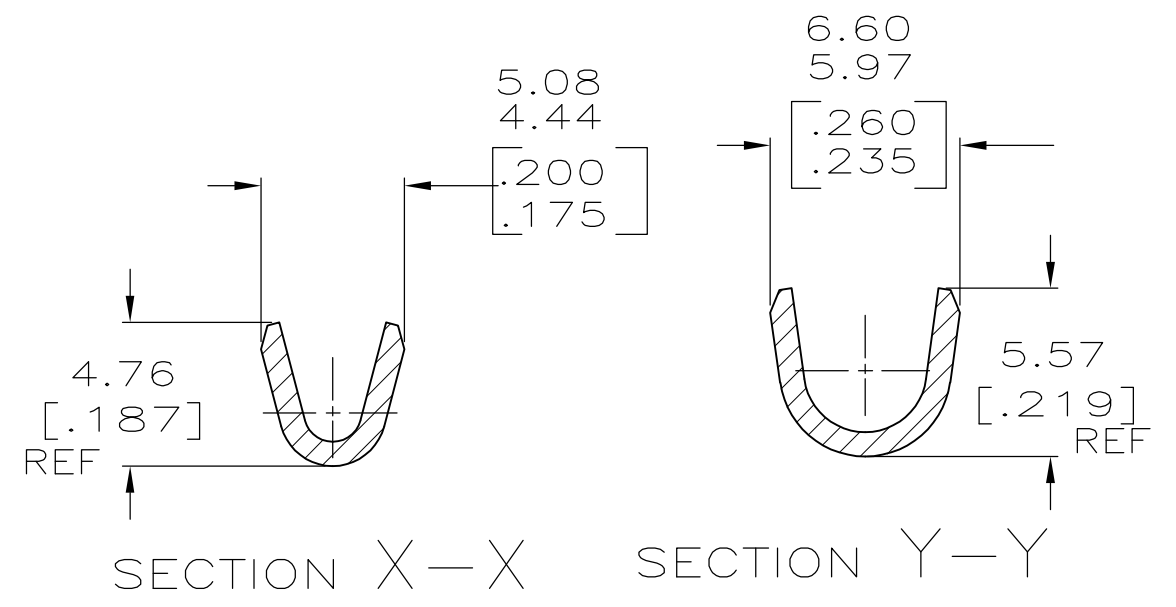
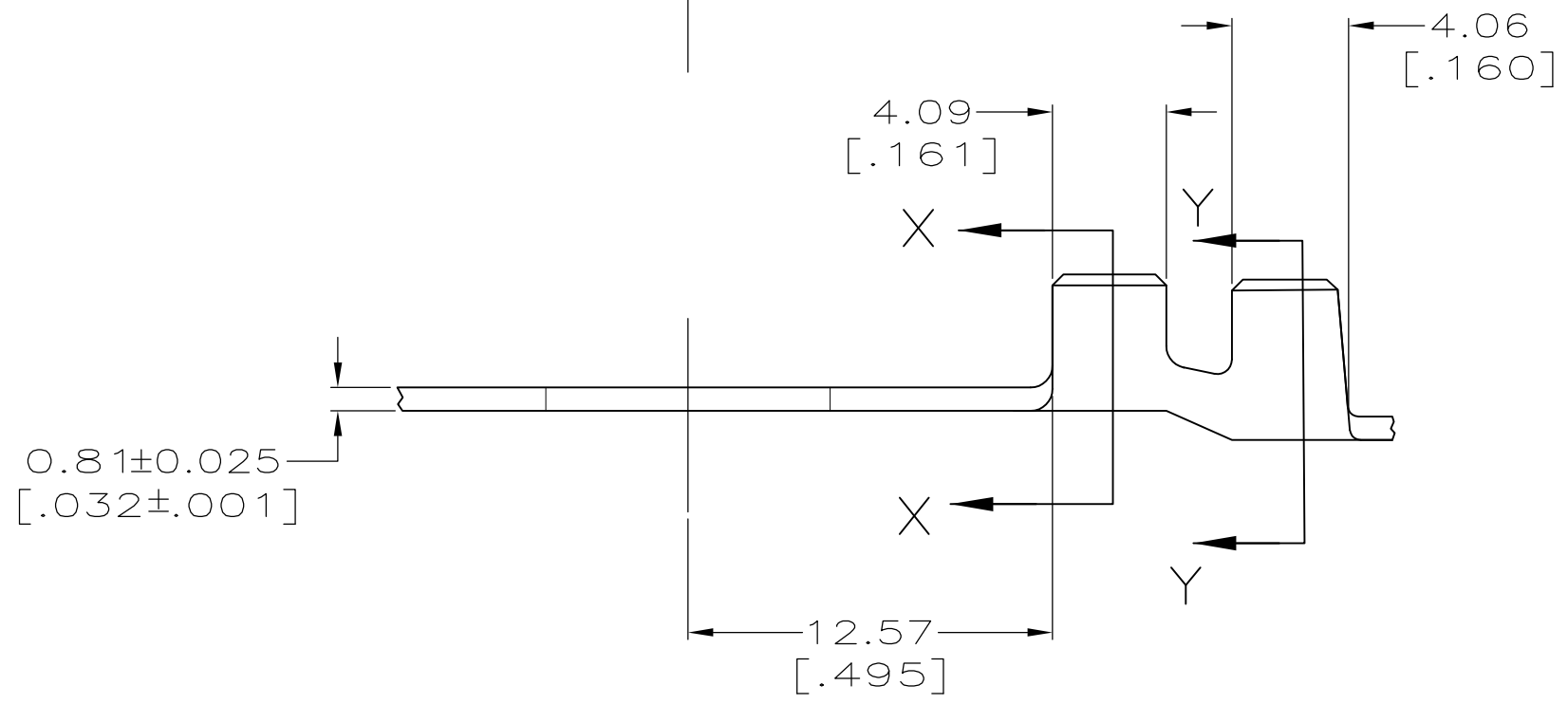
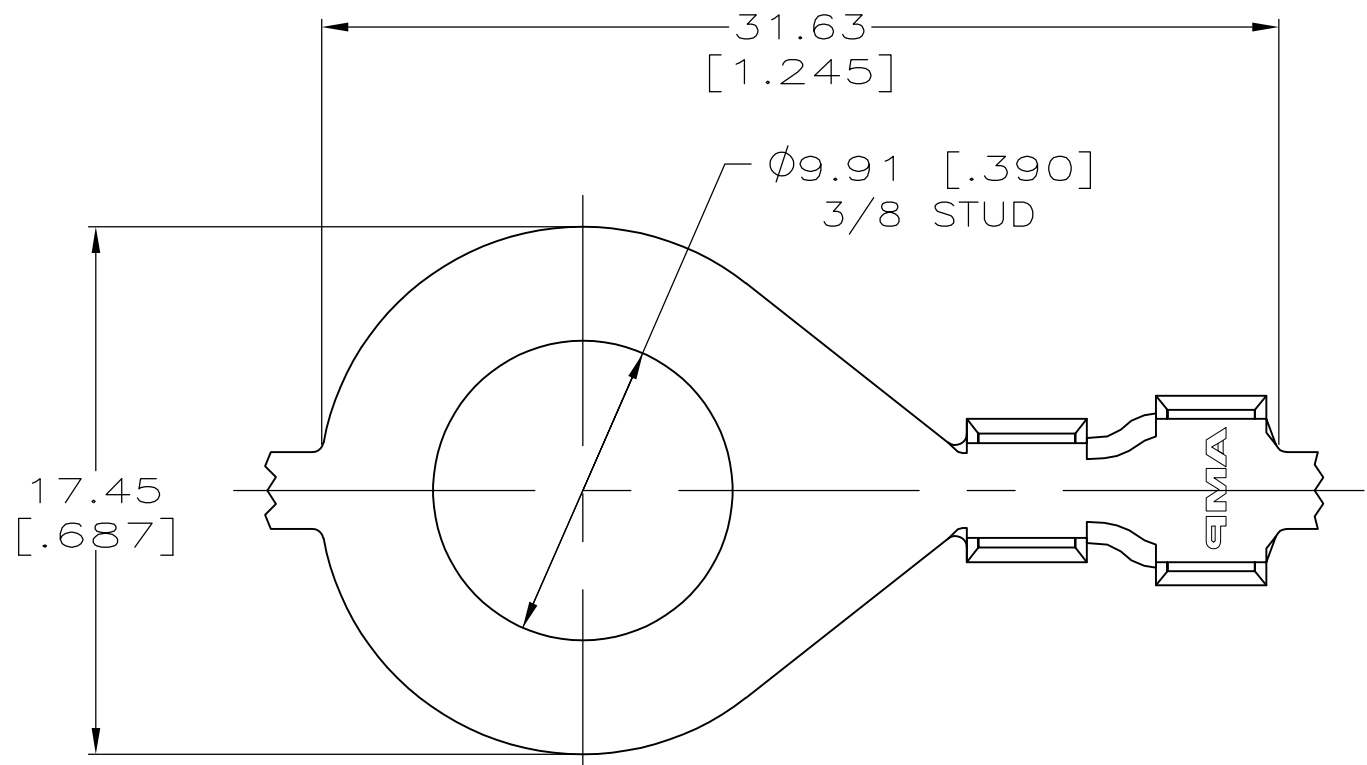


THIS DRAWING IS UNPUBLISHED. RELEASED FOR PUBLICATION
 © COPYRIGHT BY TYCO ELECTRONICS CORPORATION. ALL INTERNATIONAL RIGHTS RESERVED.

LOC	DIST	REVISIONS			
P	LTR	DESCRIPTION	DATE	DWN	APVD
AF	50	B1	REVISED PER ECR-10-015031	29JUL10	HMR PD

1. CONTINUOUS STRIP ON REELS.
2. WIRE SIZE IS [#16-#14] AWG.
3. INSULATION RANGE IS 3.05-4.57 [.120-.180] DIA.



1217330-1
PART NO.

THIS DRAWING IS A CONTROLLED DOCUMENT.		DWN	JR RUTH	09FEB00	Tyco Electronics Corporation Harrisburg, PA 17105-3608
DIMENSIONS: mm [INCHES]		CHK	MS FEHER	09FEB00	
TOLERANCES UNLESS OTHERWISE SPECIFIED:		APVD	D DECKER	09FEB00	
0 PLC ± - 1 PLC ± - 2 PLC ± 0.25 [.010] 3 PLC ± - 4 PLC ± - ANGLES ± -		PRODUCT SPEC		NAME	
MATERIAL	082 BRASS	FINISH	TIN	APPLICATION SPEC	RING TONGUE
		WEIGHT	-	SIZE	A3
		CUSTOMER DRAWING		CAGE CODE	00779
				DRAWING NO	C-1217330
				RESTRICTED TO	-
		SCALE	4:1	SHEET	1 OF 1
				REV	B1

单击下面可查看定价，库存，交付和生命周期等信息

[>>TE Connectivity\(泰科\)](#)