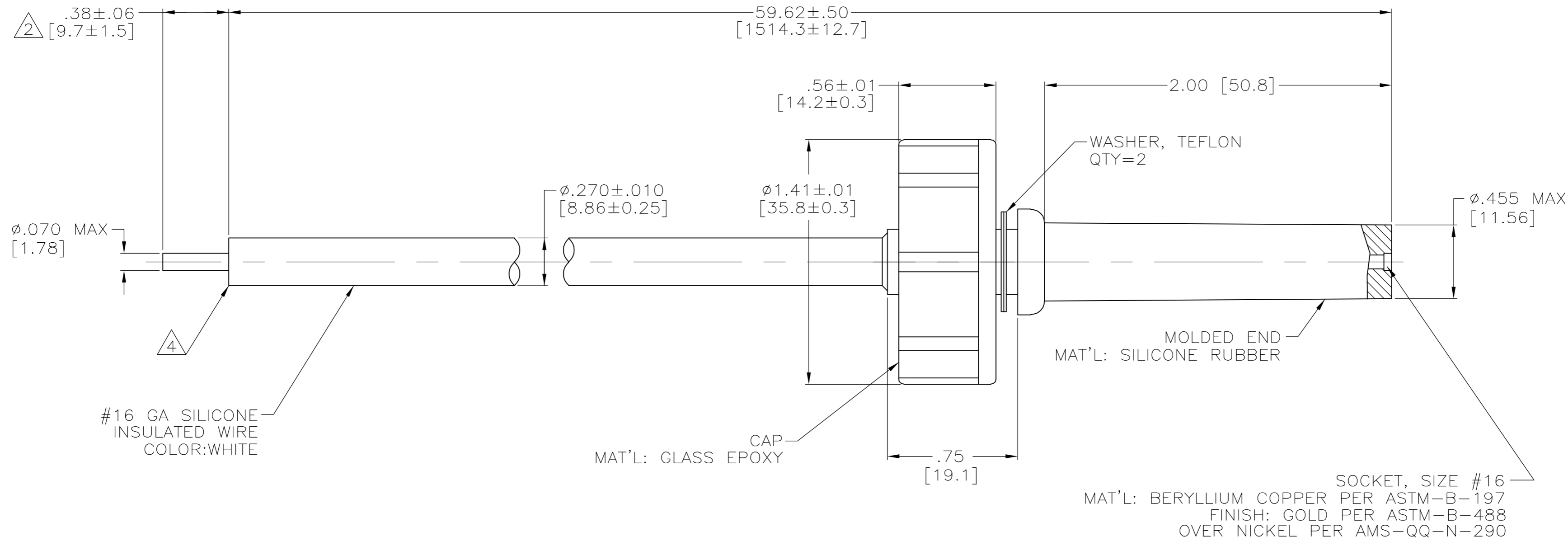


THIS DRAWING IS UNPUBLISHED. RELEASED FOR PUBLICATION - .N/A .
 © COPYRIGHT N/A BY TYCO ELECTRONICS CORPORATION. ALL RIGHTS RESERVED.

LOC	DIST	REVISIONS					
DF	SO	P	LTR	DESCRIPTION	DATE	DWN	APVD
		D		REV PER ECO-05-002595	07-05	AA	DE

1. TO MATE WITH AMP LGH-4 RECEPTACLE WITH 2.00 [50.8] BARREL DEPTH.
2. PIGTAIL IS SOLDER DIPPED.
3. MAX OPERATING VOLTAGE: 40 KVDC
4. INSULATION CUT, BUT NOT REMOVED.



4	5-867566-1
2	867566-1
REMARKS	PART NO.

THIS DRAWING IS A CONTROLLED DOCUMENT.		DWN	12-AUG-96	 Tyco Electronics Corporation Harrisburg, Pa 17105-3608
DIMENSIONS: INCHES [mm]		CHK	13-AUG-96	
TOLERANCES UNLESS OTHERWISE SPECIFIED:		APVD	13-AUG-96	
0 PLC ± - 1 PLC ± - 2 PLC ± .03 [0.8] 3 PLC ± .015 [0.38] 4 PLC ± - ANGLES ± - FINISH -		NAME	S.GLATFELTER	
MATERIAL		PRODUCT SPEC	CABLE ASSY	
		APPLICATION SPEC	LGH-1 WITH LGH-4 MOLDED END	
		WEIGHT	-	
		CUSTOMER DRAWING	SCALE	2:1
		SIZE	A2	RESTRICTED TO
		CAGE CODE	00779	
		DRAWING NO	C=867566	
		SHEET	1	OF
		REV	D	

单击下面可查看定价，库存，交付和生命周期等信息

[>>TE Connectivity\(泰科\)](#)