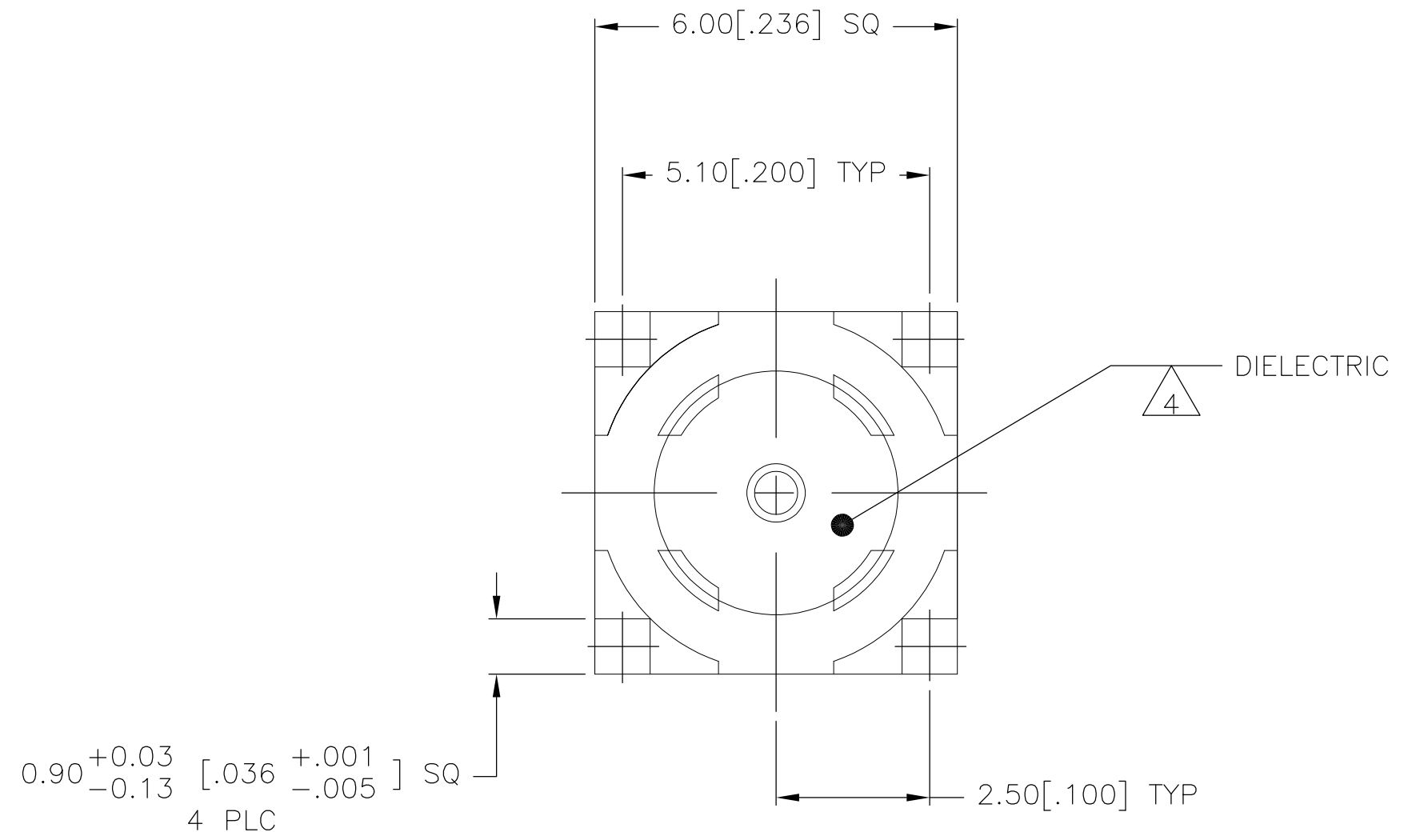
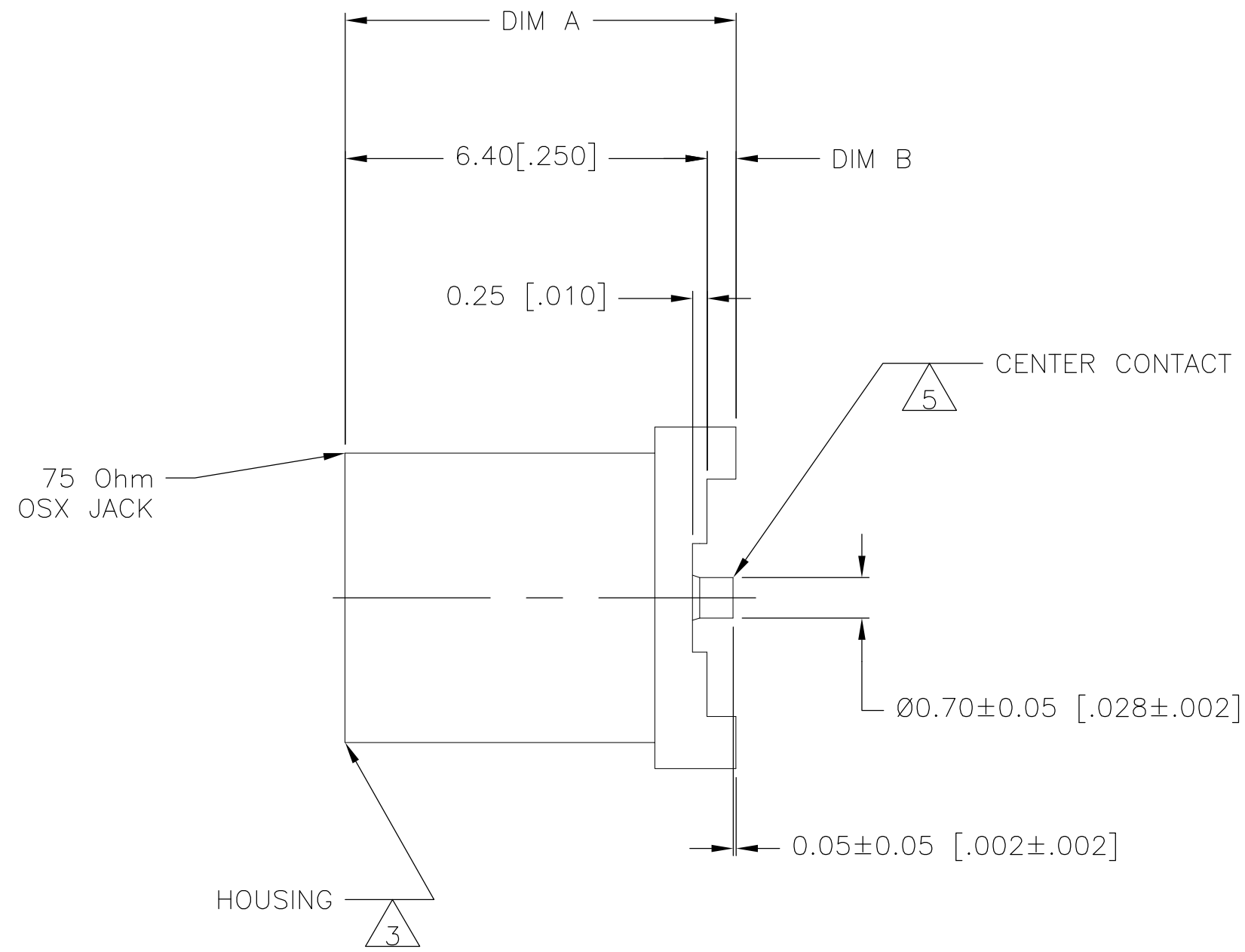


THIS DRAWING IS UNPUBLISHED. RELEASED FOR PUBLICATION
 © COPYRIGHT - By - ALL RIGHTS RESERVED.

LOC		DIST		REVISIONS			
P	LTR	DESCRIPTION		DATE	DWN	APVD	
		C1	ECR-12-005726	27MAR12	RK	MY	



- 1 GOLD PLATE PER ASTM B 488
- 2 BRIGHT NICKEL PLATE PER QQ-N-290
- 3 BRASS PER ASTM B 16
- 4 PTFE PER ASTM D 1710
- 5 BERYLLIUM COPPER PER ASTM B 197

OBSOLETE	3.80 [.155]	10.2 [.405]	1	2	1361169-2
	0.50 [.020]	6.90 [.270]	1	2	1361169-1
	DIM B	DIM A	CONTACT	HOUSING	PART NUMBER
			FINISH		

THIS DRAWING IS A CONTROLLED DOCUMENT.		DWN RMF 10-11-00	 TE Connectivity MCX 75 Ohm PRINTED CIRCUIT BOARD RECEPTACLE		
DIMENSIONS: mm [INCHES]		CHK RMF 10-11-00			
TOLERANCES UNLESS OTHERWISE SPECIFIED:		APVD RMF 10-11-00			
0 PLC ± - 1 PLC ± - 2 PLC ± 0.20 [.008] 3 PLC ± - 4 PLC ± - ANGLES ± -		PRODUCT SPEC -			
MATERIAL -	FINISH -	APPLICATION SPEC -	SIZE A2	CAGE CODE 00779	DRAWING NO C=1361169
CUSTOMER DRAWING			WEIGHT -	RESTRICTED TO -	SCALE 10:1
			SHEET 1 of 1	REV C1	

单击下面可查看定价，库存，交付和生命周期等信息

[>>TE Connectivity\(泰科\)](#)