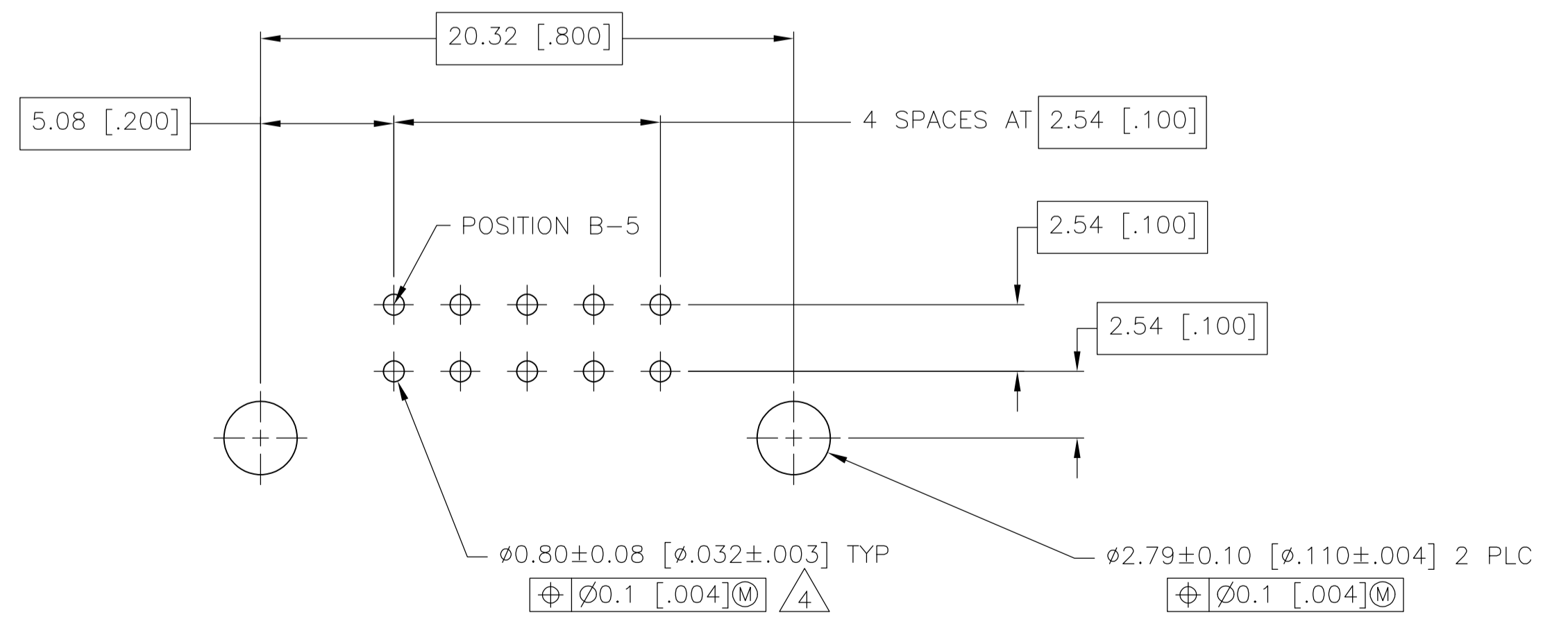
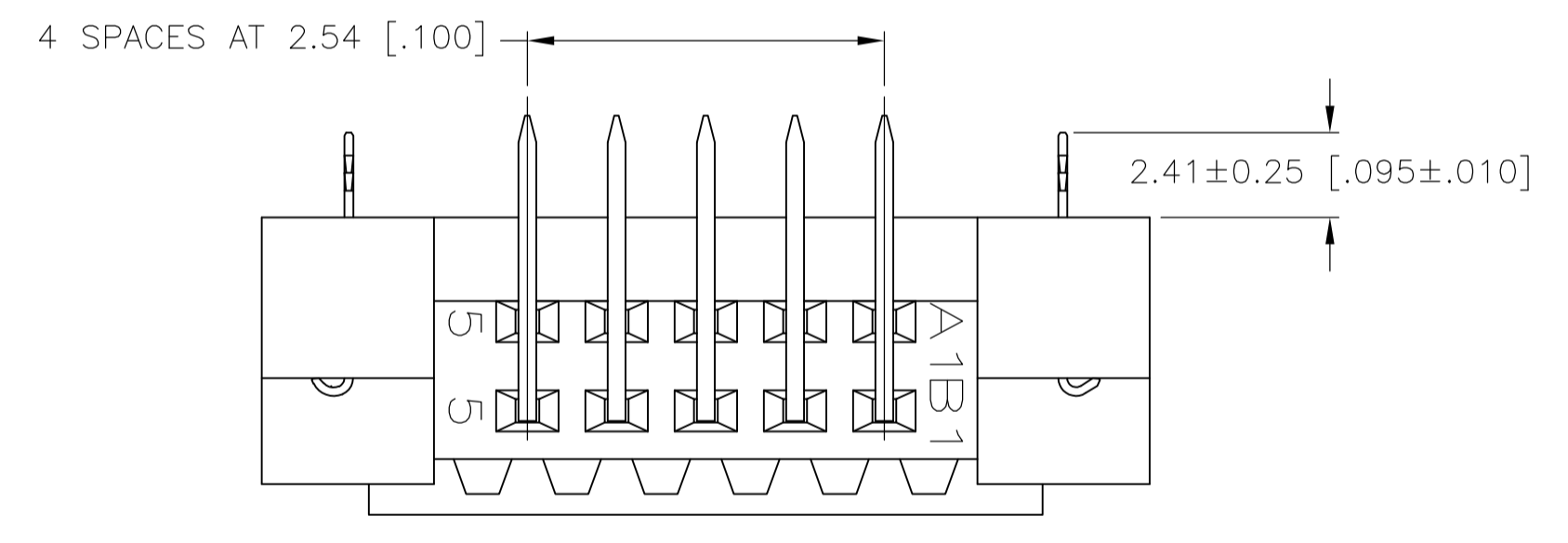
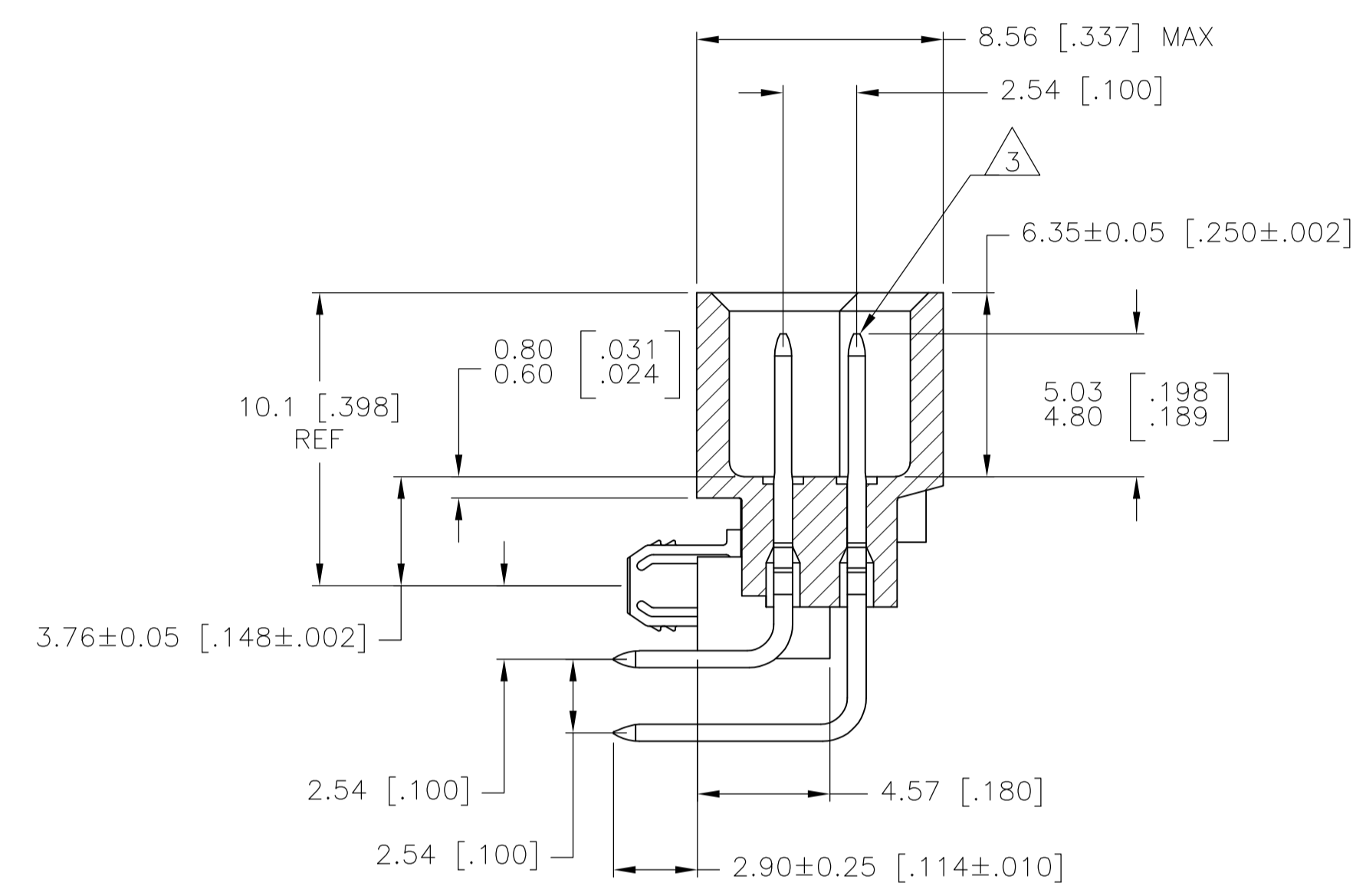
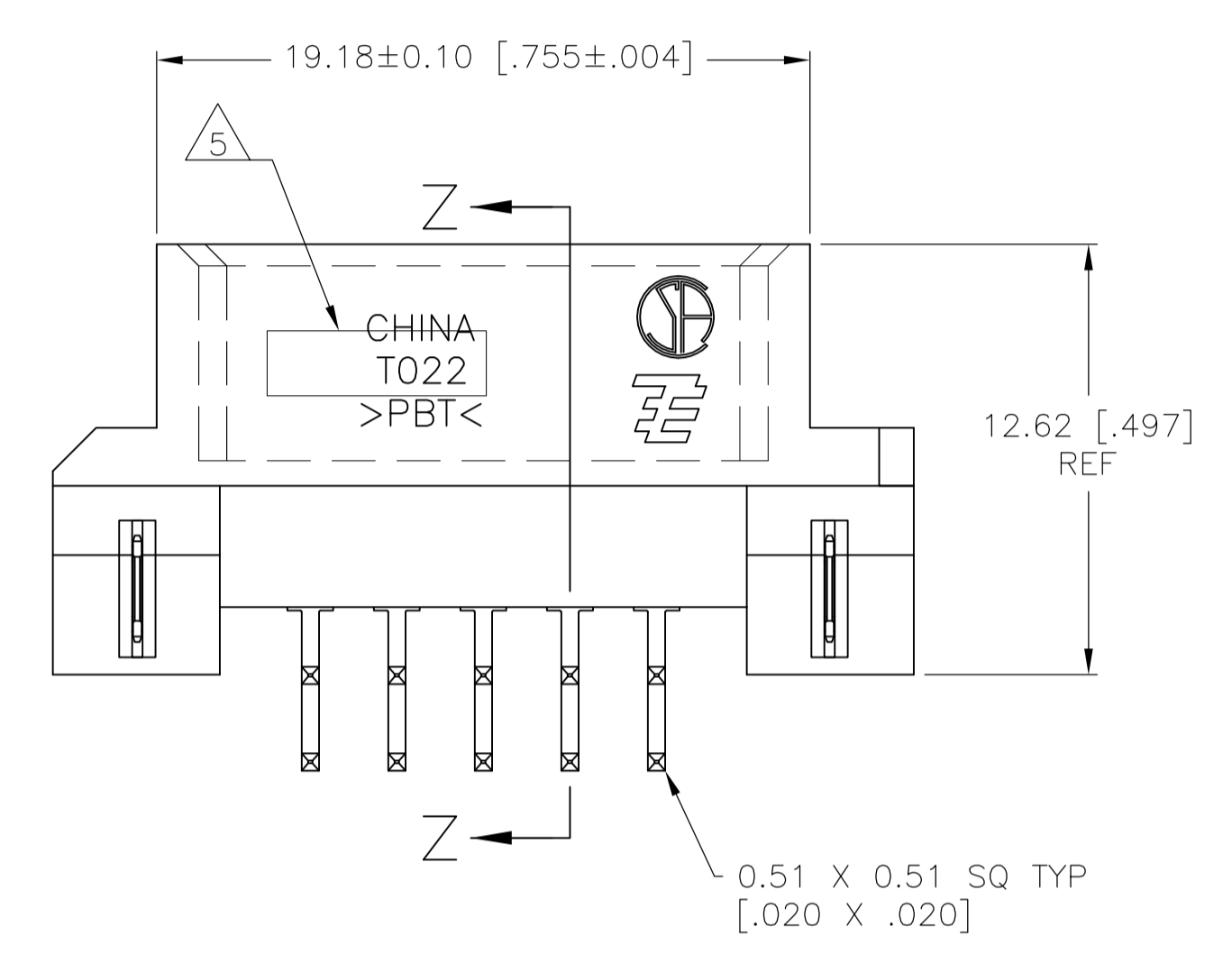
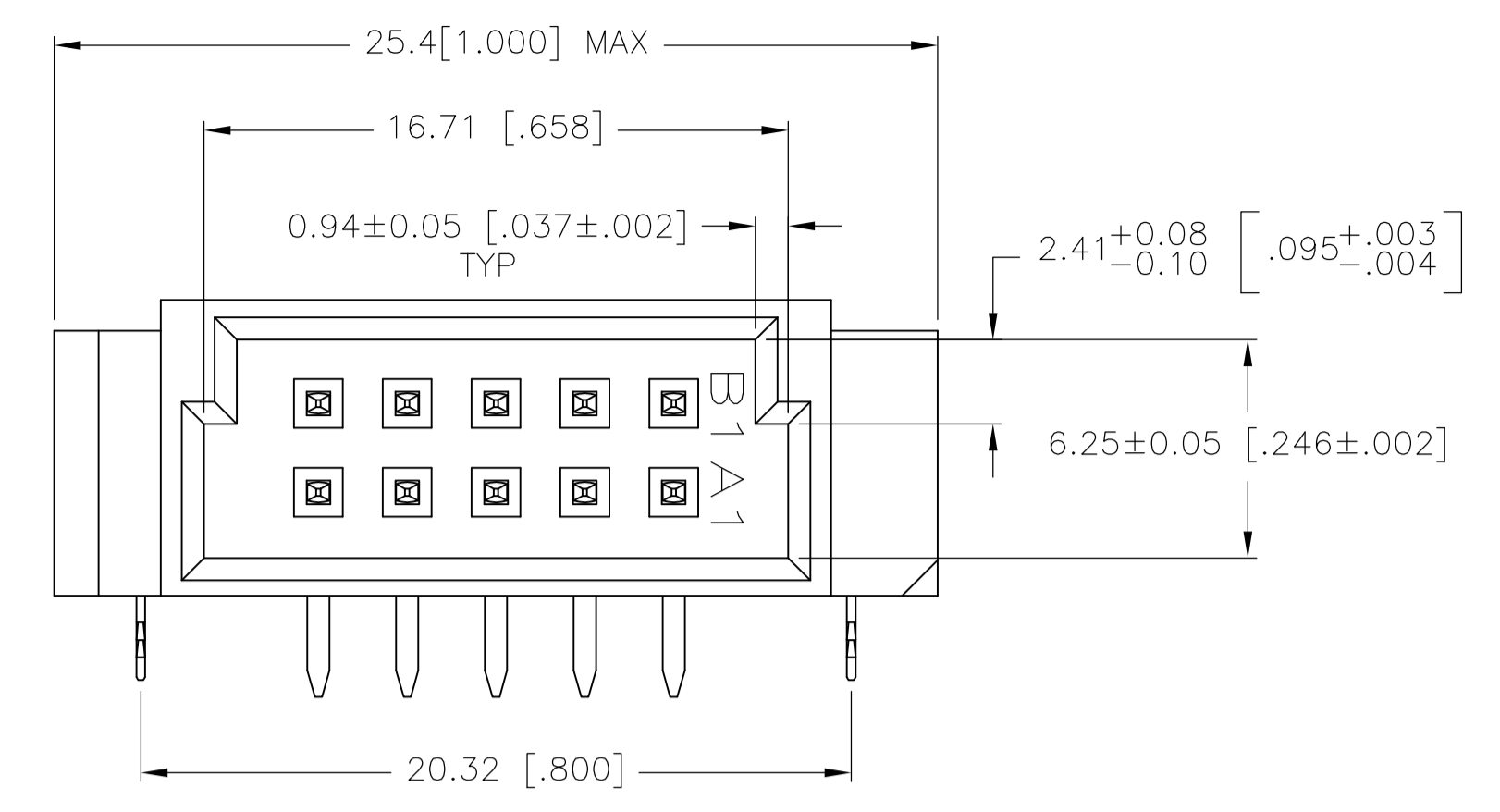


LOC		DIST		REVISIONS			
AD	00	REV	DATE	BY	CHK	APPV	
D		REVISED PER ECO-10-008084	26APR10	HMR	JG		



- 1 HOUSING MATERIAL: GLASS FILLED POLYESTER, COLOR: GRAY.
- 2 POST MATERIAL: BRASS
- 3 POST FINISH: 0.00076[.000030] MIN GOLD IN MATING AREA, 0.00254-0.00508[.000100-.000200] TIN-LEAD ON SOLDER TAILS, ALL OVER 0.00127[.000050] MIN NICKEL.
- 4 RECOMMENDED HOLE SIZE FOR MANUAL APPLICATION OF CONNECTOR ONTO PC BOARD.
- 5 PART NUMBER, DATE CODE MARKED ON OPPOSITE SIDE, THIS APPROX AREA.
- 6 CURRENT RATING - 2 AMPS MAXIMUM PER CONTACT.
- 7 POST FINISH: 0.00076[.000030] MIN GOLD IN MATING AREA, 0.00254-0.00508[.000100-.000200] MATTE TIN ON SOLDER TAILS, ALL OVER 0.00127[.000050] MIN NICKEL.

SUPERSEDED BY 5-1571433-1	10	5-1571433-1
	10	1571433-1
FINISH	NO. OF POSN	PART NUMBER

THIS DRAWING IS A CONTROLLED DOCUMENT.

DIMENSIONS: mm	TOLERANCES UNLESS OTHERWISE SPECIFIED:	0 PLC ± -	1 PLC ± -	2 PLC ± 0.13[.005]	3 PLC ± -	4 PLC ± -	ANGLES ± -
MATERIAL	SEE TABLE	WEIGHT	A1 00779 C=1571433		RESTRICTED TO		

Customer Drawing SCALE 1:1 SHEET 1 OF 1 REV D

单击下面可查看定价，库存，交付和生命周期等信息

[>>TE Connectivity\(泰科\)](#)