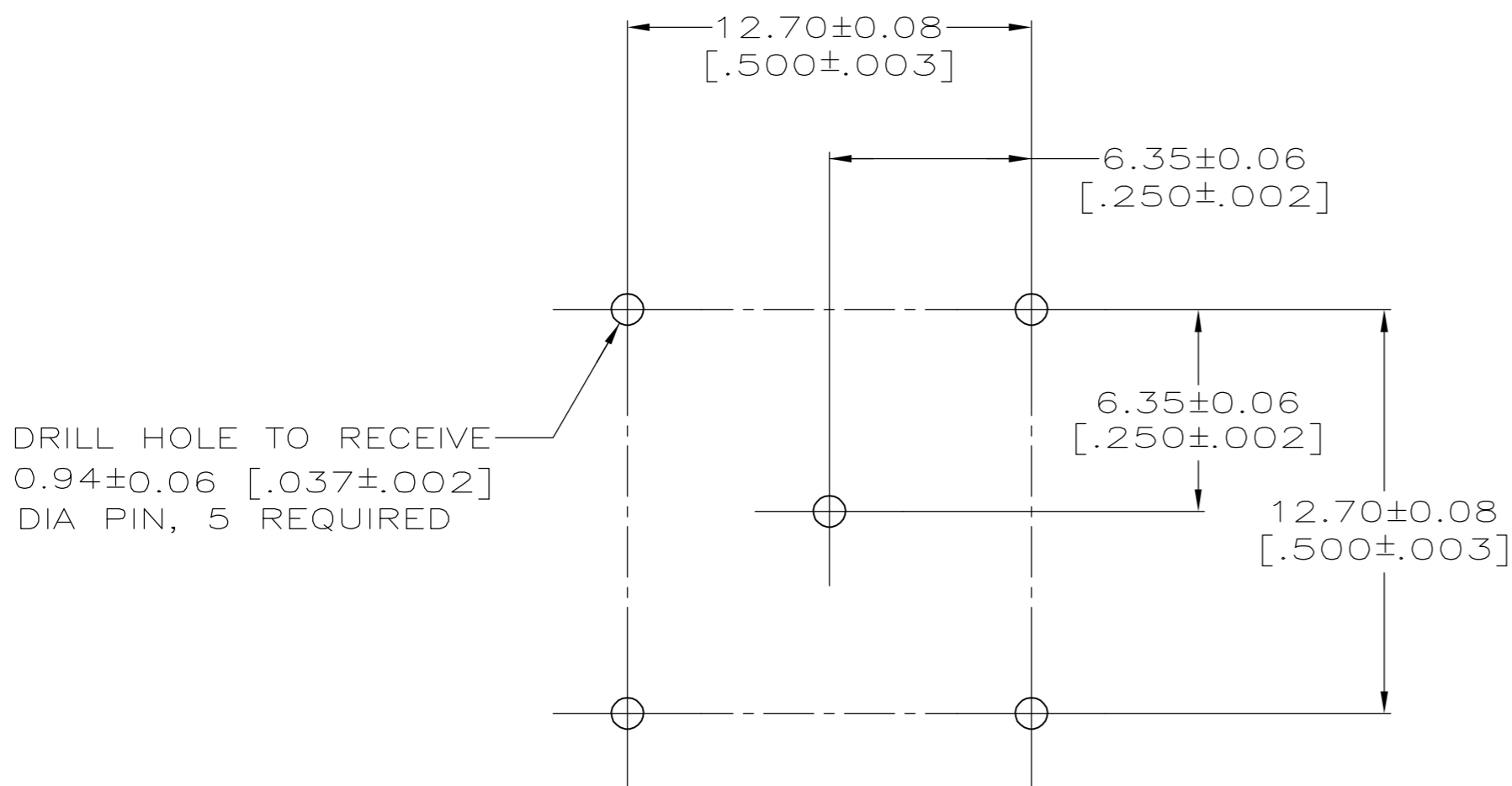
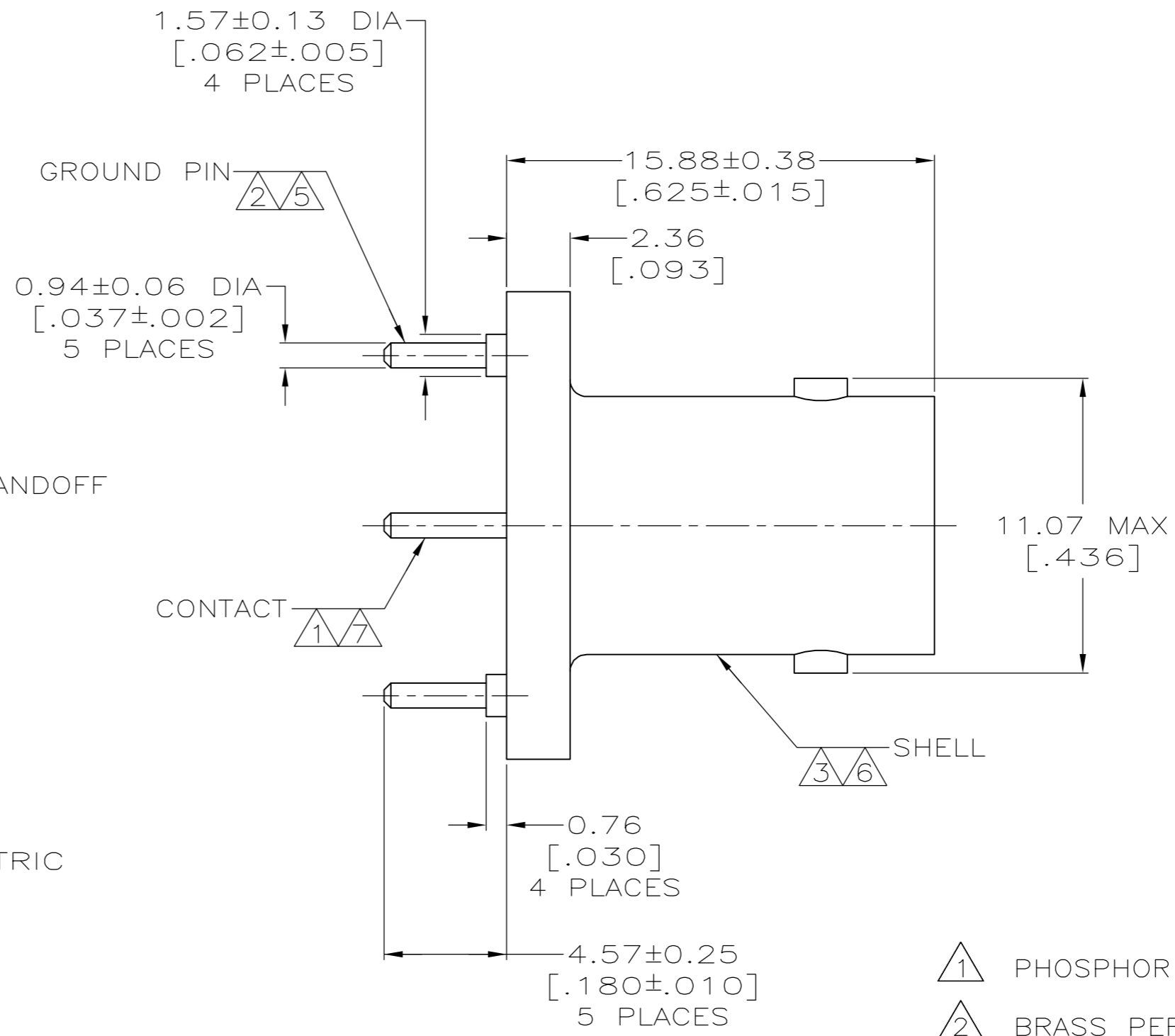
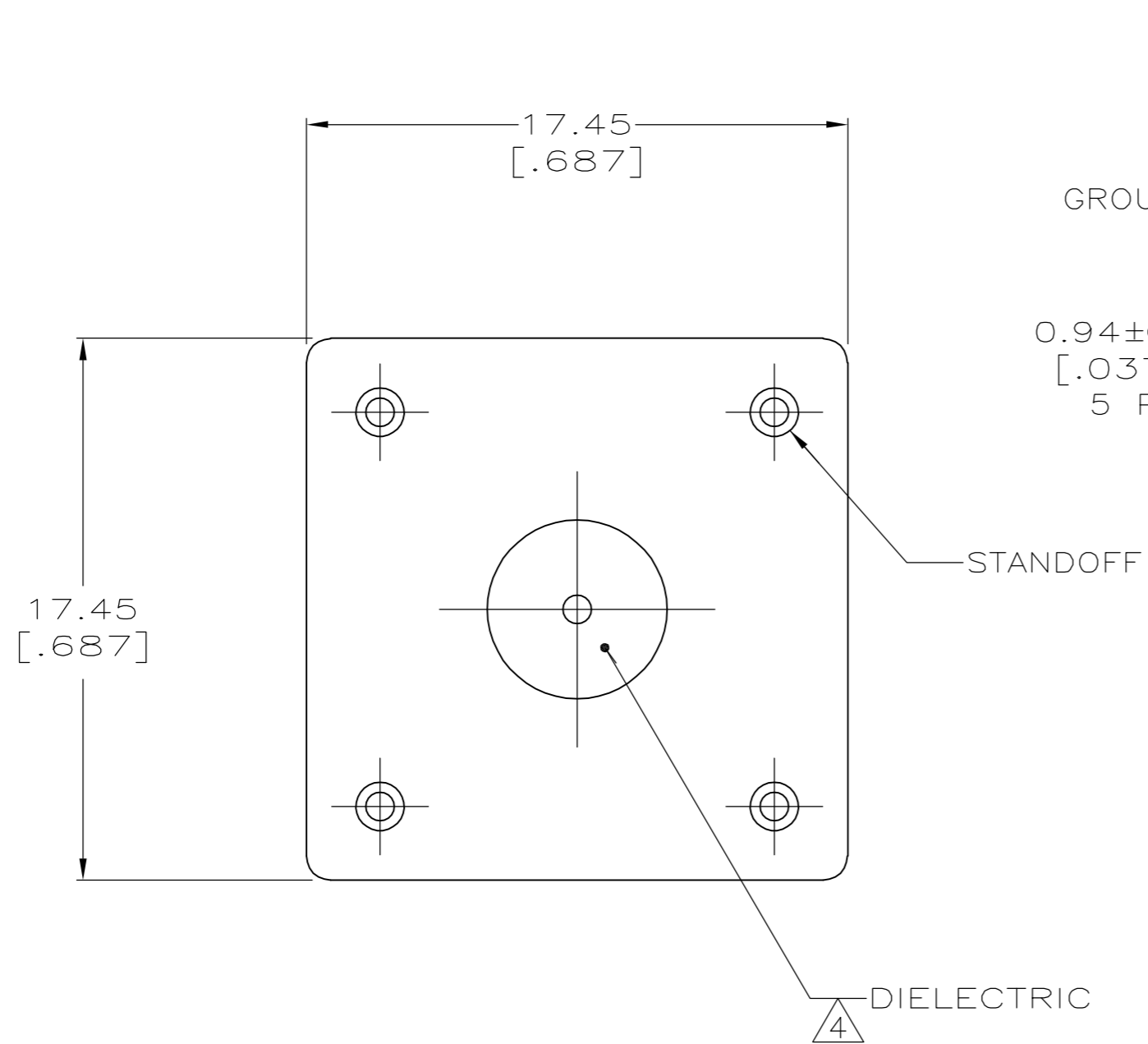


THIS DRAWING IS UNPUBLISHED. RELEASED FOR PUBLICATION
 © COPYRIGHT BY TYCO ELECTRONICS CORPORATION. ALL RIGHTS RESERVED.

LOC		DIST		REVISIONS			
P	LTR	DESCRIPTION	DATE	DWN	APVD		
AJ	16	E	PER EC 0S14-0184-04	12JAN05	BM	JL	



- ① PHOSPHOR BRONZE PER QQ-B-750.
- ② BRASS PER QQ-B-626.
- ③ ZINC PER QQ-Z-363.
- ④ POLYESTER, PBT, PER MIL-M-24519.
- ⑤ TIN PLATE PER ASTM-B-545
2.54 μm [0.000100] MINIMUM THICK.
- ⑥ NICKEL PLATE PER QQ-N-290
3.81 μm [0.000150] MINIMUM THICK.
- ⑦ GOLD PLATE PER MIL-G-45204,
0.76 μm [0.000030] MINIMUM THICK.
- ⑧. SEE INSTRUCTION SHEET 408-9889.

414460-1
PART NO

THIS DRAWING IS A CONTROLLED DOCUMENT.		DWN	J. LIPPERT	10-16-92	 Tyco Electronics Corporation Harrisburg, PA 17105-3608	
DIMENSIONS: INCHES		CHK	A. GABANY	10-22-92		
TOLERANCES UNLESS OTHERWISE SPECIFIED:		APVD	A. GABANY	10-22-92		
0 PLC ± - 1 PLC ± - 2 PLC ± 0.20 [0.008] 3 PLC ± - 4 PLC ± - ANGLES ± -		PRODUCT SPEC	108-12078			
MATERIAL SEE NOTES 1 - 4		FINISH	SEE NOTES 5 - 7		NAME	JACK, 50 OHM, VERTICAL, PCB, BNC
		WEIGHT	-		SIZE	A2
		CUSTOMER DRAWING	SCALE	5:1	CAGE CODE	00779
					DRAWING NO	C=414460
					RESTRICTED TO	-
					SHEET	1 OF 1
					REV	E

单击下面可查看定价，库存，交付和生命周期等信息

[>>TE Connectivity\(泰科\)](#)