

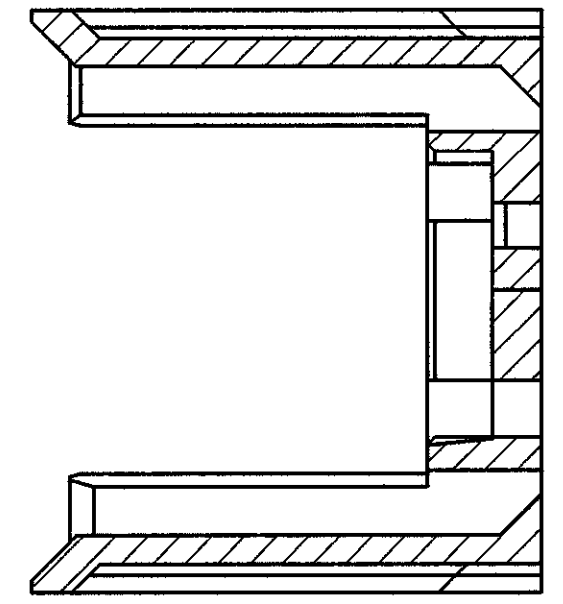
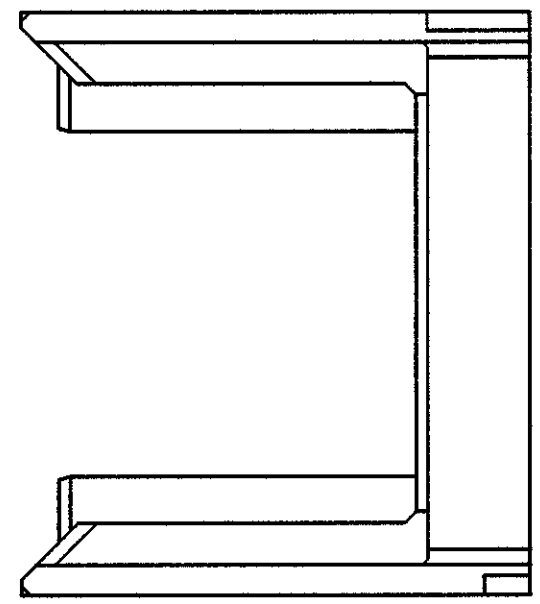
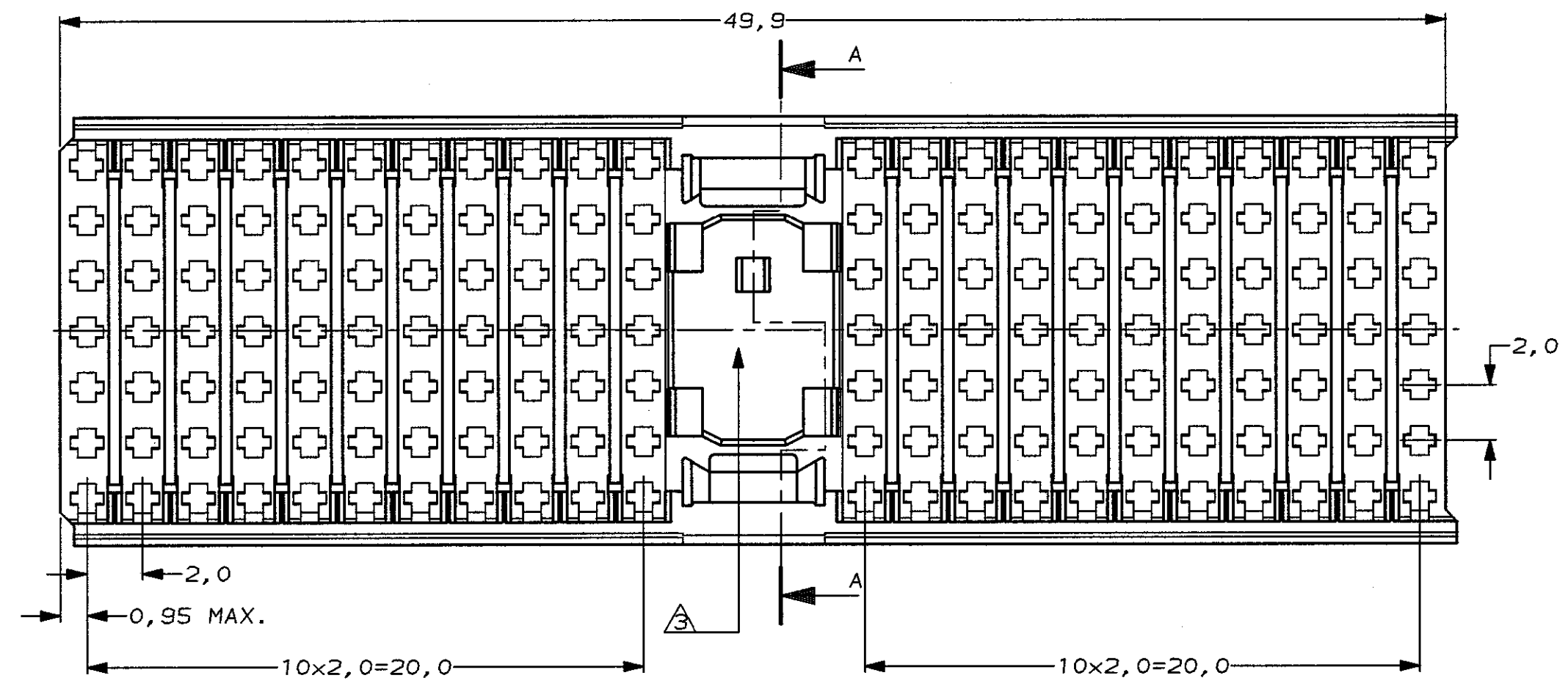
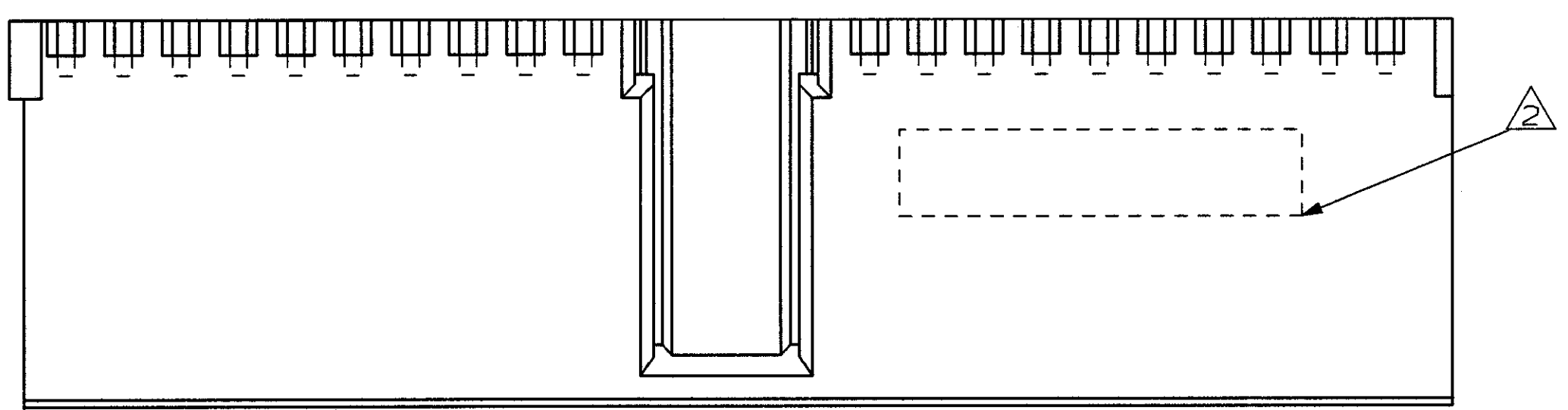
DO NOT SCALE
DIMENSIONS IN mm

METRIC

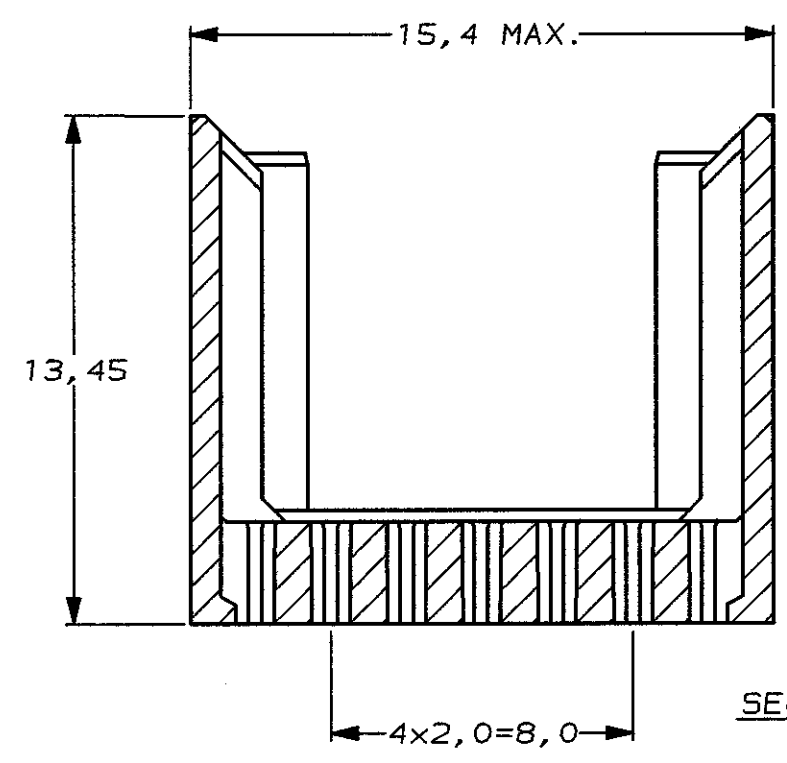
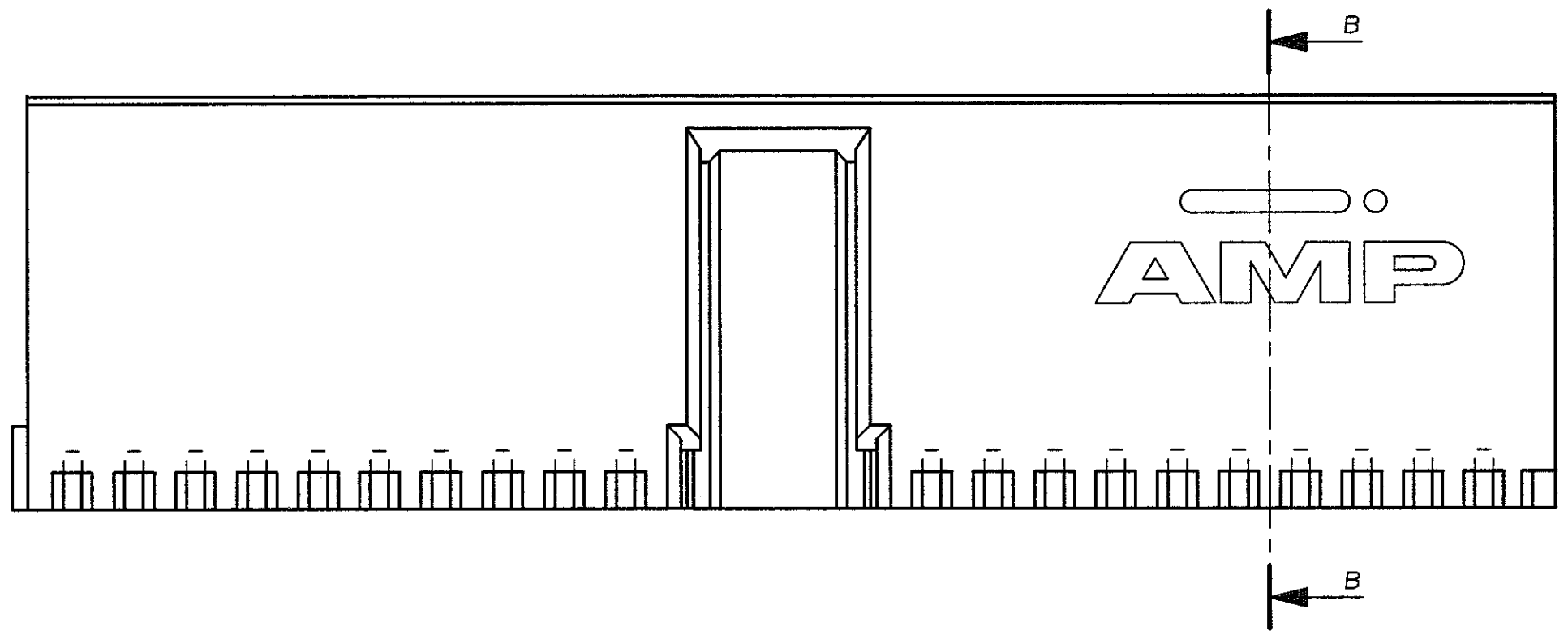
THIRD ANGLE
PROJECTION

NOTES:

- 1 MATERIAL HOUSING: GLASSFILLED POLYESTER.
- 2 HOUSING PRINTED WITH PARTNUMBER AND DATE CODE.
- 3 AREA RESERVED FOR KEYING PART (BASIC P.N. 100525).




SECTION A-A



SECTION B-B

106137-2 AS SHOWN

FINISH		MATERIAL		PARTNUMBER	
-	-	-	-	CUSTOMER DRAWING FOR REFERENCE ONLY WILL NOT BE UPDATED	
© COPYRIGHT 1996 BY AMP-HOLLAND B.V. ALL INTERNATIONAL RIGHTS RESERVED. AMP PRODUCTS MAY BE COVERED BY U.S. AND FOREIGN AND/OR PATENTS PENDING.					
THIS DRAWING IS UNPUBLISHED AND NOT BE RELEASED FOR PUBLICATION					
C	EH-0764-96	DT	FvK	21-JUN-96	 AMP-HOLLAND B.V. s-Hertogenbosch, The Netherlands.
B	EH-0238-93	LvdH	DS	2 JUNE '93	
A	EH-0081-93	S.M.	-	04-02-93	
O	H-10164	JvL	TS	30-11-92	
LTR. REVISION RECORD		DR.	CHK.	DATE	NAME Z-PACK 2mm HM 110 POS. SHROUD TYPE A
DR.:	D. TRUREN	CHK.:	F. KONINGSBERG	APP.:	B. MOOIJ
DATE:	21-JUN-96	DATE:	21-JUN-96	DATE:	6-9-96
DWG. No.		REV. LTR.		SHEET	
C-106137		C		1 OF 1	

单击下面可查看定价，库存，交付和生命周期等信息

[>>TE Connectivity\(泰科\)](#)