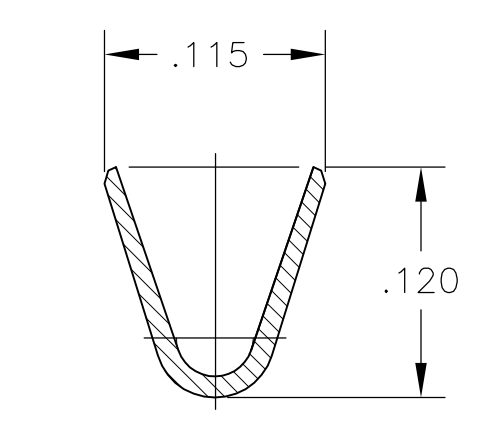
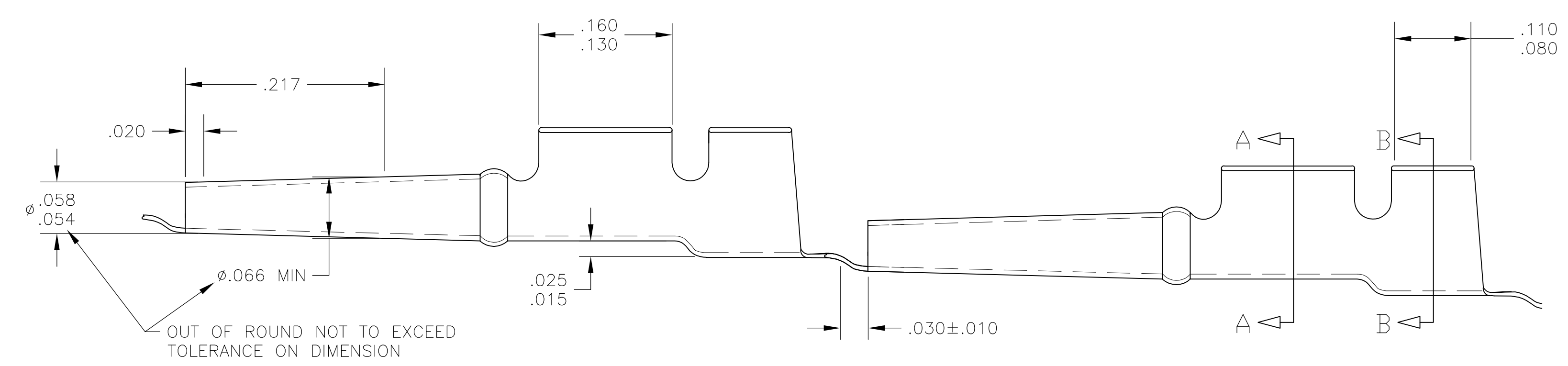
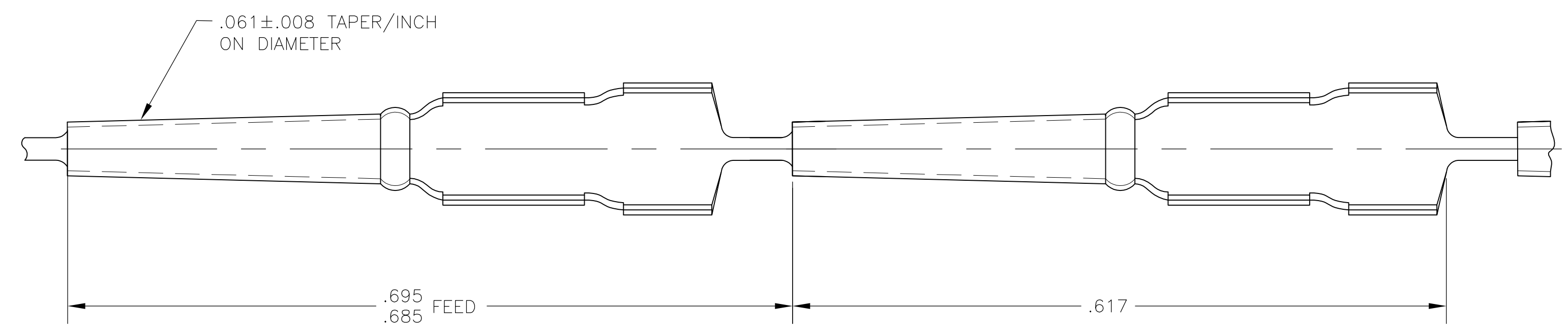
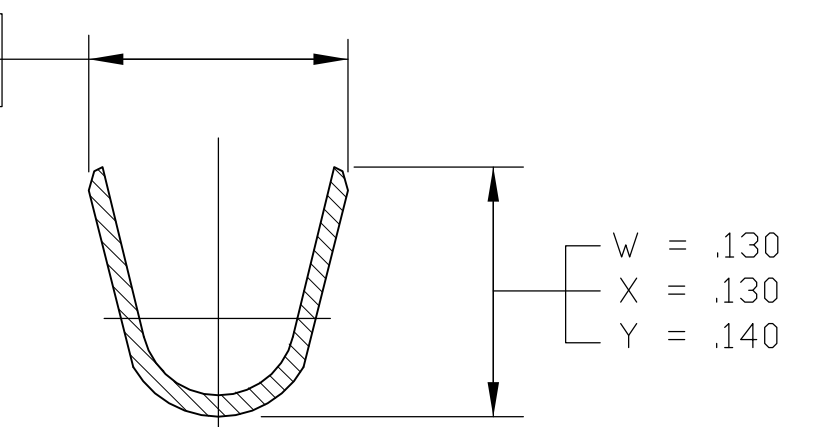


REVISIONS					
P	LTR	DESCRIPTION	DATE	DWN	APVD
AN	REV PER ECO	17-010065	8-7-17	CT	DM

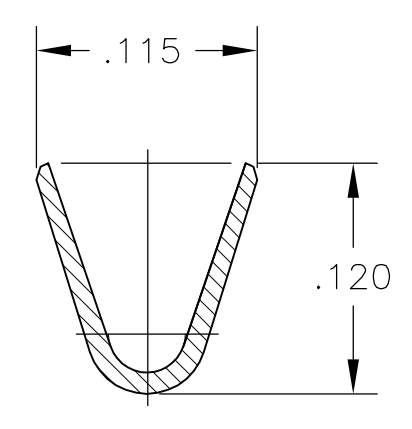
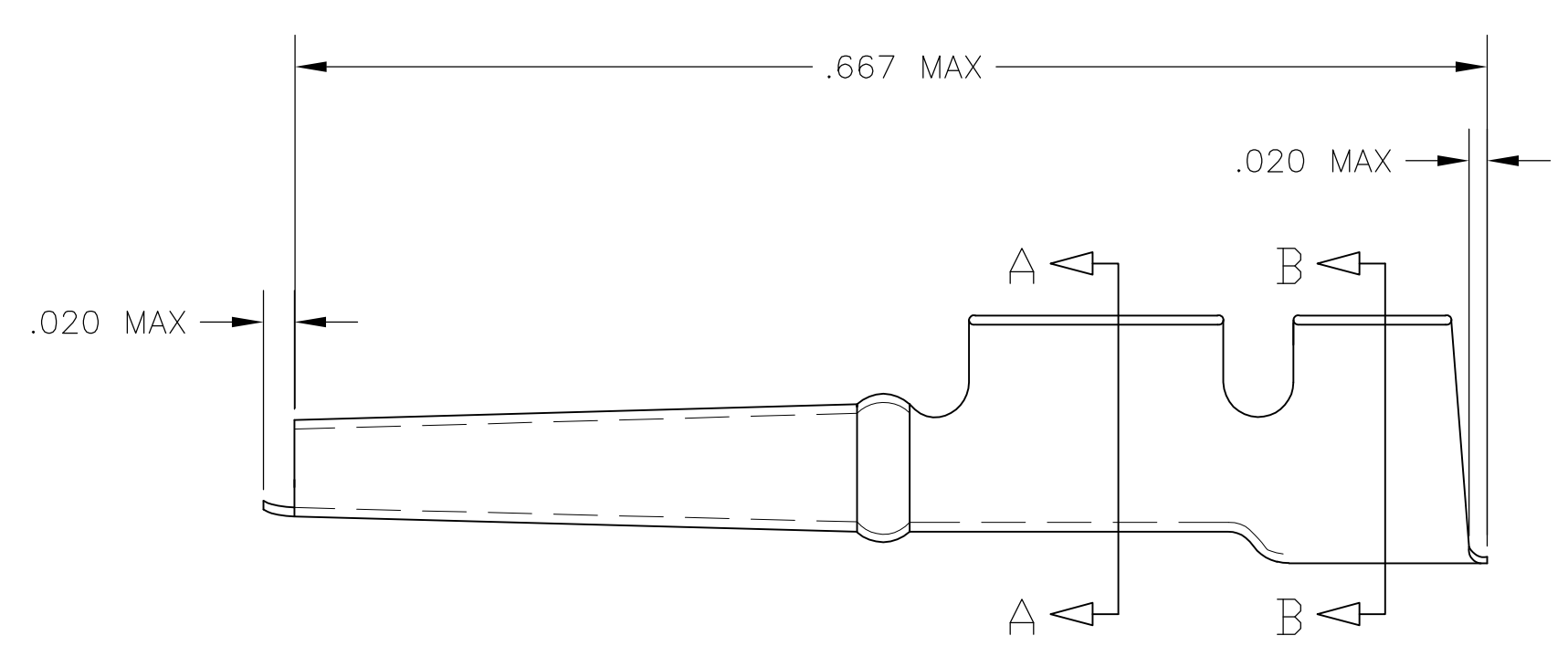
1 OBSOLETE PART NUMBER



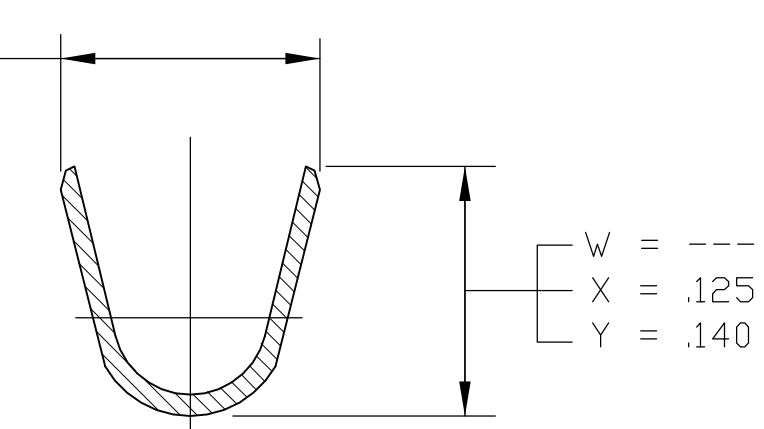
W = .135  
X = .155  
Z = .125



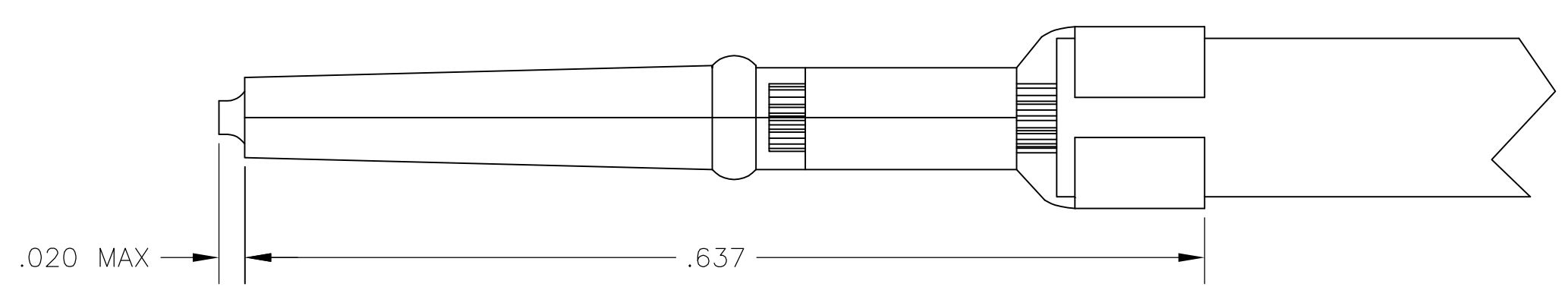
STRIP



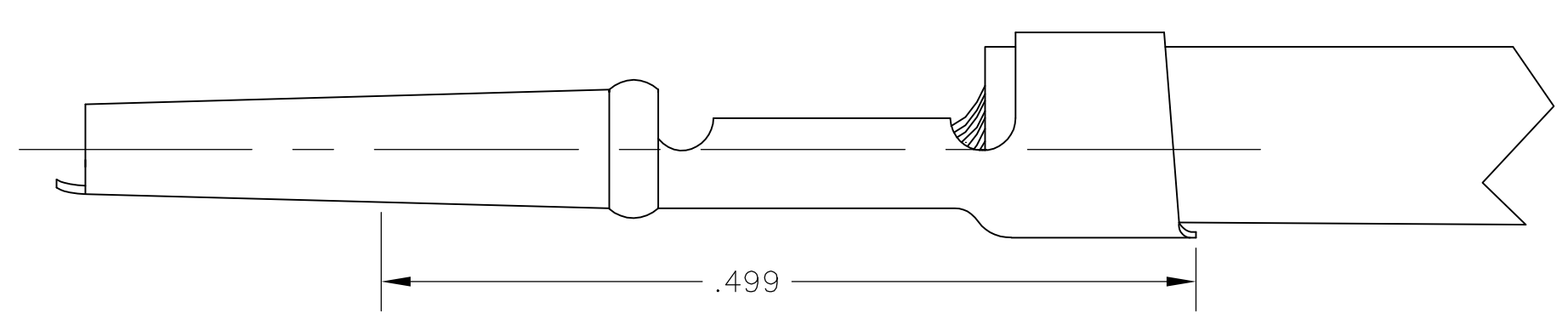
W = ---  
X = .132  
Z = .125



LOOSE PIECE



CRIMPED VERSION



MAX INSTALLED EXTENSION

.054	47043	380306-3	UNPLATED	X	.080-.100	20-18	41997	41991
.054	47043	380306-3	.00003 GOLD OVER .00005 NICKEL	X	.080-.100	20-18	5-41667-0	5-41650-0
.054	47043	380306-3	.0002 SILVER	X	.080-.100	20-18	41669	41652
.054	47043	380306-3	.0001 MATTE TIN	X	.080-.100	20-18	41668	41651
.054	47043	380306-3	.0001 BRIGHT TIN-LEAD	X	.080-.100	20-18	41667	41650
CRIMP HEIGHT	HAND TOOL	INSERT TOOL	FINISH	INSUL CODE	INSUL SIZE	WIRE SIZE	LOOSE PIECE PART NO.	PART NO.

THIS DRAWING IS A CONTROLLED DOCUMENT.

DIMENSIONS: INCHES

TOLERANCES UNLESS OTHERWISE SPECIFIED:

0. PLC	± .005
1. PLC	± .005
2. PLC	± .005
3. PLC	± .005
4. PLC	± .005
ANGLES	± .5°

MATERIAL: .0160 COML BRASS

FINISH: -

WEIGHT: 0.000000

CUSTOMER DRAWING

APPROVED: J. YEAGER, J. WEAVER

DATE: 16DEC09

NAME: J. WEAVER

SIZE: A1

SCALE: 10:1

SHEET: 1 OF 1

REV: AN

STE TE Connectivity

TAPER PIN, 53 SERIES WITH INSULATION SUPPORT

单击下面可查看定价，库存，交付和生命周期等信息

[>>TE Connectivity\(泰科\)](#)