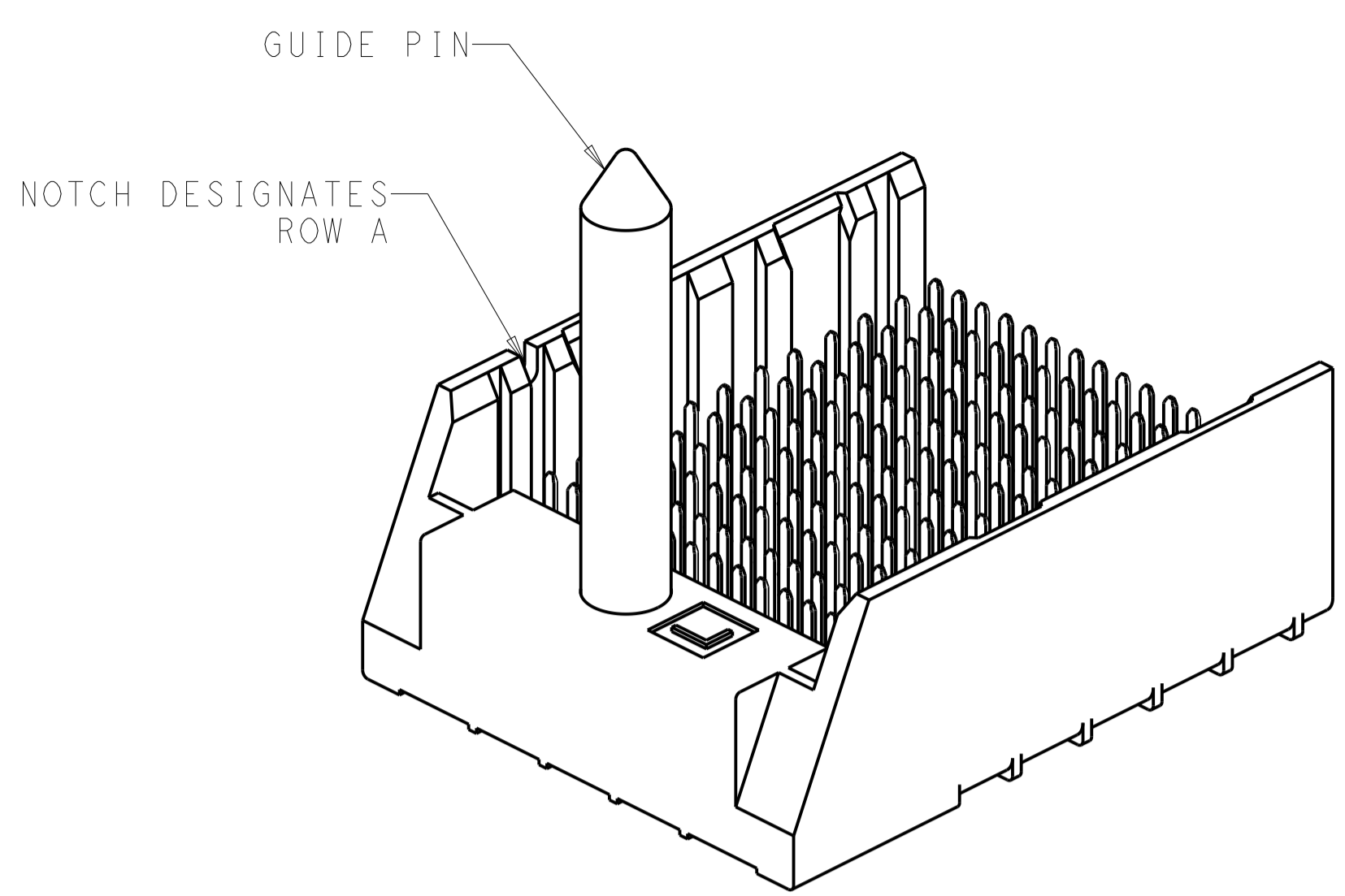


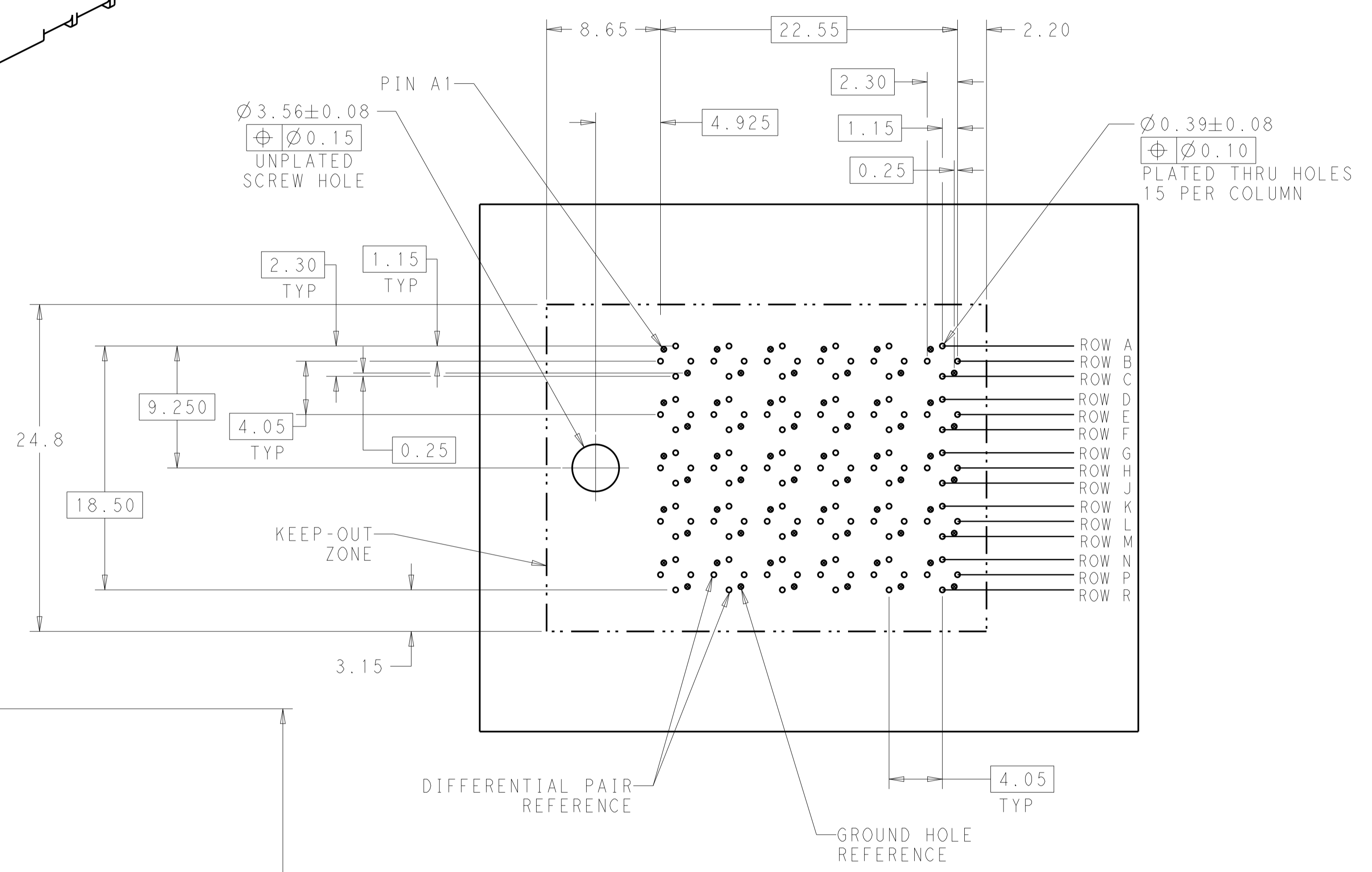
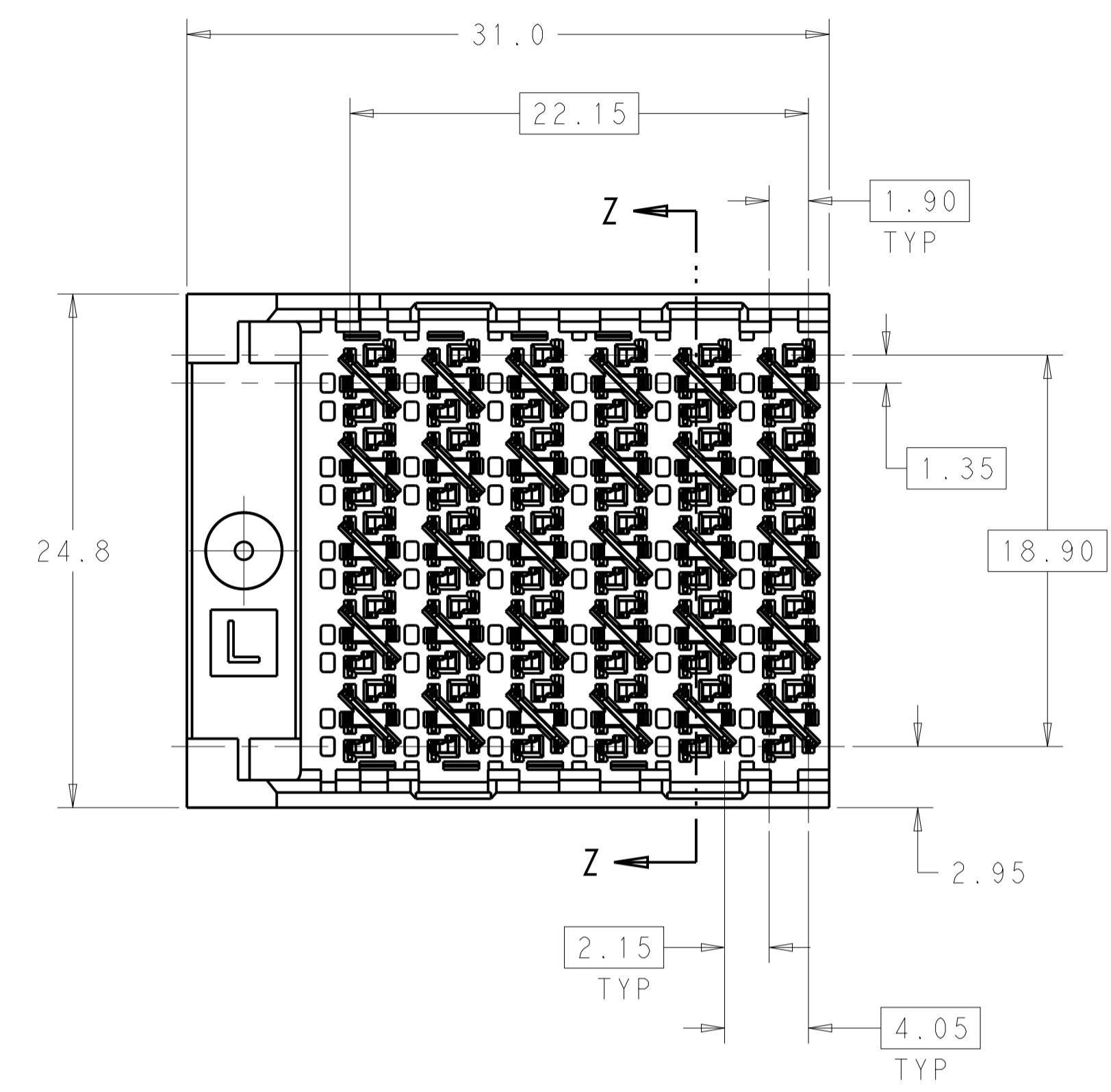
REVISIONS					
P.	LTN	DESCRIPTION	DATE	DMN	APVD
B		REVISED PER ECO-14-013272	09SEP2014	AP	DD



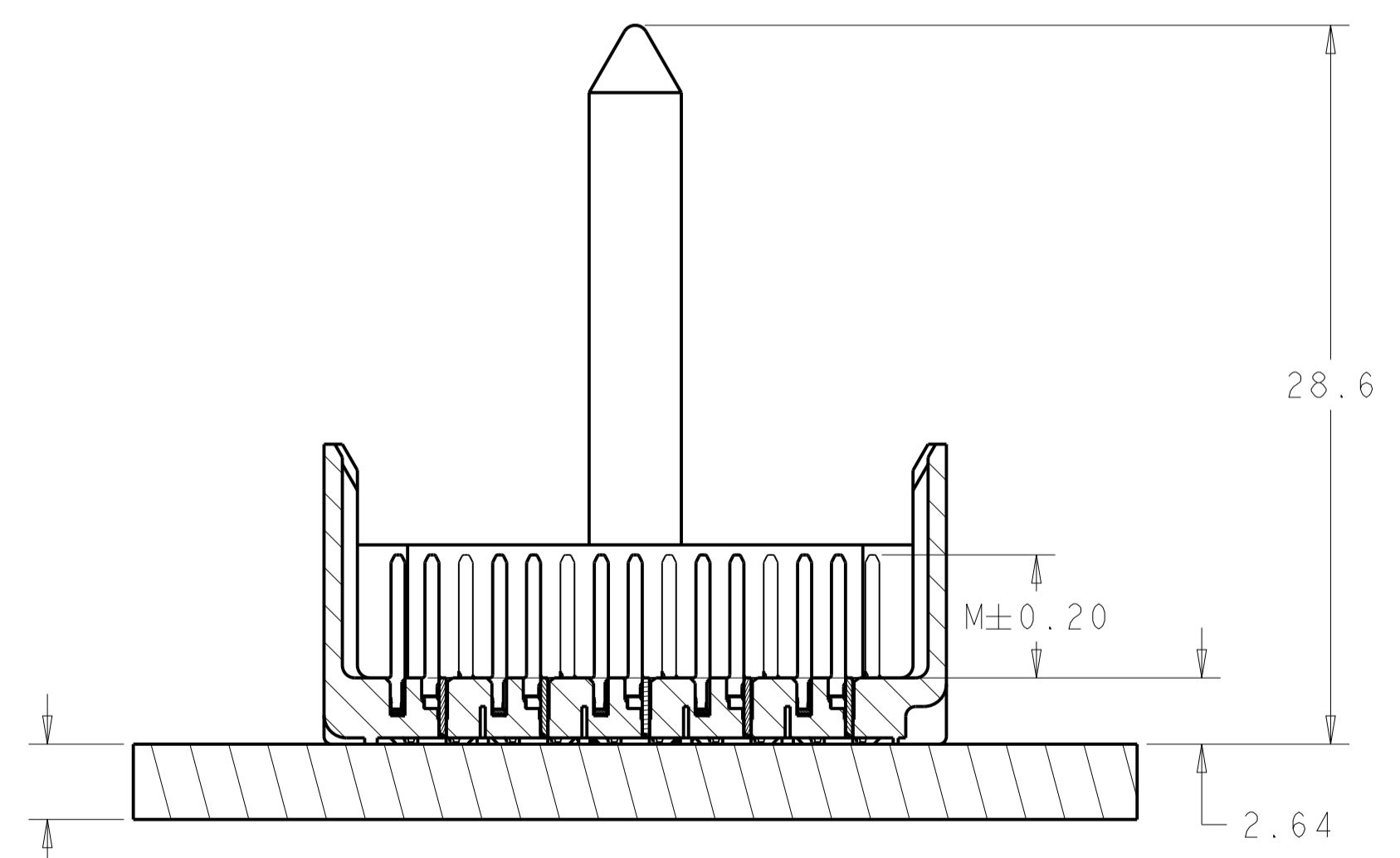
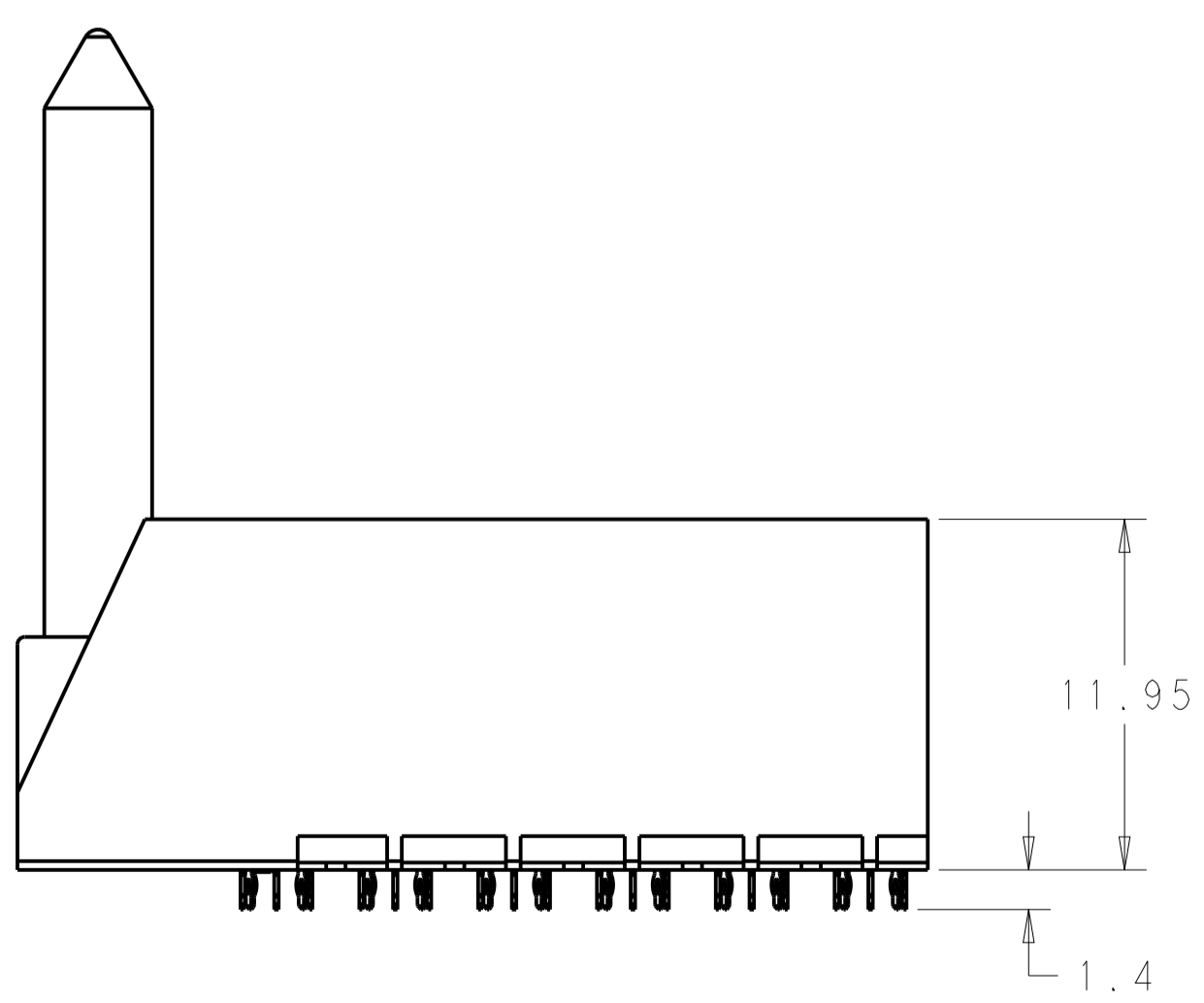
△ MATERIAL:
HOUSING: LCP GLASS FILLED UL94V-0
TERMINALS: HIGH PERFORMANCE COPPER ALLOY

△ FINISH:
30μ" MIN GOLD IN CONTACT AREA
SELECTIVE TIN ON PCB TAILS.
NICKEL OVERALL.

3. SCREWS PACKAGED IN THE END OF PACKAGING TUBE.



LEFT GUIDED
BACKPLANE HOLE PATTERN
(CONNECTOR SIDE)
SCALE 4:1



3.00 MIN BOARD THICKNESS

SECTION Z-Z

△	5.5	2143569-2
△	4.9	2143569-1
FINISH	DIM M	PART NUMBER

THIS DRAWING IS A CONTROLLED DOCUMENT.		DMN J. K. SHOBER 18AUG2010	TE Connectivity IMPACT, 5 PAIR, 12 COLUMN, LEFT GUIDED RIGHT END WALL ASSEMBLY, ORTHOGONAL, 0.39 PTH
DIMENSIONS: mm		CHK J. EARY 18AUG2010	
TOLERANCES UNLESS OTHERWISE SPECIFIED:		APVD J. EARY 18AUG2010	NAME
0 PLC	±	PRODUCT SPEC	SIZE
1 PLC	±0.25	APPLICATION SPEC	CAGE CODE
2 PLC	±0.13	WEIGHT	DRAWING NO
3 PLC	±	CUSTOMER DRAWING	RESTRICTED TO
4 PLC	±	SCALE	1 OF 1
ANGLES	±0	SHEET	REV
FINISH	SEE TABLE	SCALE	B

A100779C=2143569

单击下面可查看定价，库存，交付和生命周期等信息

[>>TE Connectivity\(泰科\)](#)