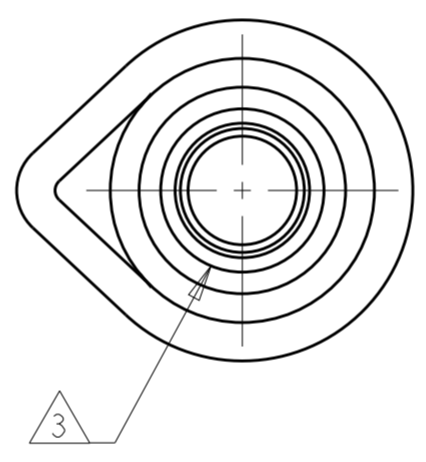
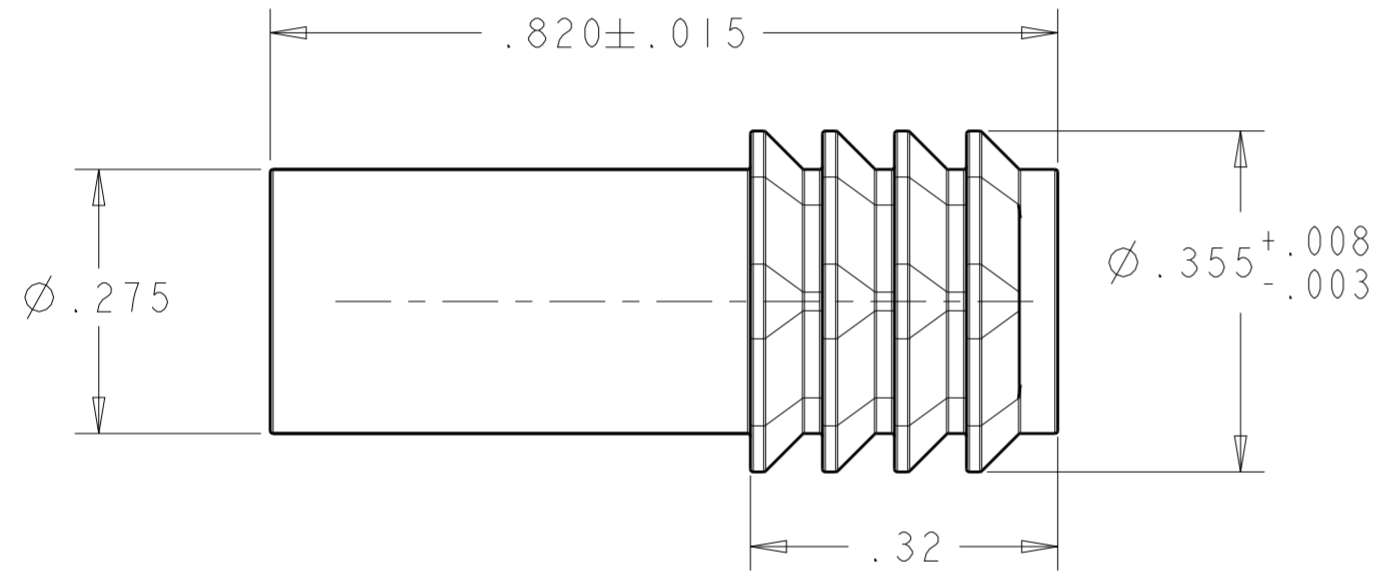
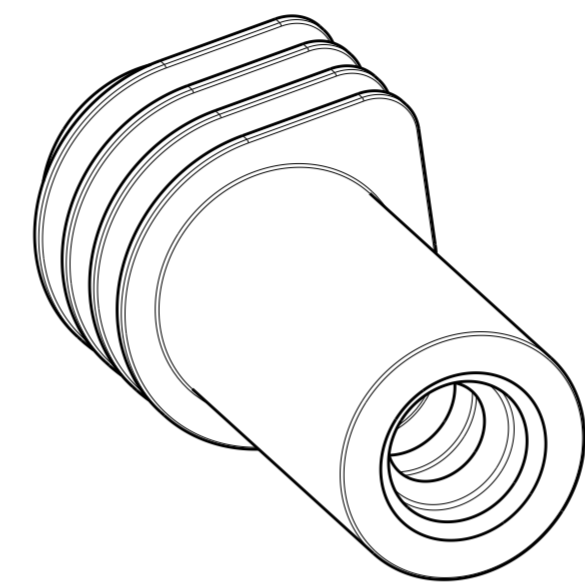
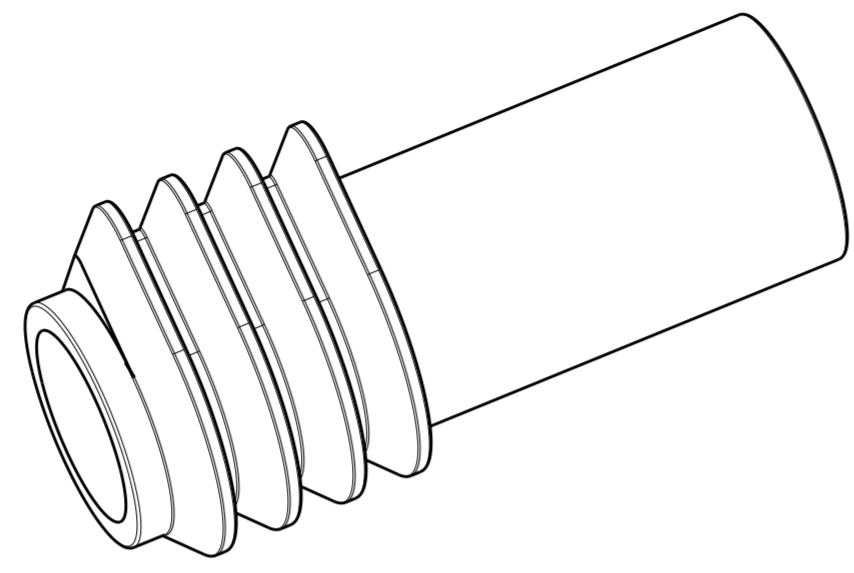


THIS DRAWING IS UNPUBLISHED. RELEASED FOR PUBLICATION 20
 © COPYRIGHT 20 BY - ALL RIGHTS RESERVED.

| REVISIONS | | | | |
|-----------|-----|-----------------------|--------|-------|
| P | LTR | DESCRIPTION | DATE | APVD |
| E | | REV PER ECO 16-009873 | 7-1-16 | CT DM |
| | | | | |
| | | | | |



| | | | |
|----------|-----|--------------------------|-------------|
| | 1 | △5 | 1811481-5 |
| OBSOLETE | 500 | WIRE SEAL FOR QUAD CABLE | 1811481-4 |
| OBSOLETE | 100 | WIRE SEAL FOR QUAD CABLE | 1811481-3 |
| OBSOLETE | 10 | WIRE SEAL FOR QUAD CABLE | 1811481-2 |
| | - | - | 1811481-1 |
| | △4 | PACKAGE QTY | DESCRIPTION |
| | | | PART NUMBER |

- △1 MATERIAL: SELF LUBRICATING SILICONE PER ASTM D2000
- 2. COLOR: BLUE
- △3 INSIDE DIAMETER TO SEAL OFF ON .145-.175 INCH OUTSIDE DIAMETER CABLE
- △4 INDIVIDUAL SEAL, PN 1811481-1 PACKAGED IN POLY BAGS IN QUANTITY PER TABLE.
- △5 PACKAGE ONE PER BAG AND MARK WITH BACS45E1, TE CONNNECTIVITY, 00779, DATE CODE AND DO NOT REMOVE FROM PACKAGE UNTIL READY FOR USE. (WHEN INSPECTION REQUIRED, REPACKAGE AND RESEAL).

THIS DRAWING IS A CONTROLLED DOCUMENT.

| | | | | |
|-------------------|--|---|-----------------------------------|------------------------|
| DIMENSIONS: IN | TOLERANCES UNLESS OTHERWISE SPECIFIED: 0 PLC ± 1 PLC ± 2 PLC ±.01 3 PLC ±.005 4 PLC ± ANGLES ± FINISH | DWN 03JAN2005 Brent D. Yohn CHK 03JAN2005 R.P. WALTER APVD 03JAN2005 R.P. WALTER | TE Connectivity | |
| MATERIAL - △1 | | PRODUCT SPEC - | NAME BOOT, SEAL, WIRE, QUADRAX | |
| | | APPLICATION SPEC - | SIZE A200779 | CAGE CODE C-1811481 |
| | | WEIGHT - | SCALE 5:1 | SHEET 1 |
| | | CUSTOMER DRAWING | RESTRICTED TO - | REV E |

单击下面可查看定价，库存，交付和生命周期等信息

[>>TE Connectivity\(泰科\)](#)