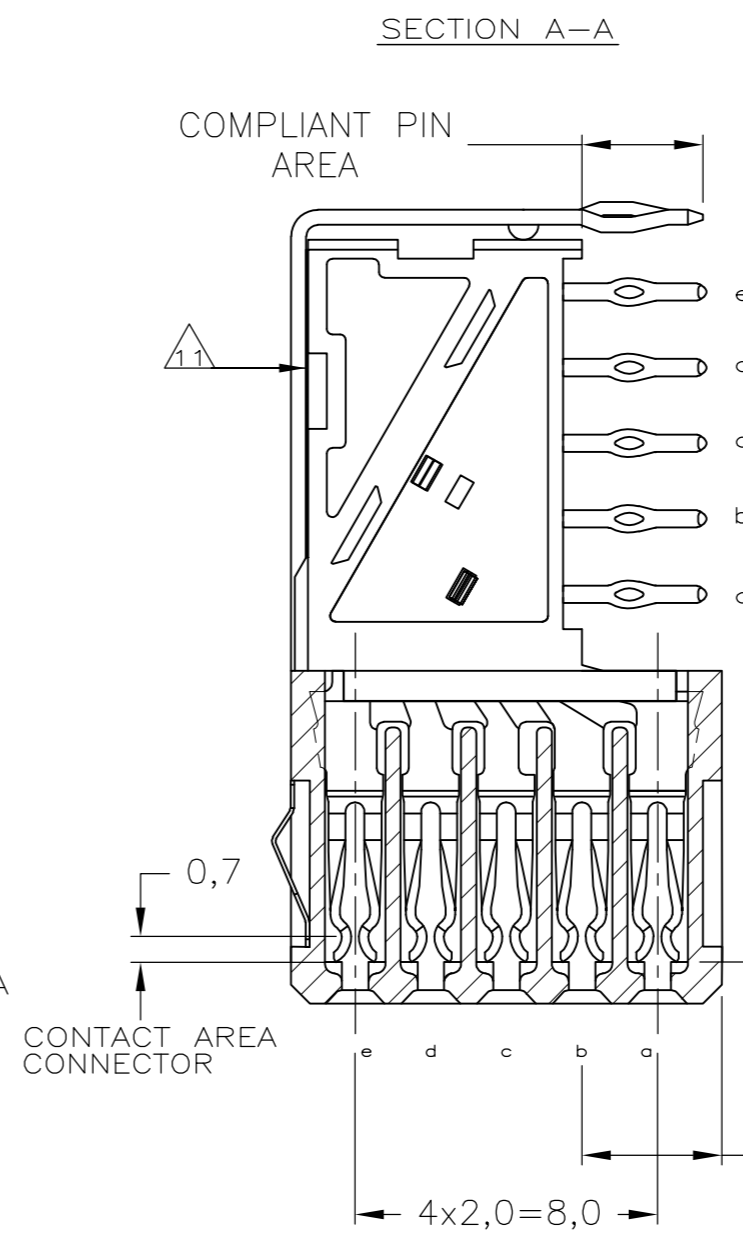
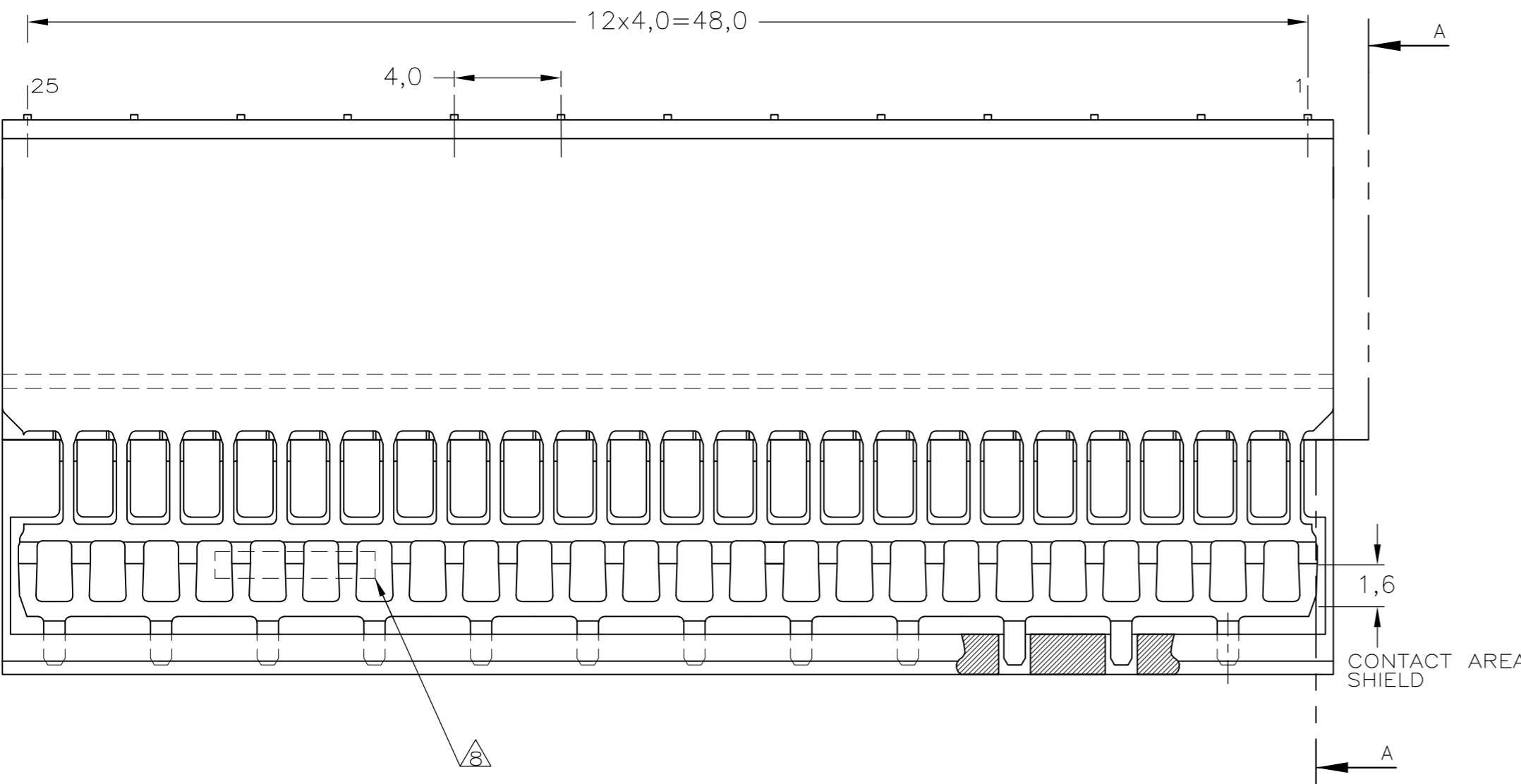
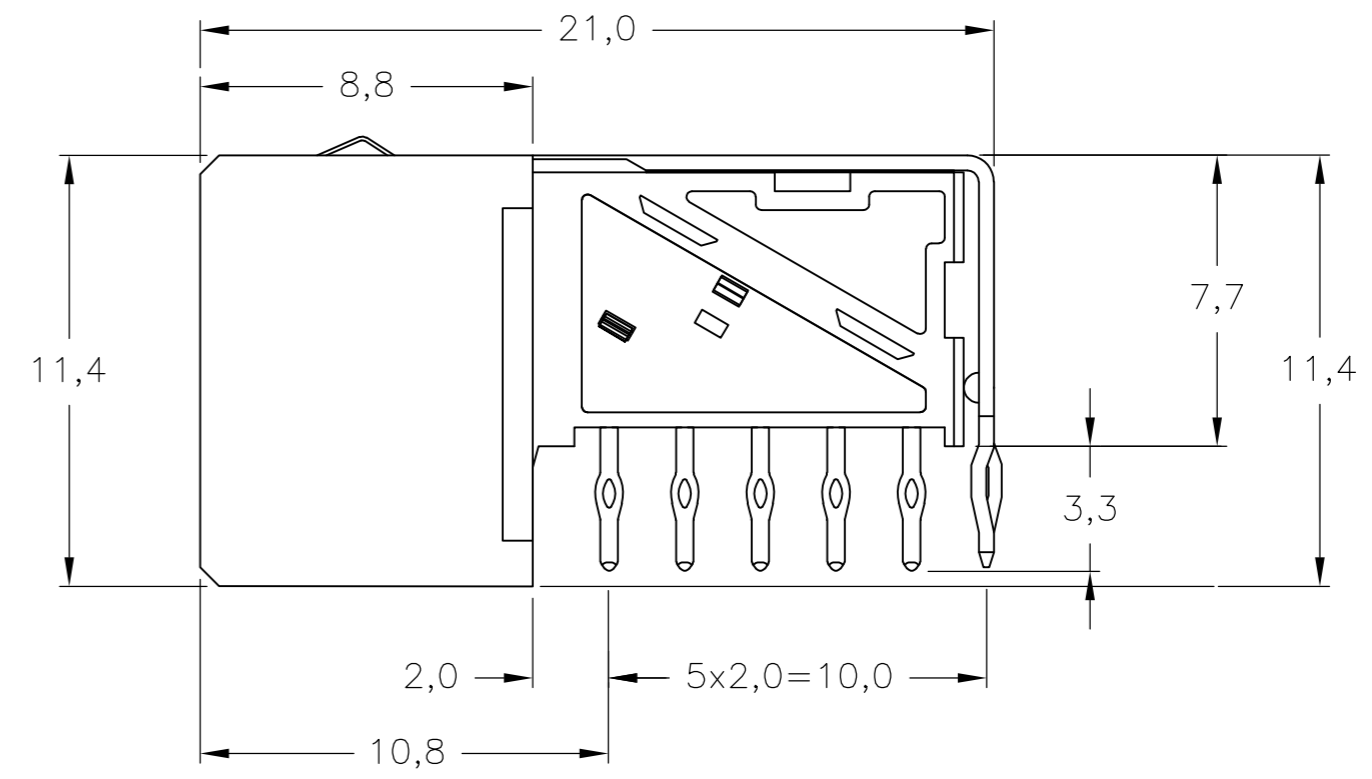
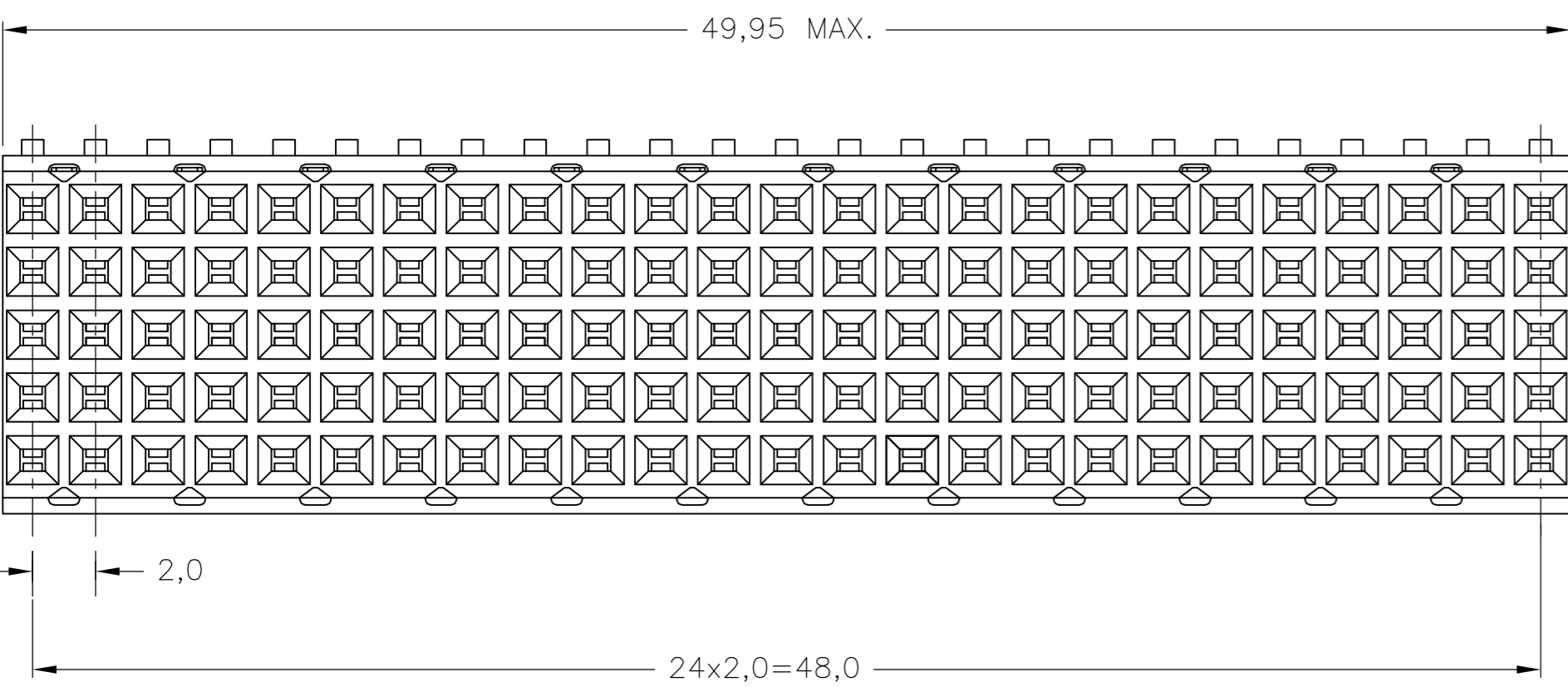


THIS DRAWING IS UNPUBLISHED. RELEASED FOR PUBLICATION
 © COPYRIGHT BY TYCO ELECTRONICS CORPORATION. ALL RIGHTS RESERVED.

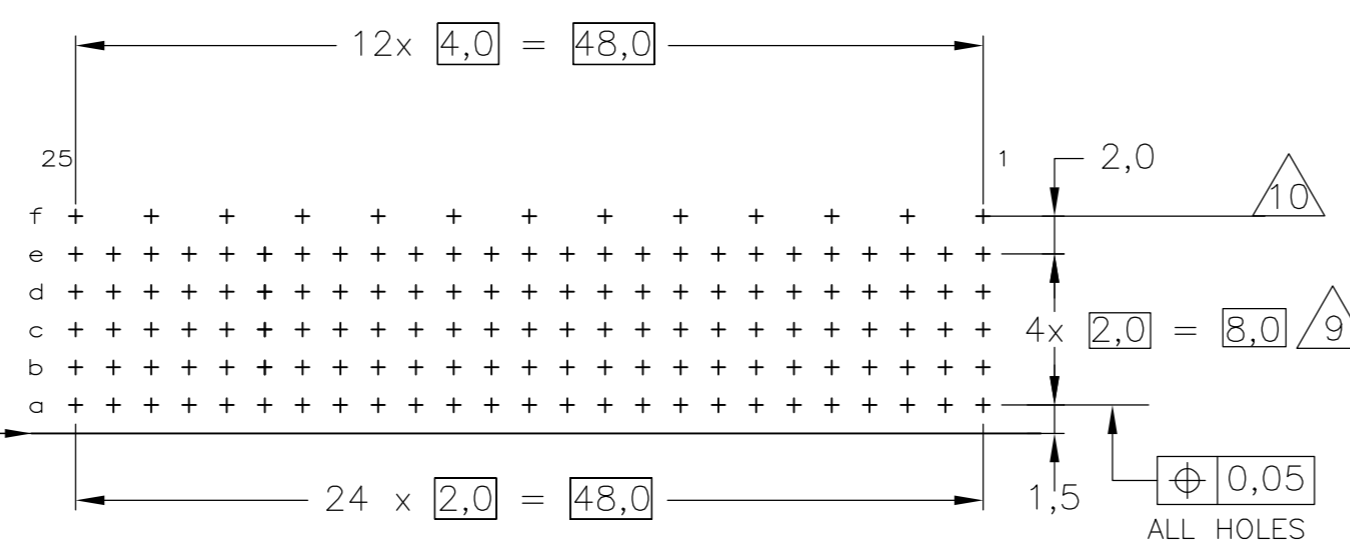
LOC		DIST		REVISIONS			
P	LTR	DESCRIPTION	DATE	DWN	APVD		
A1		ECR-07-024984	19OCT2007	JvH	JB		
B		ECR-10-018652	10SEP10	SW	MQW		
C		ECO-11-024491	13DEC11	SY	MQW		



- NOTES:
- 1 MATERIAL CONTACTS; PHOSPHORBRONZE
MATERIAL HOUSING; GLASSFILLED POLYESTER (GRAY)
 - 2 GENERAL PLATING SPECIFICATION: UNDERPLATING (ENTIRE CONTACT): 1,27µm NICKEL MIN. AND COMPLIANT PIN SECTION: 0,5µm TIN MIN. FOR PLATING OF MATING SURFACES SEE APPLICABLE SPECIFICATION REFERENCE FOR EACH DASH NUMBER.
 - 3 CONFORMS TO ALL TESTING ACCORDING IEC 61076-4-101 PERFORMANCE LEVEL 2.
 - 4 CONFORMS TO ALL TESTING ACCORDING IEC 61076-4-101 PERFORMANCE LEVEL 1.
 - 5 CONNECTOR TESTED AND QUALIFIED AGAINST TELCORDIA GR-1217-CORE QUALITY LEVEL III, CENTRAL OFFICE APPLICATIONS.
 - 6 CONNECTOR LUBRICATED WITH TELCORDIA APPROVED LUBRICANT.
 - 7 PLATING SHIELD:
CONTACT AREA : 0,76µm Au MIN.
COMPLIANT PIN SECTION: 0,5µm Sn MIN.
REMAINDER : Ni
 - 8 ASSEMBLY PRINTED WITH P/N AND DATECODE
THE MARKING CAN APPEAR ON THE FRONT SIDE OR BACK SIDE.
 - 9 HOLE PATTERN FOR FEMALE CONNECTOR TYPE B
125 PLATED-THROUGH HOLES AT 2x2mm SQUARE GRID
 - 10 ROW "f" 13 PLATED THROUGH HOLES FOR UPERSHIELD
 - 11 SHIELD MOUNTED ON CONNECTOR WITH DOUBLE SIDED ADHESIVE TAPE OR ADHESIVE.
BASIC P.N. LOWERSHIELD: 5338110
 - 12 REF.



COMPONENT SIDE AS SHOWN
RECOMMENDED PCB-HOLE LAY-OUT
SCALE 2,5:1



P.C.B. HOLE DIM. COMPLIANT PIN
FOR DETAILS SEE
APPLICATION SPECIFICATION

THIS DRAWING IS A CONTROLLED DOCUMENT.

DIMENSIONS:	TOLERANCES UNLESS OTHERWISE SPECIFIED:
mm	±0.2
MATERIAL	FINISH
-	-

DWN	J.van Hoek	23AUG2007	Tyco Electronics Corporation	
CHK	B.Mooij	23AUG2007	's-Hertogenbosch,5222AR-32V	
APVD	J.Broeksteeg	23AUG2007	NAME	
PRODUCT SPEC	108-19082	Z-PACK 2mm HM		
APPLICATION SPEC	114-19029	TYPE B - 25 COLUMNS		
WEIGHT	-	PRE-SHIELDED RECEPTACLE		
CUSTOMER DRAWING	SCALE 5:1	SHEET 1 OF 1	REV C	RESTRICTED TO

单击下面可查看定价，库存，交付和生命周期等信息

[>>TE Connectivity\(泰科\)](#)