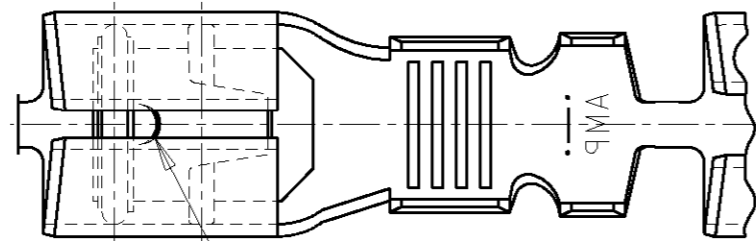
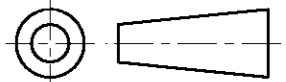


DO NOT SCALE

DIMENSIONS IN mm

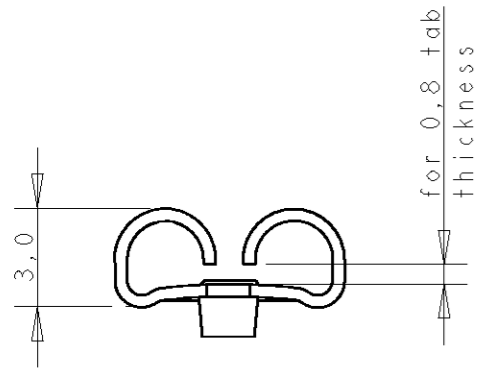
METRIC

THIRD ANGLE
PROJECTION

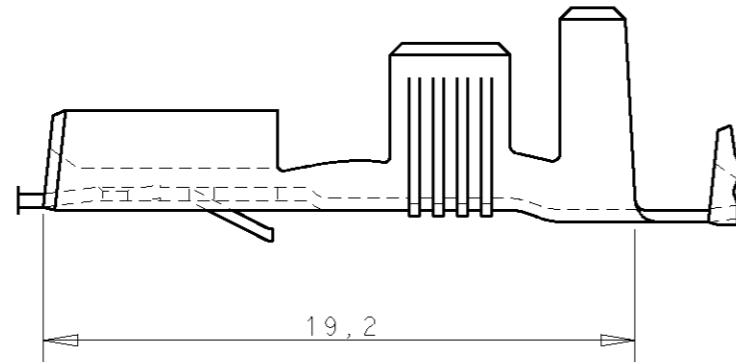


DIMPLE

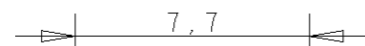
9MA



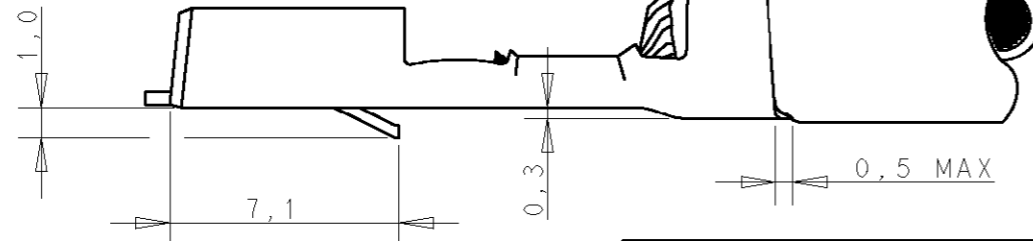
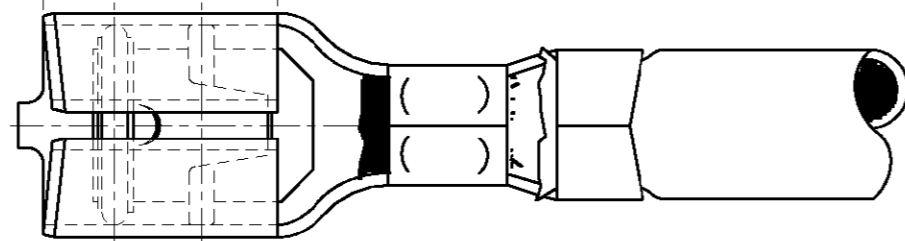
for 0,8 tab
thickness



19,2



7,7



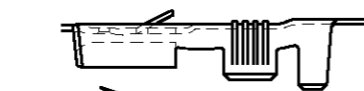
7,1

0,3

0,5 MAX

WIRE RANGE :
4,0-6,0 mm²
INSULATION RANGE :
3,4-5,1mm DIA.

DIRECTION OFF TOP OF REEL



Terminal "U" down.

NOTES:

1 PH.BRONZE ACC ASTM B103.

2 OBSOLETE PARTS: OBSOLETE CIS STREAMLINING PER D.RENAUD/D.SINISI

GENERAL TOLERANCES ±0.3

	NOTES	FINISH	MATERIAL	PARTNUMBER
OBSOLETE 2	1	PRE-TINPLATED	PH.BRONZE	160811-8
	1	PRE-TINPLATED	BRASS	160811-7
OBSOLETE 2	1	UNPLATED	PH.BRONZE	160811-8
	1	UNPLATED	BRASS	160811-7
OBSOLETE 2	1	SILVERPLATED	PH.BRONZE	160811-6
	1	SILVERPLATED	BRASS	160811-5
OBSOLETE 2	1	TINPLATED	PH.BRONZE	160811-4
	1	UNPLATED	PH.BRONZE	160811-3
	1	TINPLATED	BRASS	160811-2
	1	UNPLATED	BRASS	160811-1

					CUSTOMER DRAWING		FOR REFERENCE ONLY WILL NOT BE UPDATED		
					© COPYRIGHT 19- BY AMP HOLLAND B.V.		ALL INTERNATIONAL RIGHTS RESERVED. AMP PRODUCTS MAY BE COVERED BY U.S. AND FOREIGN AND/OR PATENTS PENDING.		
					THIS DRAWING IS UNPUBLISHED		RELEASED FOR PUBLICATION		
					AMP		Tyco Electronics AMP Barcelona, Spain		
					NAME		6,3 SRS FASTIN-ON RECEPTACLE		
LTR. REVISION RECORD		DR. CHK. DATE		DWG. No.		REV. LTR.		SHEET	
DR.: D.KESSLER		CHK.: P.BEIJNON		APP.: L.v.SOEST		160811		G1	
DATE: 21-06-94		DATE: -		DATE: -				1 OF 1	
								A3	

单击下面可查看定价，库存，交付和生命周期等信息

[>>TE Connectivity\(泰科\)](#)