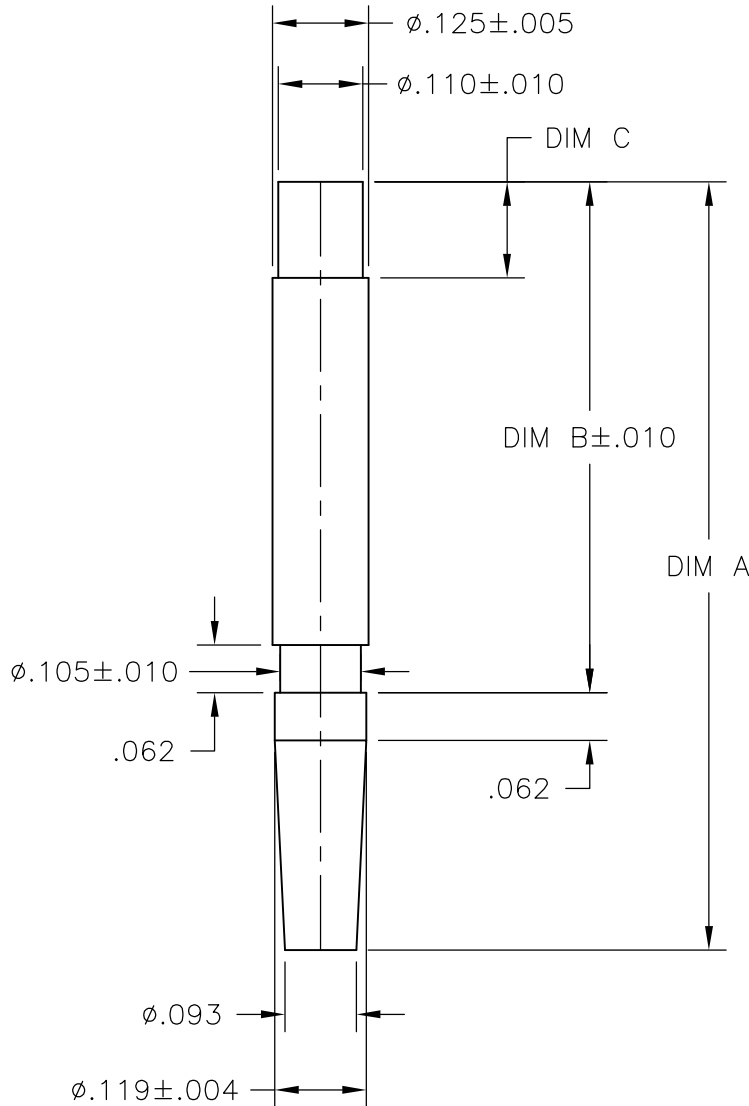


REVISIONS				
P	LTR	DESCRIPTION	DATE	APVD
	H2	REVISED PER ECO-16-004223	20JUL2016	NK MZ

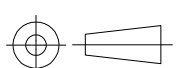


OBSOLETE	-	.486	.821	FLUSH MOUNT FOR STANDARD RECEPTACLE. STANDARD PACKAGING	200821-4
OBSOLETE	.067	.607	.942	FLUSH MOUNT FOR STANDARD PLUG. STANDARD PACKAGING	200821-3
OBSOLETE	.125	.665	1.000	SMALL PACK PACKAGING	200821-2
	.125	.665	1.000	STANDARD PACKAGING	200821-1
	DIM C	DIM B	DIM A	DESCRIPTION	PART NO.

THIS DRAWING IS UNPUBLISHED. ALL RIGHTS RESERVED.

COPYRIGHT - By -

DIMENSIONS: INCHES	DWN	05FEB03	MATERIAL	NYLON	FINISH	-
	CHK	2/25/93				
TOLERANCES UNLESS OTHERWISE SPECIFIED:	APVD	2/25/93				
0 PLC ± -	PRODUCT SPEC	-	NAME			
1 PLC ± -	APPLICATION SPEC	-	KEYING PLUG			
2 PLC ± -	WEIGHT	-	CONTACT SIZE 16 & 20, M SERIES			
3 PLC ± .005			SIZE	CAGE CODE	DRAWING NO	RESTRICTED TO
4 PLC ± -			A4	00779	C-200821	-
ANGLES ± -			CUSTOMER DRAWING			SCALE
						4:1
						SHEET
						1 OF 1
						REV
						H2



单击下面可查看定价，库存，交付和生命周期等信息

[>>TE Connectivity\(泰科\)](#)